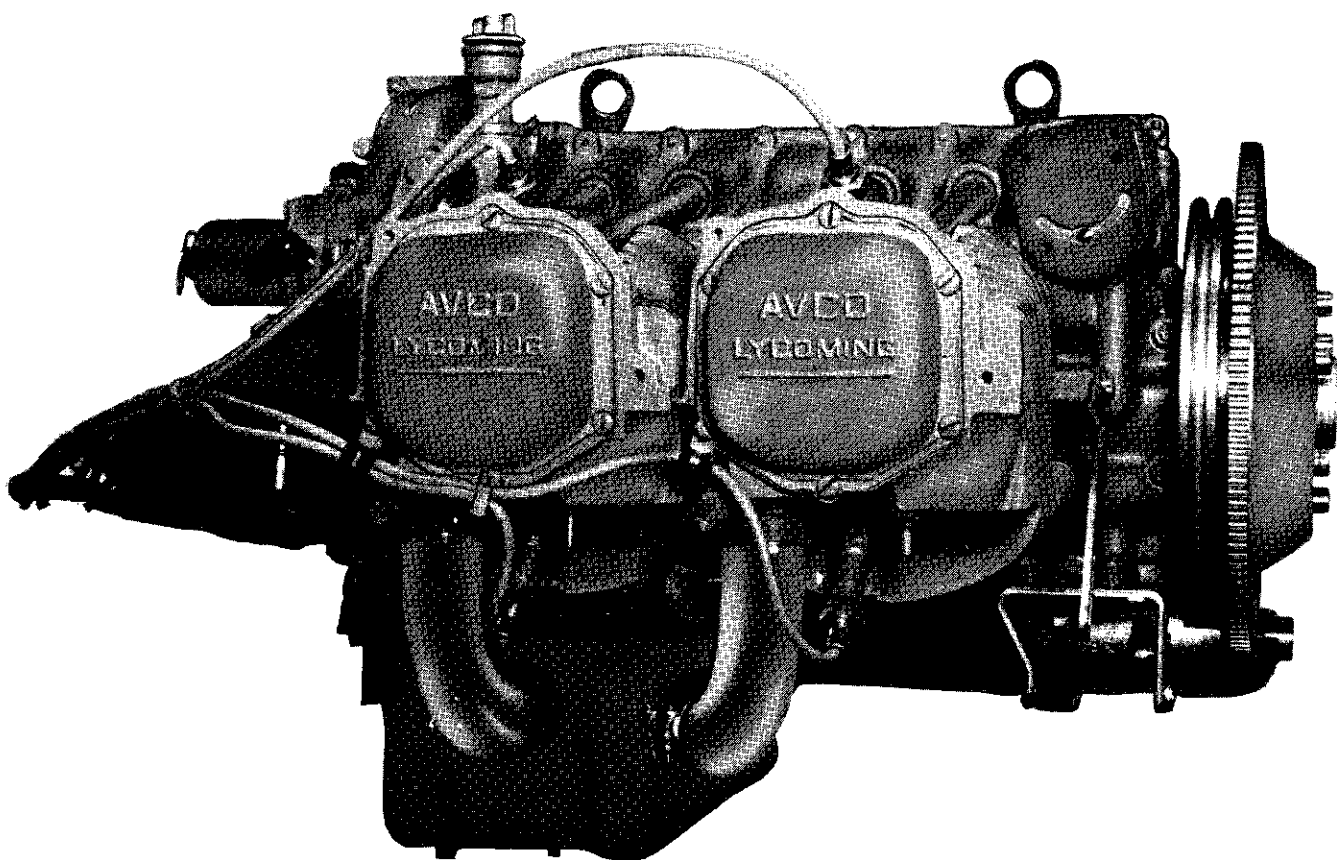


AVCO LYCOMING

76 SERIES

PARTS CATALOG



O-320-H SERIES AIRCRAFT ENGINES

AVCO LYCOMING WILLIAMSPORT DIVISION
AVCO CORPORATION
WILLIAMSPORT, PENNSYLVANIA 17701

PC-122



April 1976

INTRODUCTION

The Avco Lycoming 76 series O-320-H model engine depicted herein employs a modern unitized design crankcase. This incorporates all accessory drives in the crankcase eliminating a separate accessory housing and providing a compact, lightweight power unit.

The parts catalog is constructed in the same familiar format as previous catalogs, the only difference being that the accessory drives section is now integrated with the Crankcase Group in Section 1.

An oversize and undersize parts list shows available parts and their sizes.

A Numerical Index is provided for convenience in finding parts when only the part number is known.

Complete coverage of Vendor Accessories used on Avco Lycoming engines may be secured by referring to the publications listed in footnotes in this catalog on the page where the accessories are installed. A complete list of Vendor publications may also be found by referral to Service Letter No. L114.

NOTE

The illustrations, pictures and drawings shown in this publication, are typical of the subject matter they portray; in no instance are they to be interpreted as examples of any specific engine, equipment or part thereof.

SERVICE BULLETINS, INSTRUCTIONS AND LETTERS

Although the information contained in this parts catalog is up-to-date at time of publication, users are urged to keep abreast of later information through Avco Lycoming Service Bulletins, Instructions and Service Letters which are available through all Avco Lycoming Distributors or from the factory by subscription. Consult the latest edition of Service Letter No. L114 for subscription information.

O-320-H SERIES

TABLE OF CONTENTS

SECTION	PAGE
Introduction	i
Table of Contents	ii
List of Available Oversize and Undersize Parts	iii
1 - Crankcase, Crankshaft and Camshaft Group	
Crankcase Assembly	1-1
Crankcase Related Parts	1-2
Crankshaft, Camshaft and Tachometer Drive	1-3
Crankcase Attaching Parts	1-4
Oil Pump and Vacuum Pump Drive	1-5
Oil Filter and Fuel Pump Assembly	1-6
2 - Cylinder, Piston and Valve Train	
Connecting Rod, Piston and Piston Rings	2-1
Cylinder Assembly	2-2
Valve Assembly	2-3
Push Rods, Rocker Arms and Hydraulic Lifters	2-4
Cylinder Head Drain Tubes and Intercylinder Baffles	2-5
3 - Ignition System	
Magneto Drive and Magneto System	3-1
4 - Electrical System	
Alternator Bracket and Starting Motor	4-1
5 - Oil Sump and Induction System	
Oil Sump Assembly	5-1
Intake Pipes and Carburetor	5-2
6 - Service Replacement Section	
Seal and Gasket Set	6-1
Cylinder, Piston and Ring Kit	6-2
7 - Numerical Index	7-1

**O-320-H SERIES
AIRCRAFT ENGINES**

LISTING OF PROCURABLE OVERSIZE AND UNDERSIZE PARTS

PART NO.	OVERSIZE															UNDERSIZE		
	P2	P3	P5	P6	P7	P10	P11	P12	P15	P20	P22	P30	P33	P75	P125	M3	M6	M10
61662																X	X	X
66145						X				X								
66796						X												
72057			X			X				X		X						
72058			X			X				X		X						
72063			X			X				X								
72065			X			X				X								
76943						X				X		X						
77160						X				X		X						
LW-14105																X	X	X

NOTE 1

Studs are available in P3, P7 and P12. Pistons and piston rings are available in P10 and P20.

NOTE 2

When ordering oversize or undersize parts, be sure and specify the required oversize or undersize dimensions, along with the proper part number. For example: to order bushing P/N 72063 in .010 inch oversize, order P/N 72063 P10. To order bearing P/N 61662 in .003 inch undersize, order P/N 61662 M3. Code letter P stands of oversize, while code letter M means undersize.

AVCO LYCOMING 76 SERIES O-320-H PARTS CATALOG

CRANKCASE, CRANKSHAFT AND CAMSHAFT GROUP CRANKCASE ASSEMBLY

FIG. REF.	PART NUMBER	DESCRIPTION	ON ALL	QUANTITY PER ASSEMBLY																			
				HEAD																			
1	LW-15343	CRANKCASE ASSEMBLY		1																			
2	LW-15045	BUSHING, Magneto drive		1																			
3	LW-15276	STUD, 1/2-20 x 10-23/32 long		2																			
4	LW-15277	STUD, 1/2-13 x 8-3/4 long		4																			
5	50-15	STUD, 1/2-20 x 1-7/8 long		8																			
6	38-13	STUD, 3/8-16 x 1-5/8 long		16																			
7	STD-557	DOWEL, 25/64 ID x 1/2 OD x 11/16 hollow		3																			
8	61261	STUD, 5/16-18 x 1-1/2 long		8																			
9	67528	STUD, 5/16-18 x 1-5/8 long		1																			
10	1102	PLUG, 1/8-27 NPT		2																			
11	STD-1339	PLUG, 1/16-27 NPT		1																			
12	MS9048-224	ROLL PIN, 1/4 dia. x 1/2 long		1																			
13	STD-405	PLUG, 1/8-27 NPT, sq. hd., drilled		1																			

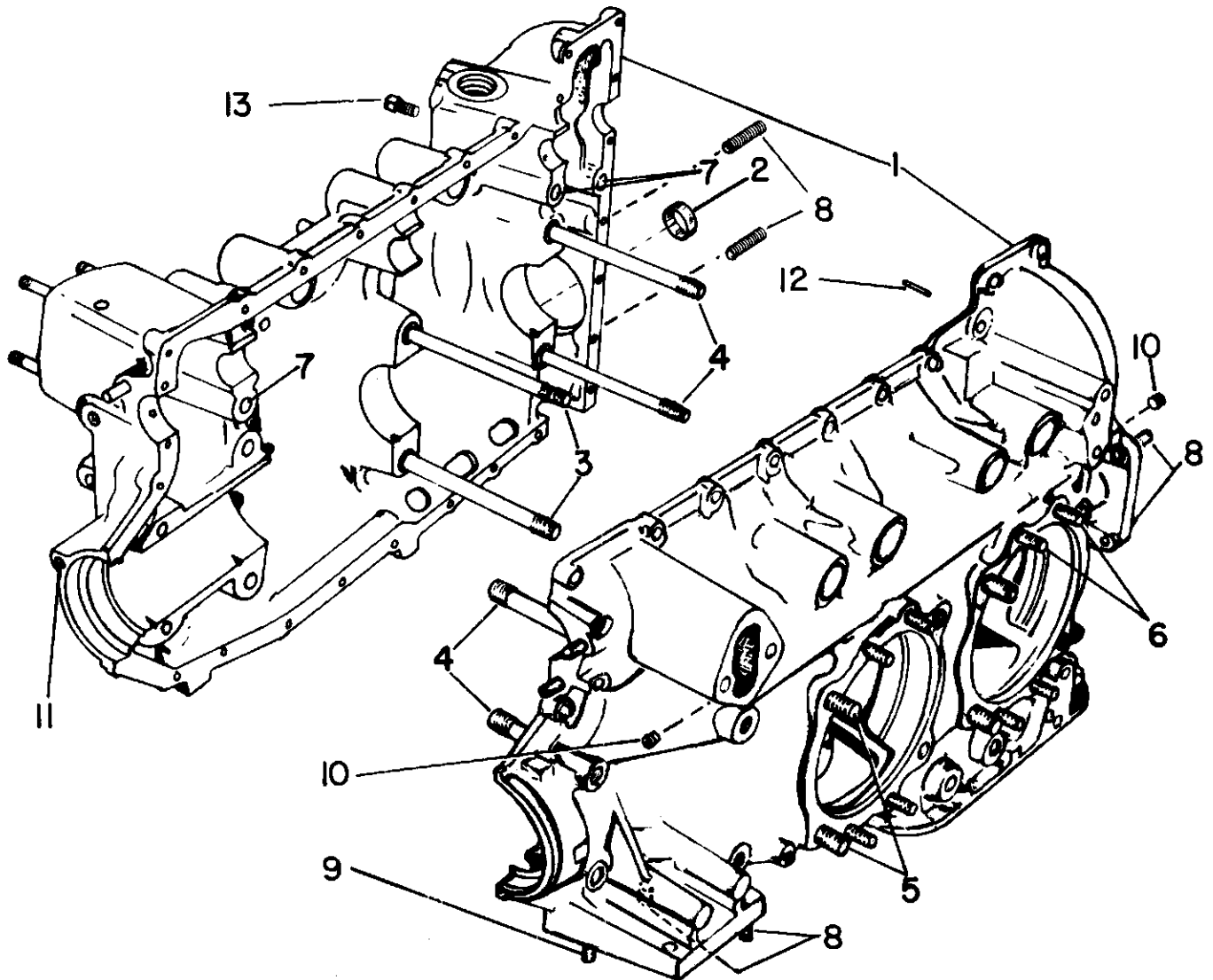
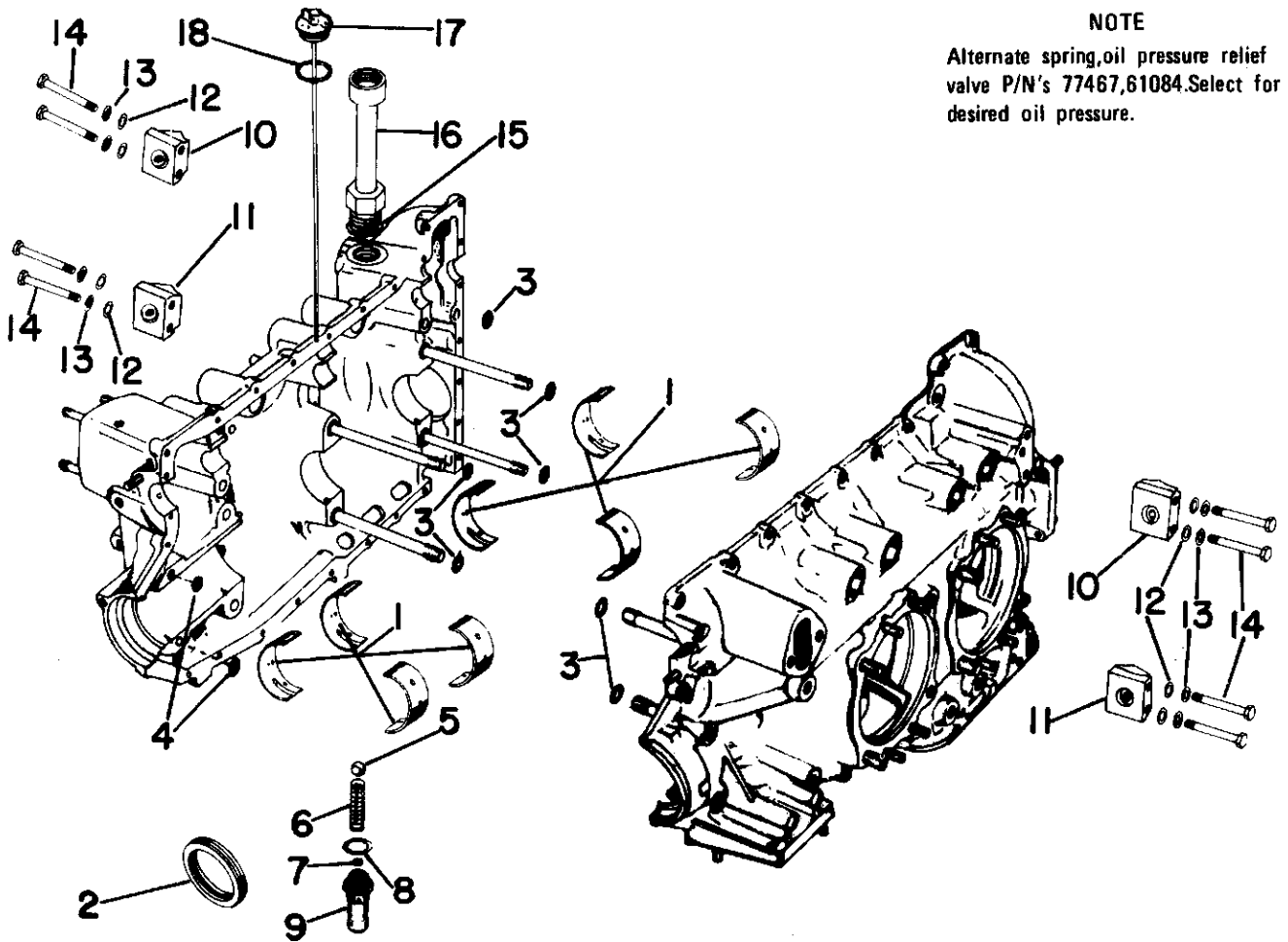


Figure 1
1-1

CRANKCASE, CRANKSHAFT AND CAMSHAFT GROUP CRANKCASE RELATED PARTS

FIG. REF.	PART NUMBER	DESCRIPTION	ON ALL HEADS	QUANTITY PER ASSEMBLY																		
				1	2	3	4	5	6	7	8	9	10	11	12							
2																						
1	LW-14105	BEARING, Crankshaft		8																		
2	LW-13792	SEAL, Crankshaft oil		1																		
3	72075	RING, Oil seal, 7/16 ID x 3/32 section		7																		
4	72091	RING, Oil seal, 3/8 ID x 7/64 section		2																		
5	1028-B	BALL, 11/16 dia.		1																		
6	68668	SPRING, Oil press. relief valve		1																		
7	STD-425	WASHER, No. 10 plain (max. 9)		un																		
8	STD-1045	GASKET, 1-1/4 ID x 1-1/2 OD x 3/32		1																		
9	76529	PLUG, Oil relief valve		1																		
10	LW-13290	BRACKET, Engine mounting, upper		2																		
11	LW-13291	BRACKET, Engine mounting, lower		2																		
12	STD-33	WASHER, 3/8 plain		8																		
13	STD-678	WASHER, 3/8 lock		8																		
14	LW-38-2.75	BOLT, 3/8-16 x 2-3/4 long, hex. hd.		8																		
15	70457	GASKET, Oil filler extension		1																		
16	75675	EXTENSION, Oil filler		1																		
17	LW-14784	GAGE ASSY., Oil level		1																		
18	72220	GASKET, Oil level gage		1																		



NOTE
Alternate spring, oil pressure relief valve P/N's 77467, 61084. Select for desired oil pressure.

Figure 2
1-2

AVCO LYCOMING 76 SERIES O-320-H PARTS CATALOG

CRANKCASE, CRANKSHAFT AND CAMSHAFT GROUP CRANKSHAFT, CAMSHAFT AND TACHOMETER DRIVE

FIG. REF.	PART NUMBER	DESCRIPTION	QUANTITY PER ASSEMBLY																	
			ON ALL HEAD																	
1	LW-14659	CRANKSHAFT ASSEMBLY	1																	
2	STD-1211	PLUG, 2.00 dia.expansion	1																	
3	LW-14658	CRANKSHAFT, Sub assembly	1																	
4	72065	BUSHING, Propeller flange	1																	
5	72063	BUSHING, Propeller flange	5																	
6	66145	DOWEL, 1/4 dia.x 1/2 long	1																	
7	LW-15269	GEAR, Crankshaft	1																	
8	LW-15336	CAMSHAFT ASSEMBLY	1																	
9	STD-1066	DOWEL, Stepped 5/16 and 1/4 dia. x 13/32 long	1																	
10	LW-15032	SHAFT ASSY., Tachometer	1																	
11	STD-2169	ROLL PIN, 3/16 dia.x 1-1/8 long	1																	
12	LW-15031	GEAR, Camshaft	1																	
13	72078	LOCKPLATE, 5/16 bolt x 1-11/32 spacing	2																	
14	STD-703	BOLT, 5/16-24 x 9/16 long, hex.hd.	4																	
15	LW-15261	ADAPTER, Tachometer	1																	
16	72312	"O"-RING, Oil seal 1/8 dia.sect.x 1.00 ID	1																	
17	LW-15260	RETAINER SEAL TACH.DRIVE	1																	
18	MS16624-1087	RING, Retaining external	1																	
19	LW-14260	SEAL, Oil tachometer shaft	1																	
20	76628	SUPPORT ASSY., Starter ring gear	1																	
21	72566	GEAR, Starter ring 12/14 pitch	1																	
22	LW-15379	BREATHER BAFFLE	1																	

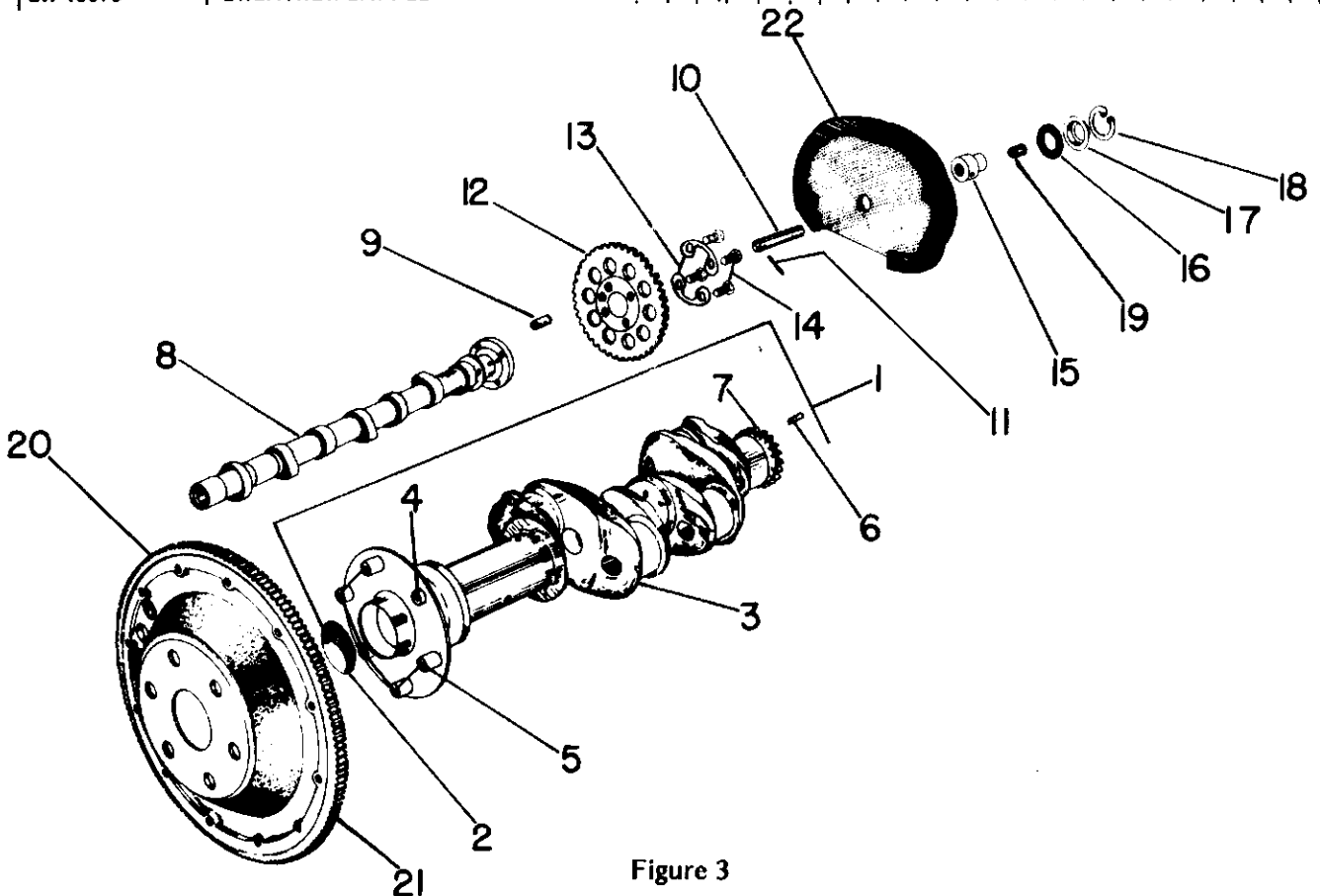


Figure 3
1-3

CRANKCASE, CRANKSHAFT AND CAMSHAFT GROUP
CRANKCASE ATTACHING PARTS

FIG. REF.	PART NUMBER	DESCRIPTION	ON ALL HEADS	QUANTITY PER ASSEMBLY																			
				1	2	3	4	5	6	7	8	9	10	11	12								
4																							
1	AN6-36A	BOLT, 3/8-24 x 3-13/16 long,hex.hd.	2																				
2	STD-33	WASHER, 3/8 plain	4																				
3	STD-678	WASHER, 3/8 internal lock	2																				
4	STD-596	NUT, 3/8-24 plain	2																				
5	STD-1215	BOLT, 1/4-20 x 1-1/4 long,hex.hd.	16																				
6	STD-2103	BOLT, 1/4-20 x 3-3/8 long,hex.hd.	4																				
7	STD-8	WASHER, 1/4 plain	20																				
8	STD-160	WASHER, 1/4 internal lock	20																				
9	STD-395	BOLT, 1/4-20 x 1-1/4 hex.hd.,dr.hd.	3																				
10	STD-8	WASHER, 1/4 plain	3																				
11	LW-15063	EYE, Lifting	2																				
12	STD-2047	BOLT, 1/4-20 x 1-3/8 long,hex.hd.	2																				
13	STD-160	WASHER, 1/4 internal lock	2																				

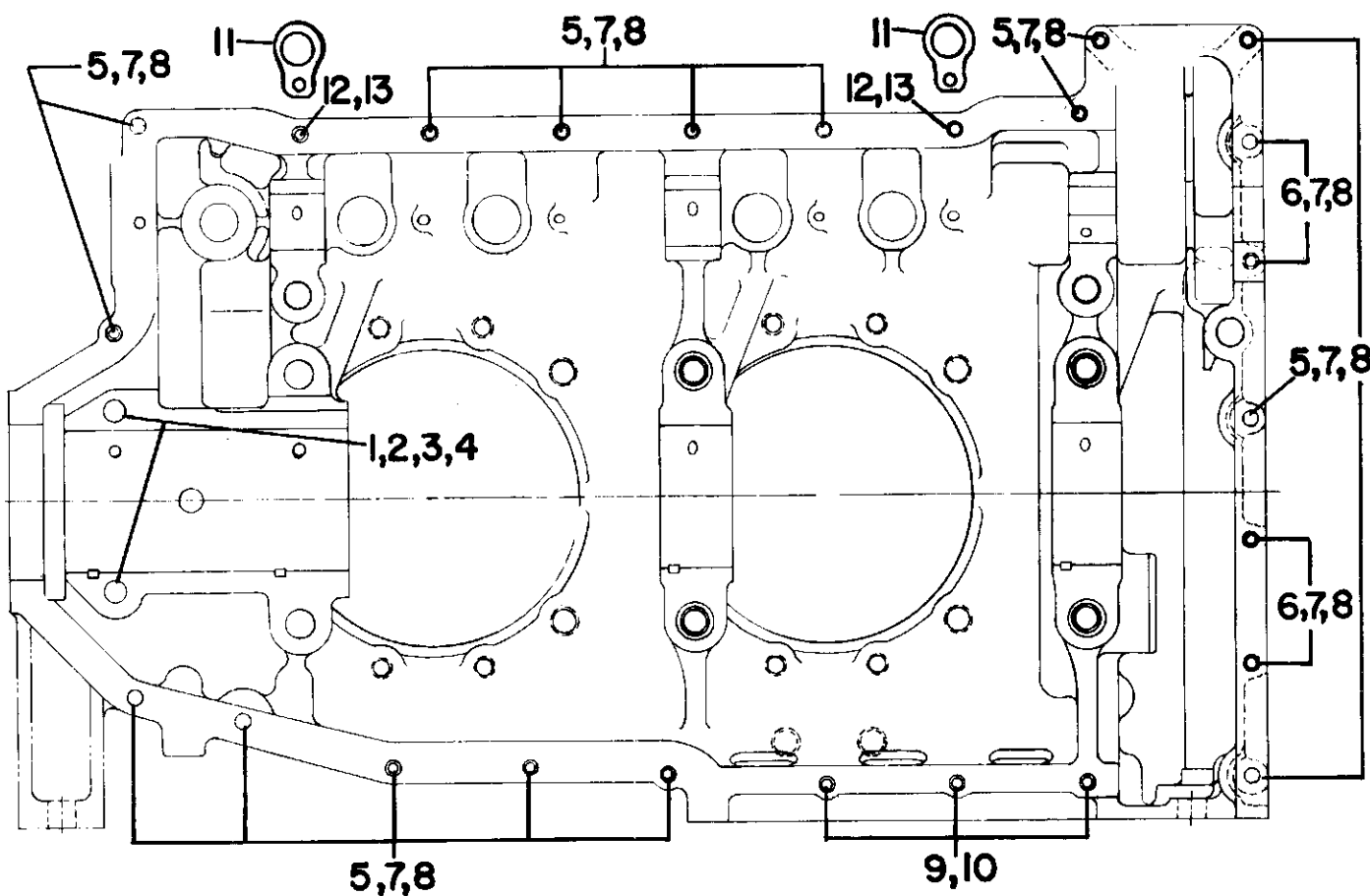


Figure 4
1-4

AVCO LYCOMING 76 SERIES O-320-H PARTS CATALOG

CRANKCASE, CRANKSHAFT AND CAMSHAFT GROUP OIL PUMP AND VACUUM PUMP DRIVE

FIG. REF.	PART NUMBER	DESCRIPTION	ON ALL	QUANTITY PER ASSEMBLY																	
				HEAD																	
1	LW-15345	SHAFT, Oil and vacuum pump drive		1																	
2	STD-2057	KEY, 5/8 dia.x 5/32 Woodruff		1																	
3	LW-15263	GEAR, Oil pump drive		1																	
4	STD-1063	NUT, 9/16-18 x 9/32 high		1																	
5	LW-15262	LOCKPLATE, Oil pump gear		1																	
6	LW-15068	IMPELLER ASSY., Oil pump driven		1																	
7	LW-15347	IMPELLER, Oil pump driving		1																	
8	LW-15070	SEAL, "O" ring 3-1/2 ID x 7/64 sect.		1																	
9	LW-15143	BODY ASSY., Oil pump and vacuum pump drive		1																	
10	25C-12	STUD, 1/4-20 x 1-1/2 long		4																	
11	STD-557	DOWEL, 25/64 ID x 1/2 OD x 11/16 hollow		1																	
12	66145	DOWEL, 1/4 dia.x 1/2 long		1																	
13	STD-208	OIL SEAL, 7/8 ID x 1-1/2 OD .x 5/16 wide		1																	
14	STD-35	WASHER, 5/16 plain		4																	
15	STD-475	WASHER, 5/16 internal lock		4																	
16	STD-1410	NUT, 5/16 plain		4																	
17	8313	GASKET, Vacuum pump		1																	
18	60430	COVER, Vacuum pump		1																	
19	STD-8	WASHER, 1/4 plain		4																	
20	STD-160	WASHER, 1/4 internal lock		4																	
21	STD-1411	NUT, 1/4-20 plain		4																	

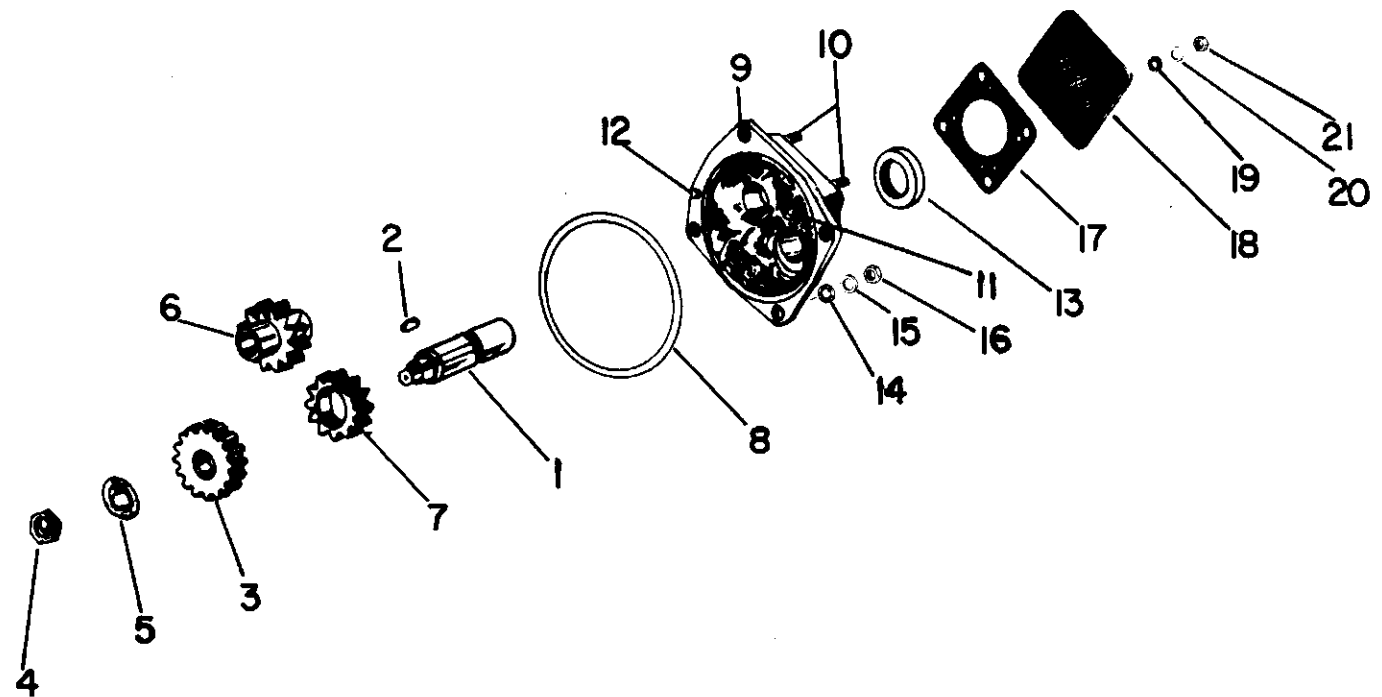


Figure 5
1-5

AVCO LYCOMING 76 SERIES O-320-H PARTS CATALOG

CRANKCASE, CRANKSHAFT AND CAMSHAFT GROUP OIL FILTER AND FUEL PUMP ASSEMBLY

FIG. REF.	PART NUMBER	DESCRIPTION	ON ALL	QUANTITY PER ASSEMBLY										
				1	2	3	4	5	6	7	8	9	10	
6				HEAD										
1	62817	SCREEN ASSY., Oil pressure		1										
2	LW-15046	GASKET, Oil filter adapter		1										
3	LW-13224	ADAPTER, Oil cooler		1										
4	61173	GASKET, Oil pressure housing		1										
5	68974	HOUSING, Oil pressure screen		1										
6	STD-8	WASHER, 1/4 plain		4										
7	LW-25W-2.00	BOLT, 1/4-20 x 2.00 long,drilled hd.		4										
8	69436	SPRING, Oil cooler bypass		1										
9	62415	PLUNGER, Oil cooler bypass		1										
10	STD-294	GASKET, 7/8 OD x 5/8 ID x 3/32 annular		1										
11	62417	PLUG, Oil cooler bypass		1										
12	MS20822-8	ELBOW, 1/2 tube x 3/8 pipe,90° (inlet)		1										
13	MS20823-8	ELBOW, 1/2 tube x 3/8 pipe,45° (outlet)		1										
14	AN840-12D	BREATHER, Fitting		1										
15	60096	GASKET, Fuel pump		1										
16	65098	COVER, Fuel pump		1										
17	STD-33	WASHER, 3/8 plain		2										
18	STD-1592	BOLT, Hex.hd.,dr.hd.,3/8-16 x 3/4 in.long		2										

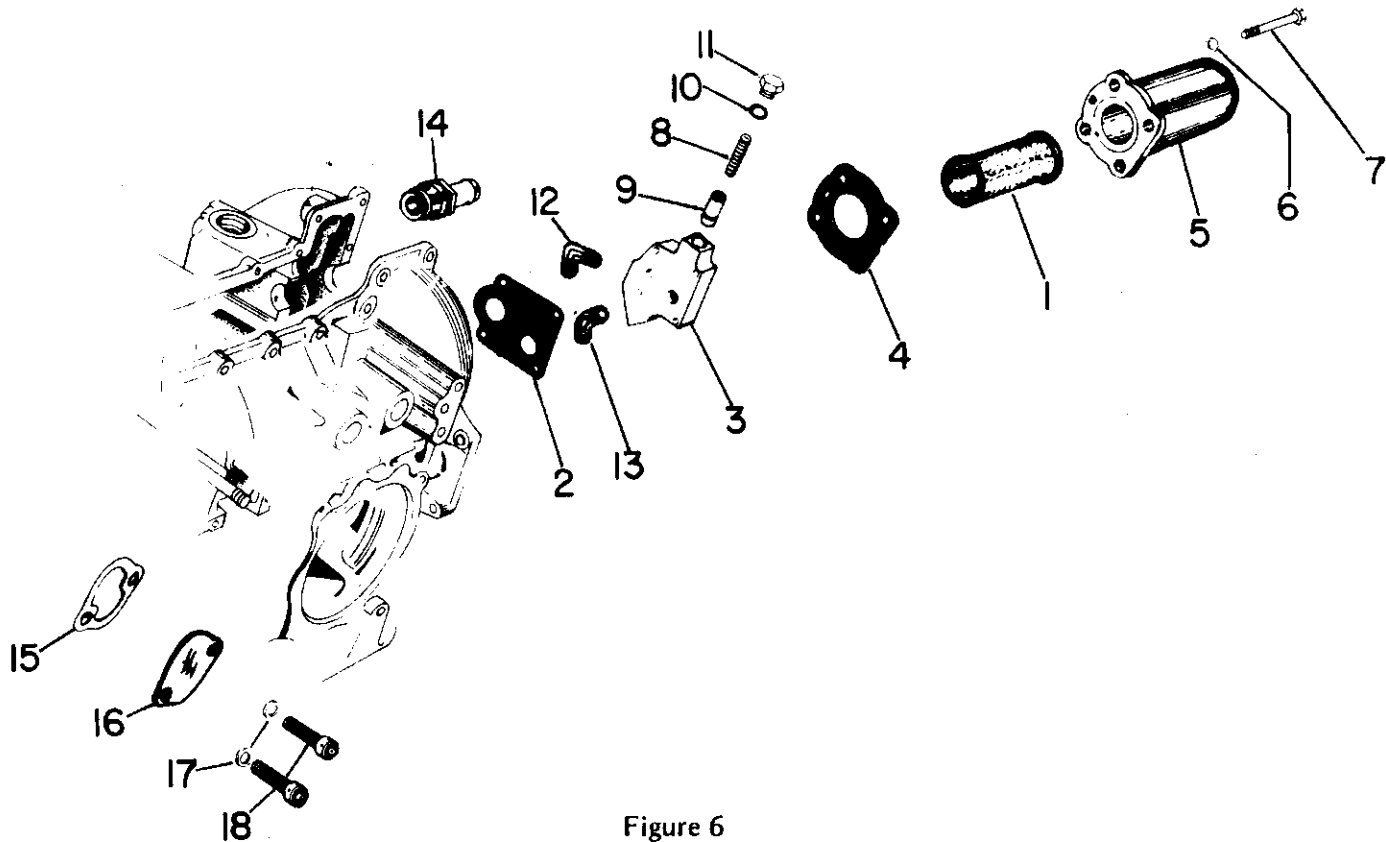


Figure 6
1-6

AVCO LYCOMING 76 SERIES O-320-H PARTS CATALOG

CYLINDER, PISTON AND VALVE TRAIN CONNECTING ROD, PISTON AND PISTON RINGS

FIG. REF.	PART NUMBER	DESCRIPTION	ON ALL	QUANTITY PER ASSEMBLY																		
				HEAD																		
1	78030	ROD ASSEMBLY, Connecting		4																		
2	LW-13923	BUSHING, Connecting rod, upper		4																		
3	78027	BOLT, Connecting rod		8																		
4	LW-12186	NUT, Connecting rod		8																		
5	61662	BEARING, Connecting rod		8																		
6	LW-15357	PISTON, Compression ratio 9.0:1		4																		
7	LW-14078	PIN, Piston		4																		
8	60828	PLUG, Piston		8																		
9	74241	RING, Piston compression		8																		
10	73857	RING, Piston oil regulating		4																		

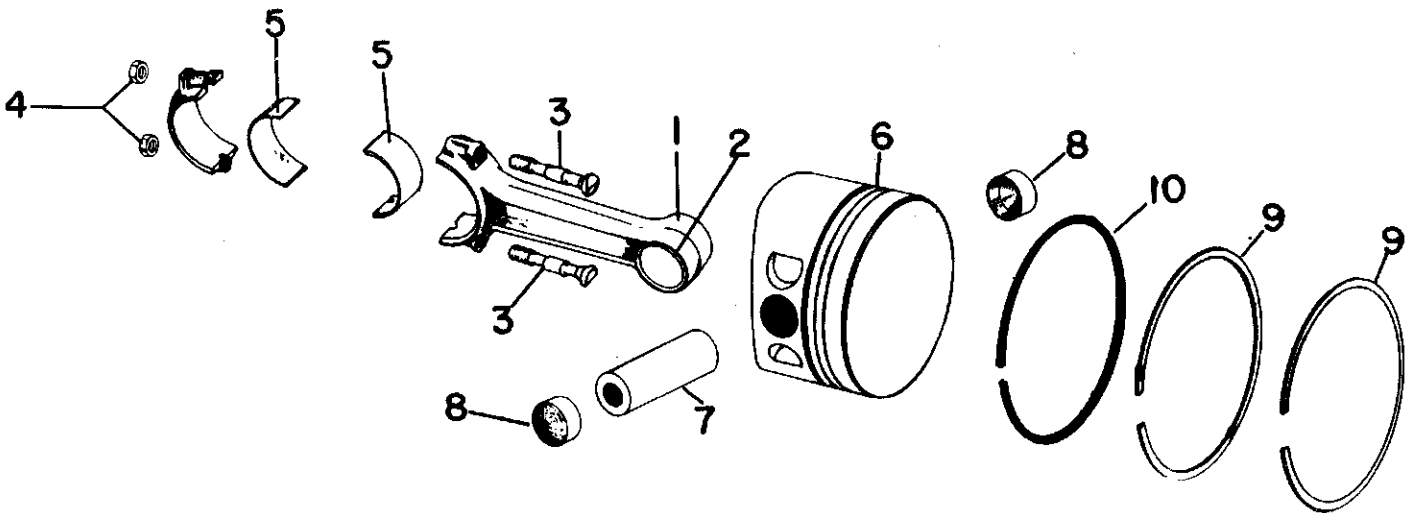


Figure 7
2-1

AVCO LYCOMING 76 SERIES O-320-H PARTS CATALOG

CYLINDER, PISTON AND VALVE TRAIN CYLINDER ASSEMBLY

FIG. REF.	PART NUMBER	DESCRIPTION	ON ALL	QUANTITY PER ASSEMBLY																
				1	2	3	4	5	6	7	8	9	10	11	12					
8																				
1	LW-15318	CYLINDER AND HEAD ASSY., Nitrided		4																
2	72057	SEAT, Intake valve		4																
3	72058	SEAT, Exhaust valve		4																
4	76943	GUIDE, Valve intake		4																
5	77160	GUIDE, Valve exhaust		4																
6	66796	INSERT, Spark plug 18-1-1/2mm		8																
7	STD-1872	INSERT, 1/8-27 heli-coil		8																
8	61261	STUD, 5/16-18 x 1-1/2 long		8																
9	68510	STUD, 5/16-18 x 1-1/16 long		4																
10	LW-15360	ELBOW, 1/4-18 x 1/2 tube, 45°		4																
11	31-16	STUD, 5/16-18 x 2.00 long		8																
12	1102*	PLUG, 1/8-27 NPT		un																

* - 1102 plugs are used as necessary when primers or fuel injection nozzles are not used.

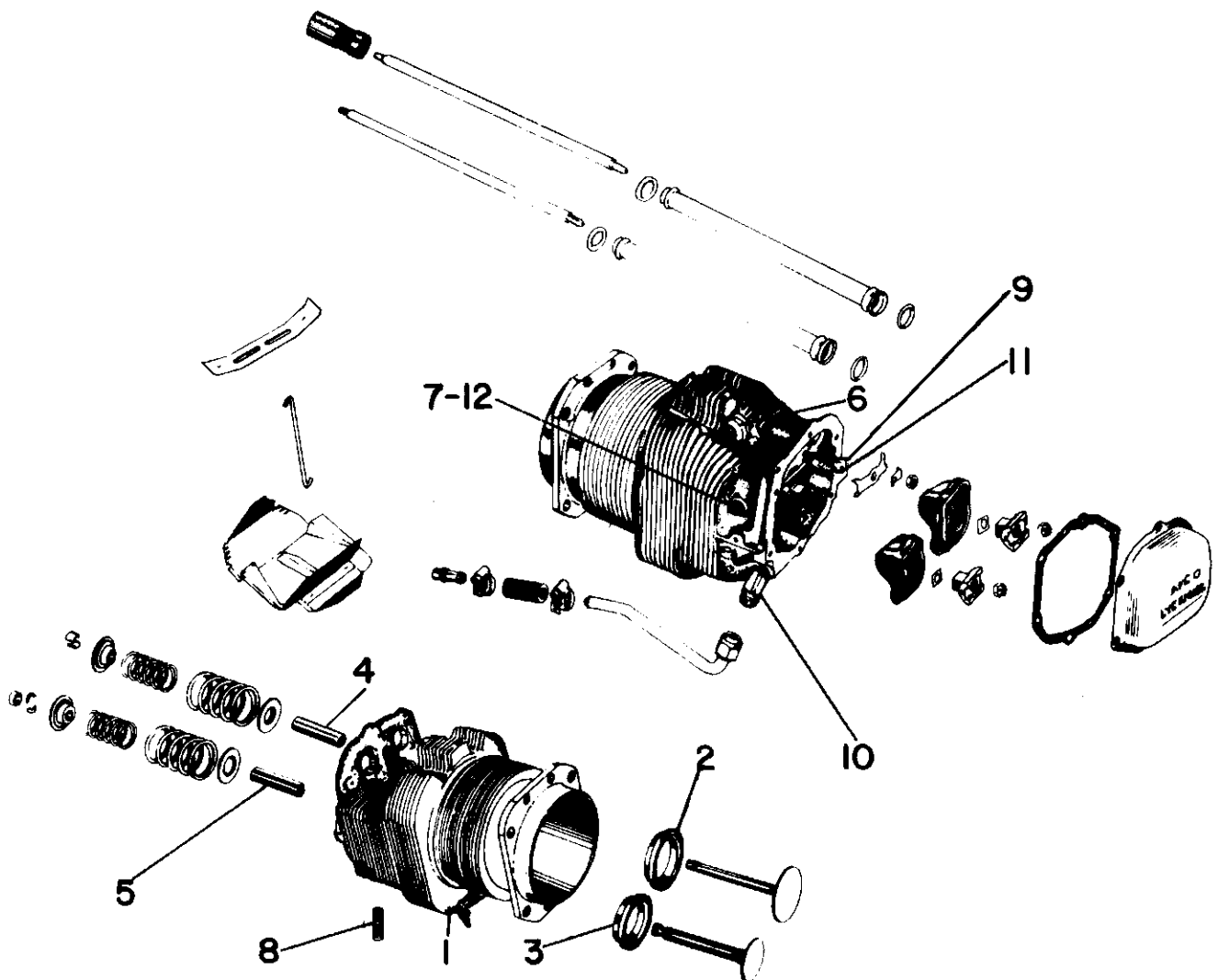


Figure 8
2-2

AVCO LYCOMING 76 SERIES O-320-H PARTS CATALOG

CYLINDER, PISTON AND VALVE TRAIN VALVE ASSEMBLY

FIG. REF.	PART NUMBER	DESCRIPTION	ON ALL	QUANTITY PER ASSEMBLY																
				1	2	3	4	5	6	7	8	9	10	11	12					
9																				
1	LW-15314	VALVE, Intake	4																	
2	74541	VALVE, Exhaust	4																	
3	LW-11795	SPRING, Valve inner	8																	
4	LW-11800	SPRING, Valve outer	8																	
5	65441	SEAT, Valve spring lower intake	4																	
6	LW-13323	SEAT, Valve spring lower exhaust	4																	
7	LW-10077	SEAT, Valve spring upper intake	4																	
8	LW-10076	SEAT, Valve spring upper exhaust (rotator)	4																	
9	60009	KEY, Valve intake	8																	
10	MS13997-3	KEY, Valve exhaust (rotator)	8																	
11	LW-15316	CAP, Valve exhaust (rotator)	4																	
12	LW-15281	TUBE, Push rod, shroud	8																	
13	LW-13428	SPRING, Shroud tube	4																	
14	LW-12272	LOCKPLATE, Shroud tube	4																	
15	STD-1411	NUT, 1/4-20 plain	4																	
16	LW-15280	SEAL, Shroud tube	8																	
17	70310	SEAL, Shroud tube	8																	

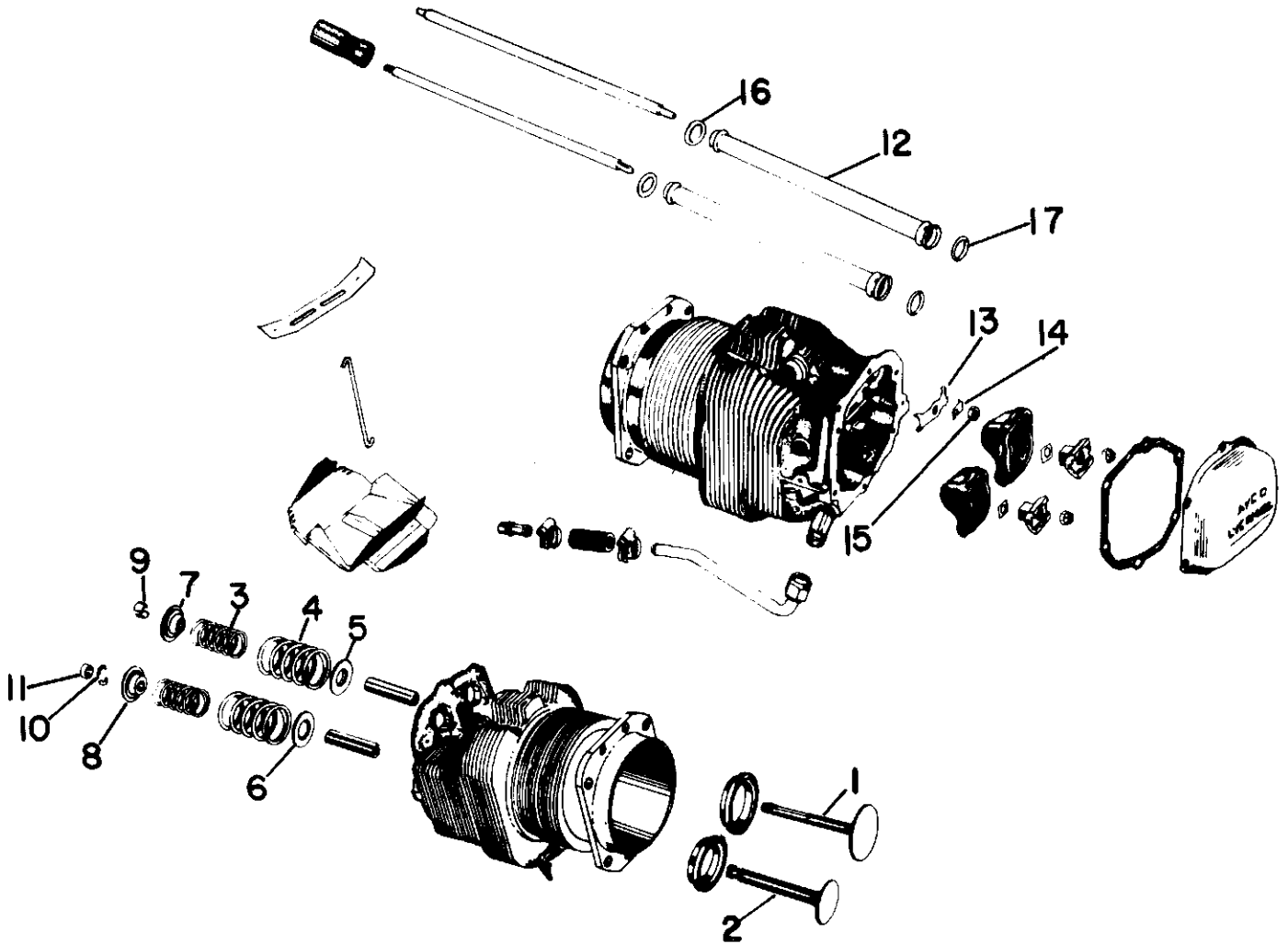


Figure 9
2-3

AVCO LYCOMING 76 SERIES O-320-H PARTS CATALOG

CYLINDER, PISTON AND VALVE TRAIN PUSH RODS, ROCKER ARMS AND HYDRAULIC LIFTERS

FIG. REF.	PART NUMBER	DESCRIPTION	ON ALL	QUANTITY PER ASSEMBLY																
				HEAD																
1	LW-15315	ROD ASSY., Push		8																
2	LW-15010	SEAT, Valve rocker arm fulcrum		8																
3	LW-15014	ARM, Valve rocker		8																
4	LW-15091	WASHER, 11/32 ID x 1/64 thick		8																
5	MS21045-5	NUT, 5/16-24 self-locking		8																
6	75906	GASKET, Rocker box cover		4																
7	LW-15330	COVER, Rocker box		4																
8	STD-1925	SCREW, 1/4-20 x 5/8 pan hd., self-locking		24																
9	71481	RING, Oil seal, 3/32 dia. x 4-27/32 ID		4																
10	383-B	NUT, 3/8-24 plain		16																
11	STD-2090	NUT, 1/2-20 plain		16																
12	LW-15168	TAPPET, Hydraulic		8																

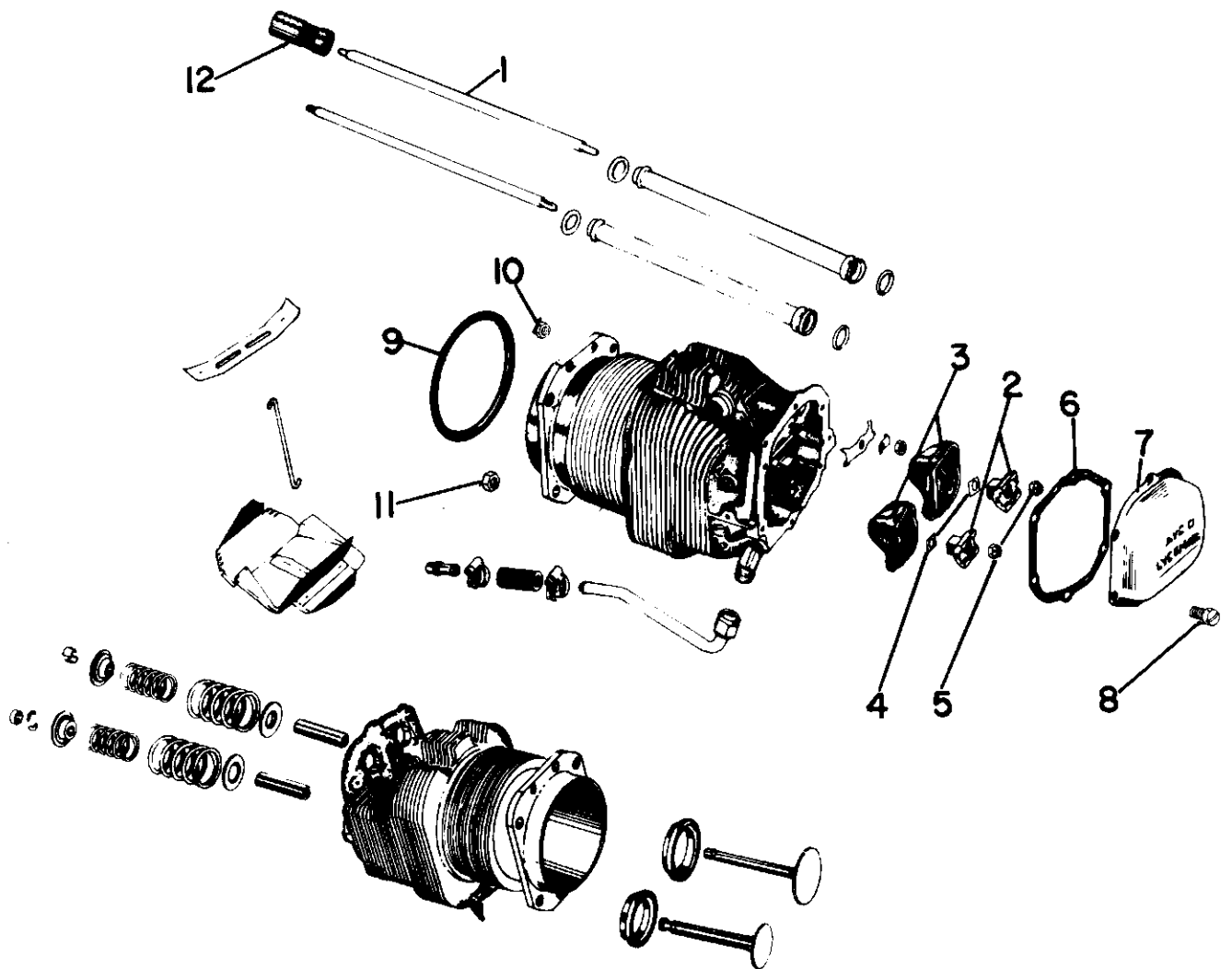


Figure 10
2-4

AVCO LYCOMING 76 SERIES O-320-H PARTS CATALOG

CYLINDER, PISTON AND VALVE TRAIN CYLINDER HEAD DRAIN TUBES AND INTERCYLINDER BAFFLES

FIG. REF.	PART NUMBER	DESCRIPTION	ON		QUANTITY PER ASSEMBLY															
			ALL	HEAD	1	2	3	4	5	6	7	8	9	10						
1	LW-15359	NIPPLE, 1/4-18 x 1/2 ID hose		4																
2	LW-15358	HOSE, 1/2 ID x 1-7/8 long		4																
3	STD-2117	CLAMP, Hose 9/16 to 1-1/16 x 1/2 wide		8																
4	LW-15361	TUBE ASSY., Cyl.hd.drain,cyl.no.1		1																
5	LW-15362	TUBE ASSY., Cyl.hd.drain,cyl.no.2		1																
6	LW-14680	TUBE ASSY., Cyl.hd.drain,cyl.no.3 and 4		2																
7	72569	BAFFLE ASSY., Intercylinder		2																
8	71611	RETAINER, Intercylinder		2																
9	71610	HOOK, Intercylinder baffle retainer		2																
10	65321	GASKET, Exhaust flange (ship loose)		4																

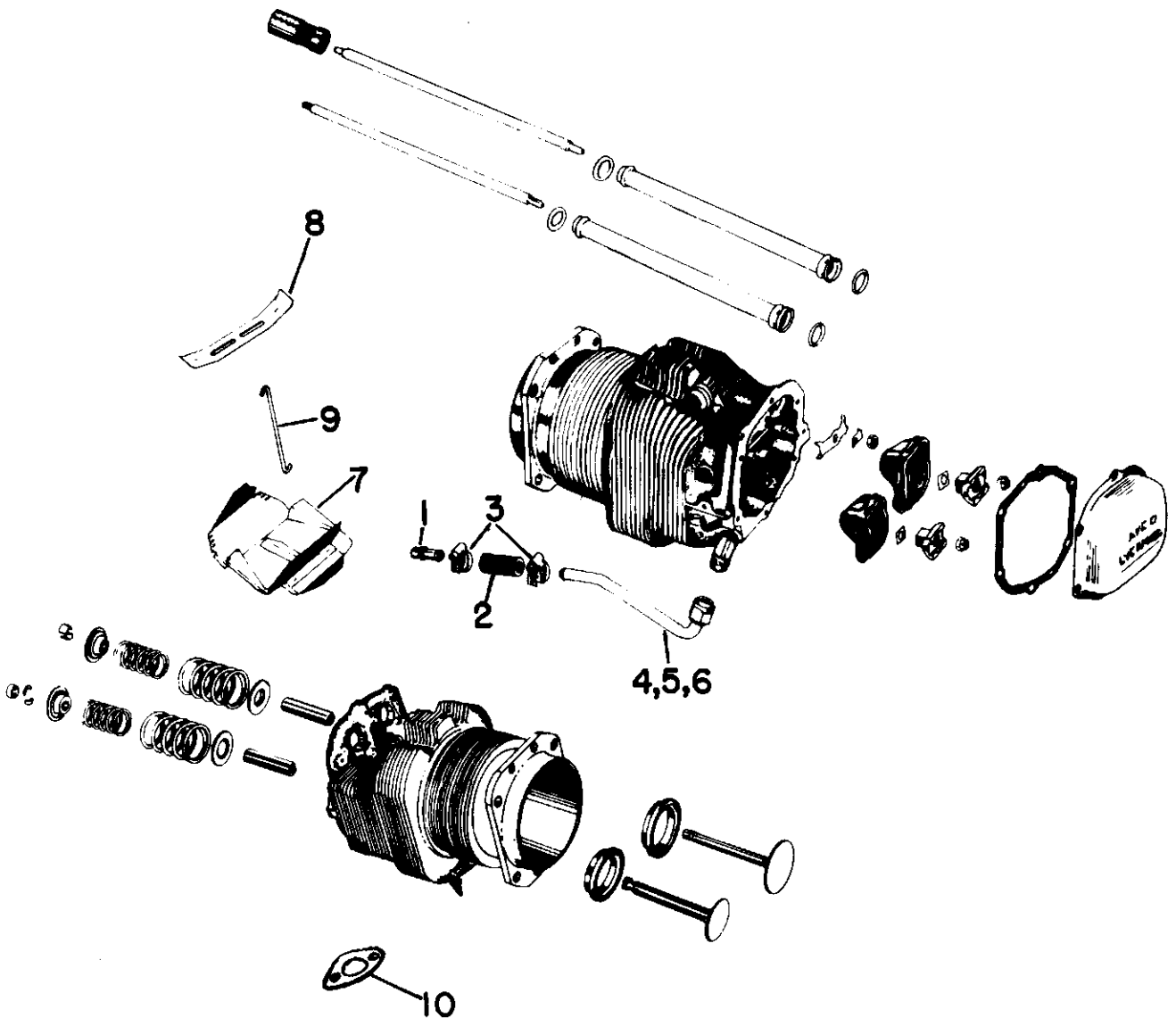
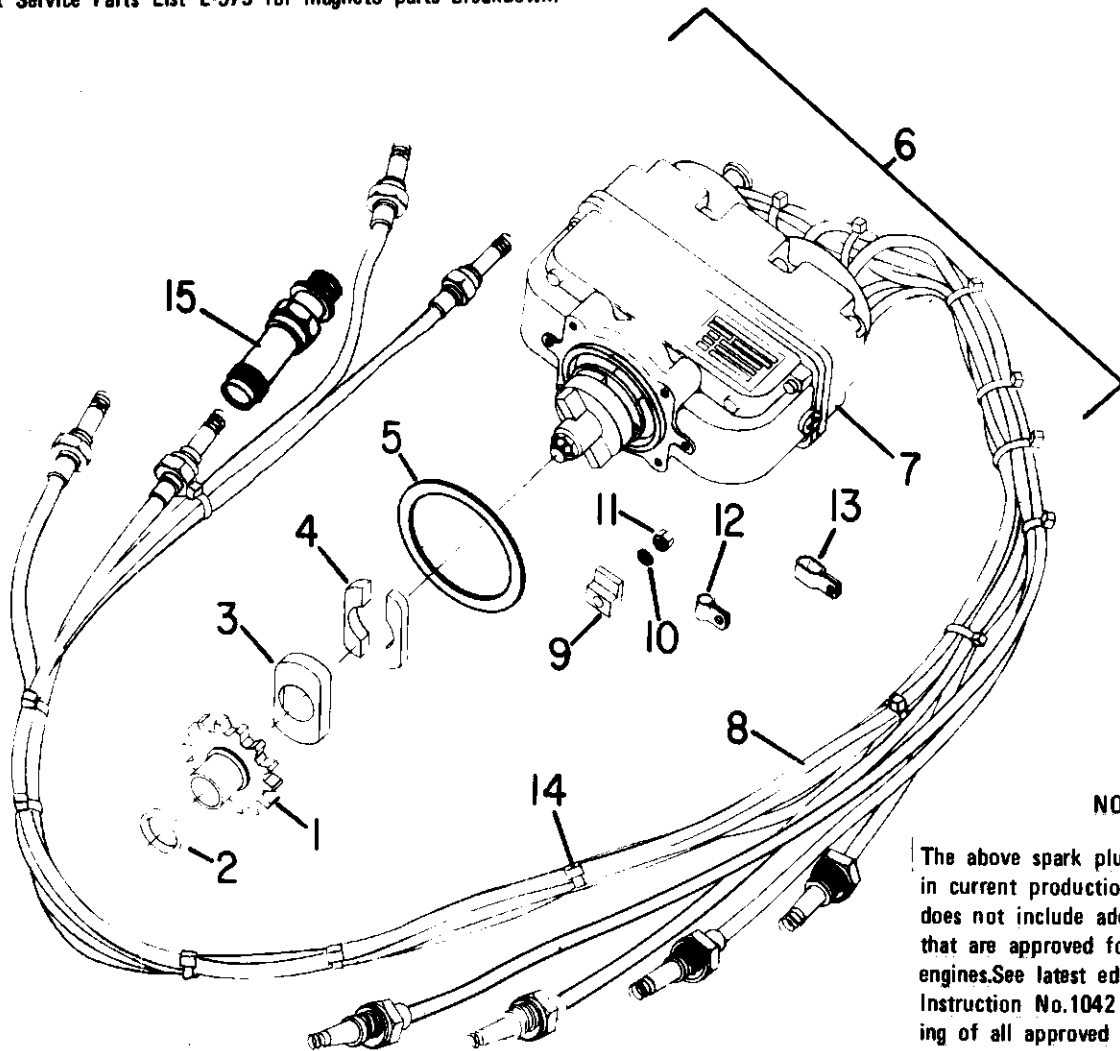


Figure 11
2-5

IGNITION SYSTEM MAGNETO DRIVE, MAGNETO SYSTEM AND SPARK PLUG

FIG. REF.	PART NUMBER	DESCRIPTION	ON ALL	QUANTITY PER ASSEMBLY															
				12AD															
12																			
1	LW-15096	GEAR, Magneto		1															
2	LW-15097	RING, "O", 13/16 ID x 5/64 dia.sect.		1															
3	68875	RETAINER, Magneto drive cushion		1															
4	LW-12136	CUSHION, Magneto drive		2															
5	LW-12681	GASKET, Magneto adapter and magneto		1															
6	LW-385124-115	MAGNETO IGNITION SYSTEM		1															
7	LW-382555-14	MAGNETO, D4RN-2021 (impulse)		1															
8	LW-384406-303	HARNESS, Ignition		1															
9	75965	CLAMP, Magneto		2															
10	STD-475	WASHER, 5/16 internal lock		2															
11	STD-1410	NUT, 5/16-18 plain		2															
12	LW-14057	CLIP, One wire		2															
13	LW-14060	CLIP, Two wire		2															
14	76734	ZIP STRAPS		13															
15	1182-D4	SPARK PLUG, Champion (RHM-38E)		8															
	LW-382698	KIT, Magneto ground terminal		1															

See Bendix Service Parts List L-975 for magneto parts breakdown.



NOTE

The above spark plugs are those used in current production only; this list does not include additional spark plugs that are approved for use in these engines. See latest edition of Service Instruction No. 1042 for complete listing of all approved spark plugs.

Figure 12
3-1

AVCO LYCOMING 76 SERIES O-320-H PARTS CATALOG

ELECTRICAL SYSTEM ALTERNATOR BRACKET AND STARTING MOTOR

FIG. REF.	PART NUMBER	DESCRIPTION	QUANTITY PER ASSEMBLY	
			ON ALL	13
1	LW-15350	BRACKET, Alternator		1
2	STD-1858	BOLT, 5/16-18 x 29/32 long,dr.hd.		2
3	LW-13351	LINK, Alternator adjusting		1
4	STD-35	WASHER, 5/16 plain		1
5	STD-1858	BOLT, 5/16-18 x 29/32 long,dr.hd.		1
6	76908	STRUT, Alternator support		1
7	STD-1858	BOLT, 5/16-18 x 29/32 long,dr.hd.		1
8	LW-14207*	STARTER, 24 volt (3.38:1 int.red.) (MZ-4218)		1
9	STD-35	WASHER, 5/16 plain		4
10	STD-475	WASHER, 5/16 internal lock		4
11	STD-2156	BOLT, 5/16-18 x 1-5/32 long,hex.hd.		1
12	STD-1410	NUT, 5/16-18 plain		3

* - See SSP1471 for starter motor parts breakdown.

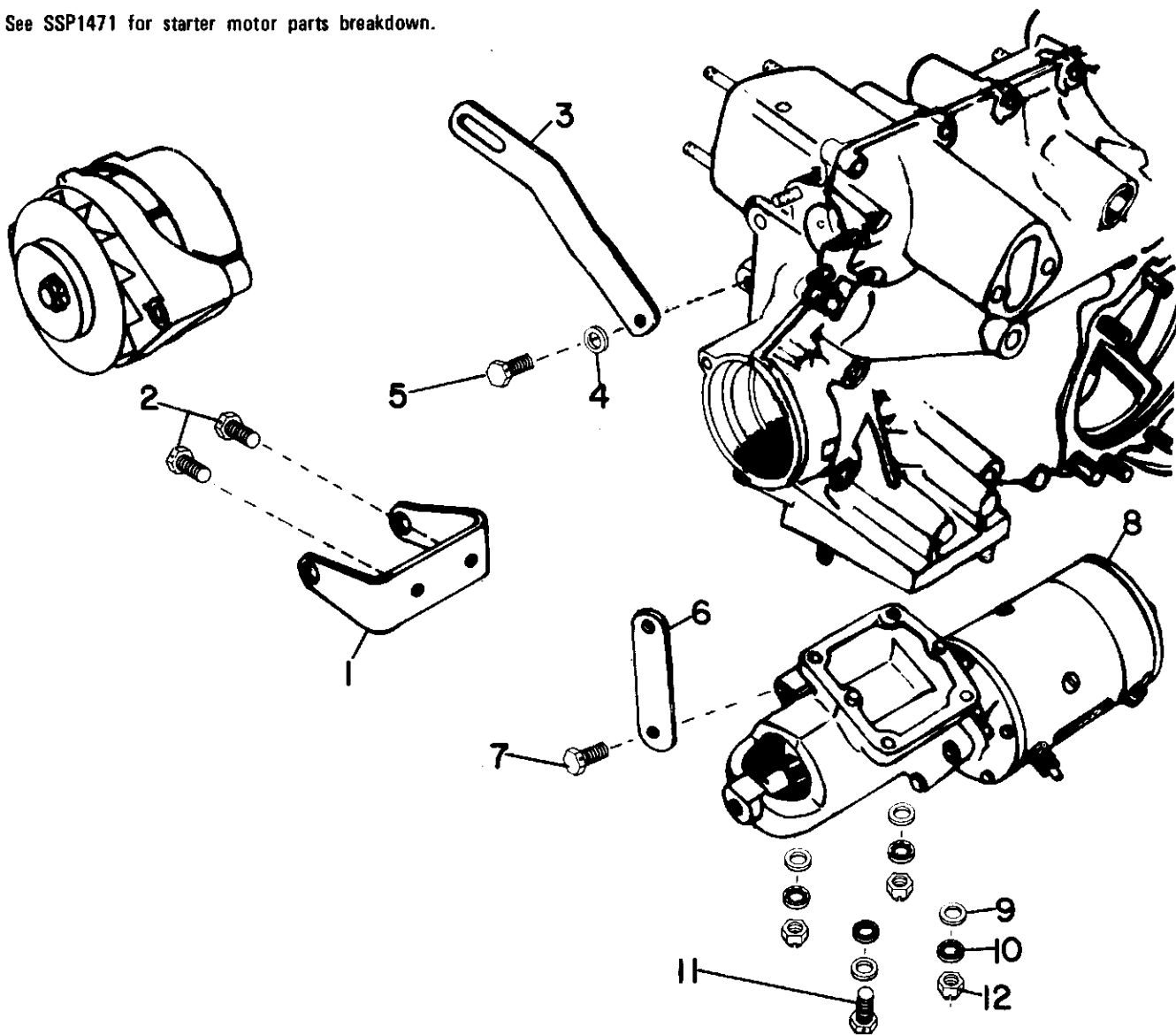


Figure 13
4-1

AVCO LYCOMING **76** SERIES O-320-H PARTS CATALOG

OIL SUMP AND INDUCTION SYSTEM
OIL SUMP ASSEMBLY

FIG. REF.	PART NUMBER	DESCRIPTION	ON ALL HEADS	QUANTITY PER ASSEMBLY																
				1	2	3	4	5	6	7	8	9	10	11	12	13	14			
1	LW-15071	GASKET, Oil sump	1																	
2	LW-14293	SUMP ASSY., Oil	1																	
3	68437	STUD, 5/16-18 x 1-7/8	4																	
4	STD-8	WASHER, 1/4 plain	14																	
5	STD-160	WASHER, 1/4 internal lock	14																	
6	LW-25-5.63	BOLT, 1/4-20 x 5-5/8 long, hex. hd.	5																	
7	STD-1204	BOLT, 1/4-20 x 15/16 long, hex. hd.	7																	
8	STD-1975	BOLT, 1/4-20 x 2-9/16 long, hex. hd.	2																	
9	STD-551	PLUG, 1/2-14 NPT sq. hd., drilled	1																	
10	61378	SCREEN, Oil suction	1																	
11	STD-1045	GASKET, 1-1/4 ID x 1-1/2 OD x 3/32 annular	1																	
12	61358	PLUG, 1-1/4 x 12 hex. hd.	1																	
13	61548	PLATE, Name	1																	
14	STD-1901	DRIVE, Stud, no. 4 x 3/16 long	4																	

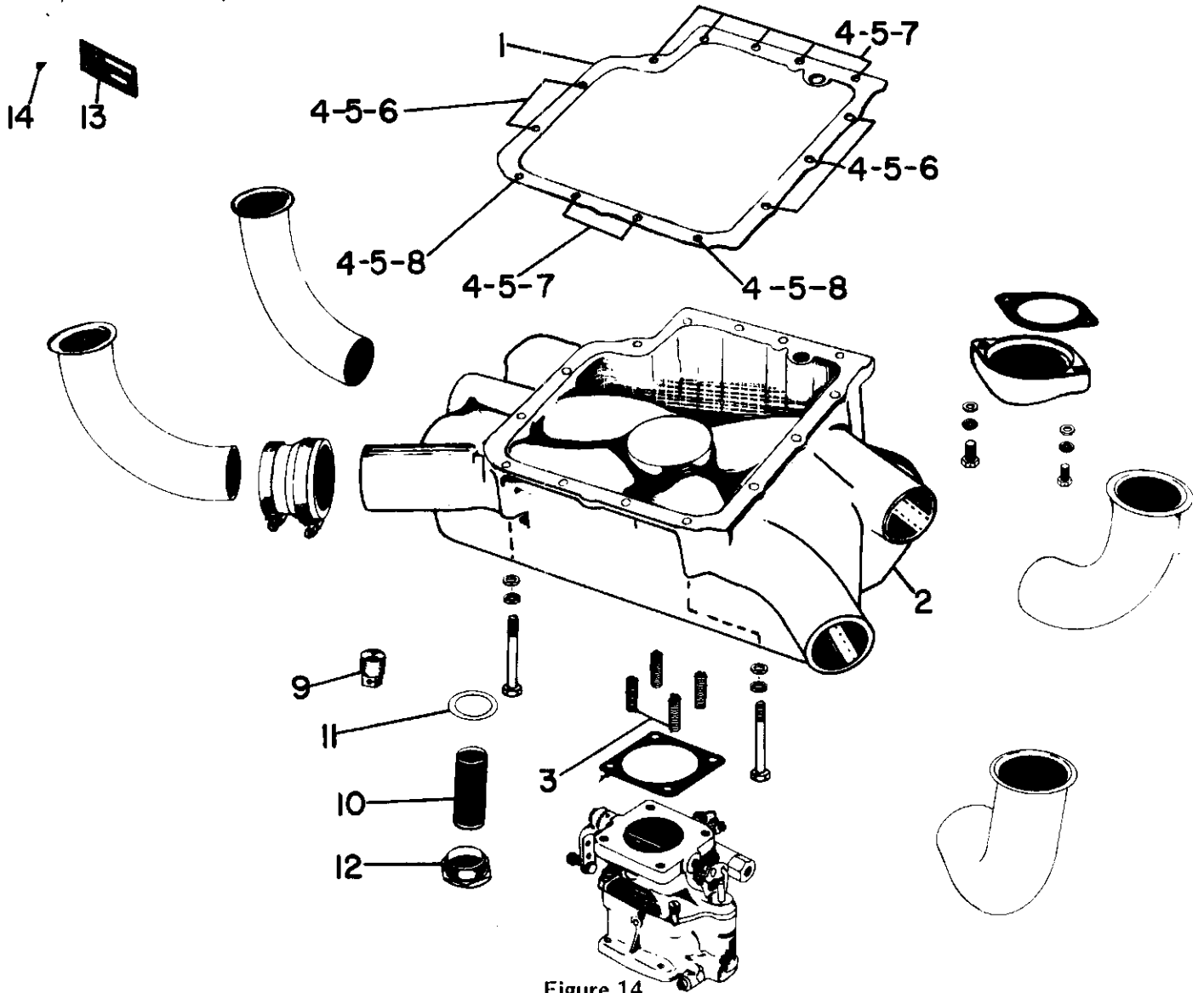


Figure 14
5-1

AVCO LYCOMING 76 SERIES O-320-H PARTS CATALOG

OIL SUMP AND INDUCTION SYSTEM INTAKE PIPES AND CARBURETOR

FIG. REF. 15	PART NUMBER	DESCRIPTION	ON ALL	QUANTITY PER ASSEMBLY																				
				HEAD																				
1	70485	PIPE, Intake		4																				
2	LW-14134	HOSE, Intake pipe		4																				
3	AN737TW-82	CLAMP, 2-1/8 to 2-9/16 x 9/16 wide		4																				
4	STD-1269	CLAMP, 1-7/8 to 2-1/4 x 9/16 wide		4																				
5	71973	GASKET, 2 bolt flange, 1-13/16 ID		4																				
6	LW-14555	FLANGE, Intake pipe, upper		4																				
7	STD-8	WASHER, 1/4 plain		8																				
8	STD-160	WASHER, 1/4 internal lock		8																				
9	STD-1215	BOLT, 1/4-20 x 1-1/4 long, hex. hd.,		8																				
10	66224	GASKET, Carburetor		1																				
11	LW-13659*	CARBURETOR (MS-4SPA)		1																				
12	STD-35	WASHER, 5/16 plain		4																				
13	STD-1410	NUT, 5/16-18 plain		4																				
14	STD-1763	PALNUT		4																				

* - See MS609/631 for parts breakdown of Marvel-Schebler carburetors.

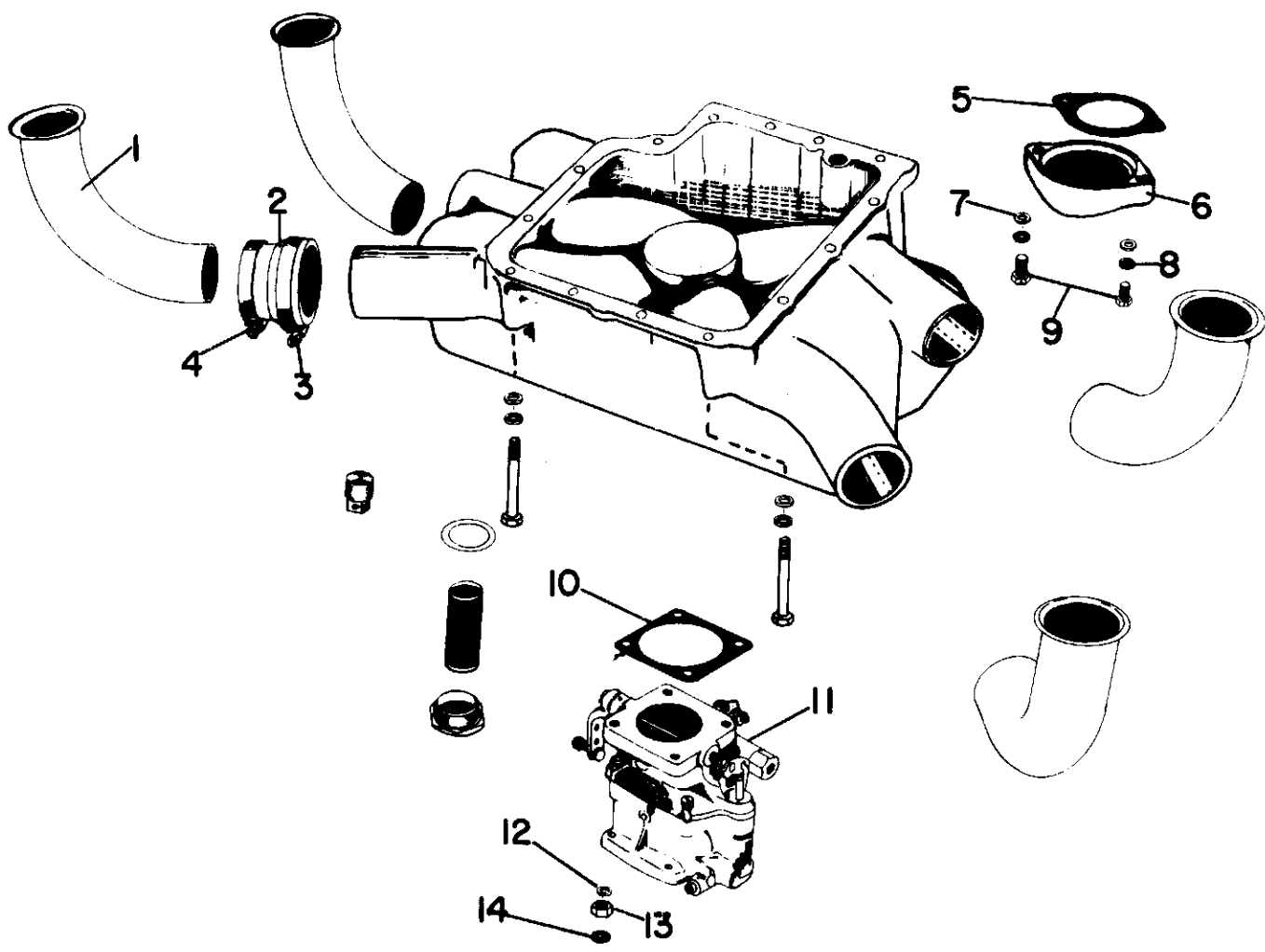


Figure 15
5-2

AVCO LYCOMING 76 SERIES O-320-H PARTS CATALOG

O-320-H2AD SERVICE REPLACEMENT SET

SEAL AND GASKET SET

LW-14815	SEAL AND GASKET SET	
STD-208	SEAL, Oil	1
STD-294	GASKET, Annular	2
STD-1045	GASKET, Annular	2
8313	GASKET, Vacuum pump	2
60096	GASKET, Fuel pump	1
LW-14260	SEAL, Tach shaft	1
61173	GASKET, Oil press.hsg.	1
LW-15280	SEAL, Shroud tube	8
65321	GASKET, Exhaust flange	4
66224	GASKET, Carburetor	2
70310	SEAL, Shroud tube	8
71481	RING, Oil seal	4
LW-15070	SEAL, "O"-ring	1
LW-15262	LOCKPLATE, Oil pump gear	1
LW-15046	GASKET, Oil filter adapter	1
LW-15109	"O"-Ring	1
LW-15071	GASKET, Oil sump	1
LW-15097	"O"-Ring	1
71973	GASKET, Intake flange	4
72053	GASKET, Gov. drive	2
72075	"O"-Ring	7
72078	LOCKPLATE, Cam gear	2
72091	"O"-Ring	2
72312	RING, Oil seal	1
74065	RING, Oil level gage seal	1
75906	GASKET, Rocker box cover	4
LW-13792	SEAL, Crankshaft oil	1
LW-12272	LOCKPLATE, Shroud tube	4
LW-12681	GASKET, Mag.	2
72220	GASKET, Oil filler ext.	1
70457	GASKET, Oil filler ext.	1

AVCO LYCOMING 76 SERIES O-320-H PARTS CATALOG

O-320-H2AD SERVICE REPLACEMENT SET

CYLINDER, PISTON AND RING ASSEMBLY

LW-14814	CYLINDER, PISTON AND RING KIT	
MS13997-3	KEY, Valve exhaust	2
MS21045-5	NUT, Self-locking	2
STD-1411	NUT, Plain	1
STD-1925	SCREW, Self-locking	6
60009	KEY, Valve intake	2
60828	PLUG, Piston pin	2
65441	SEAT, Valve spring lower	2
70310	SEAL, Shroud tube	2
71481	RING, Oil seal	1
73857	RING, Piston	1
74241	RING, Piston compression	2
74541	VALVE, Exh (rotator type)	1
75906	GASKET, Rocker box cover	1
LW-10076	SEAT, Valve spring, upper exhaust	1
LW-10077	SEAT, Valve spring, upper intake	1
LW-11795	SPRING, Valve inner	2
LW-11800	SPRING, Valve outer	2
LW-12272	LOCKPLATE, Shroud tube	1
LW-13323	SEAT, Valve spring, lower exhaust	1
LW-13428	SPRING, Shroud tube	1
LW-14078	PIN, Piston	1
LW-15010	SEAT, Valve rocker arm	2
LW-15014	ROCKER ASSY., Valve	2
LW-15091	WASHER	6
LW-15280	SEAL, Shroud tube	2
LW-15314	VALVE, Intake	1
LW-15316	CAP, Valve stem, exhaust	1
LW-15318	CYLINDER ASSY., Nitride	1
LW-15330	COVER, Rocker box	1
LW-15357	PISTON	1

AVCO LYCOMING 76 SERIES O-320-H PARTS CATALOG

NUMERICAL INDEX

PART NO.	PART NAME	PAGE NO.	PART NO.	PART NAME	PAGE NO.
AN6-36A	Bolt	1-4	STD-1410	Nut	1-5
AN737TW-82	Clamp	5-2	STD-1410	Nut	4-1
MS9048-224	Roll Pin	1-1	STD-1410	Nut	3-1
MS13997-3	Key	2-3	STD-1411	Nut	1-5
MS16624-1087	Ring	1-3	STD-1411	Nut	2-3
MS20822-8	Elbow	1-6	STD-1592	Bolt	1-6
MS20823-8	Elbow	1-6	STD-1646	Bolt	1-6
MS21045-5	Nut	2-4	STD-1858	Bolt	4-1
STD-8	Washer	1-4	STD-1872	Insert	2-2
STD-8	Washer	1-5	STD-1901	Drive Stud	5-1
STD-8	Washer	1-6	STD-1902	Bolt	5-2
STD-8	Washer	5-1	STD-1925	Screw	2-4
STD-8	Washer	5-2	STD-1975	Bolt	5-1
STD-33	Washer	1-2	STD-2047	Bolt	1-4
STD-33	Washer	1-4	STD-2057	Key	1-5
STD-33	Washer	1-6	STD-2090	Nut	2-4
STD-35	Washer	1-5	STD-2103	Bolt	1-4
STD-35	Washer	4-1	STD-2117	Clamp	2-5
STD-35	Washer	5-2	STD-2156	Bolt	4-1
STD-160	Washer	1-4	STD-2169	Roll Pin	1-3
STD-160	Washer	1-5	25C-10	Stud	1-1
STD-160	Washer	1-6	25C-12	Stud	1-5
STD-160	Washer	5-1	31-16	Stud	2-2
STD-160	Washer	5-2	38-13	Stud	1-1
STD-208	Seal	1-5	50-15	Stud	1-1
STD-294	Gasket	1-6	383-8	Nut	2-4
STD-395	Bolt	1-4	1028-B	Ball	1-2
STD-405	Plug	1-1	1102	Plug	1-1
STD-425	Washer	1-2	1102	Plug	2-2
STD-475	Washer	1-5	8313	Gasket	1-5
STD-475	Washer	4-1	1182-D4	Spark Plug	3-1
STD-475	Washer	3-1	60009	Key	2-3
STD-475	Washer	5-2	60096	Gasket	1-6
STD-551	Plug	5-1	60430	Gasket	1-5
STD-557	Dowel	1-1	60828	Plug	2-1
STD-557	Dowel	1-5	61173	Gasket	1-6
STD-596	Nut	1-4	61261	Stud	1-1
STD-678	Washer	1-2	61261	Stud	2-2
STD-678	Washer	1-4	61358	Plug	5-1
STD-703	Bolt	1-3	61378	Screen	5-1
STD-1045	Gasket	1-2	61548	Nameplate	5-1
STD-1045	Gasket	5-1	61662	Bearing	2-1
STD-1063	Nut	1-5	62415	Plunger	1-6
STD-1066	Dowel	1-3	62417	Plug	1-6
STD-1204	Bolt	5-1	62817	Screen	1-6
STD-1211	Plug	1-3	65098	Cover	1-6
STD-1215	Bolt	1-4	65321	Gasket	2-5
STD-1215	Bolt	5-2	65441	Seat	2-3
STD-1269	Clamp	5-2	66145	Dowel	1-3
STD-1339	Plug	1-1	66145	Dowel	1-5

AVCO LYCOMING 76 SERIES O-320-H PARTS CATALOG

NUMERICAL INDEX (CONT.)

PART NO.	PART NAME	PAGE NO.	PART NO.	PART NAME	PAGE NO.
66224	Gasket	5-2	LW-12681	Gasket	3-1
66796	Insert	2-2	LW-13224	Adapter	1-6
67528	Stud	1-1	LW-13290	Bracket	1-2
68437	Stud	5-1	LW-13291	Bracket	1-2
68510	Stud	2-2	LW-13323	Seat	2-3
68668	Spring	1-2	LW-13351	Link	4-1
68875	Retainer	3-1	LW-13428	Spring	2-3
68974	Housing	1-6	LW-13659	Carburetor	5-2
69436	Spring	1-6	LW-13792	Seal	1-2
70310	Seal	2-3	LW-13923	Bushing	2-1
70457	Gasket	1-2	LW-14057	Clip	3-1
70485	Pipe	5-2	LW-14060	Clip	3-1
71481	Seal	2-4	LW-14078	Pin	2-1
71610	Hook	2-5	LW-14105	Bearing	1-2
71611	Retainer	2-5	LW-14134	Hose	5-2
71973	Gasket	5-2	LW-14207	Starter	4-1
72057	Seat	2-2	LW-14260	Seal	1-3
72058	Seat	2-2	LW-14293	Sump Assy.	5-1
72063	Bushing	1-3	LW-14555	Flange	5-2
72065	Bushing	1-3	LW-14658	Crankshaft	1-3
72075	Seal	1-2	LW-14659	Crankshaft Assy.	1-3
72078	Lockplate	1-3	LW-14680	Tube	2-5
72091	Seal	1-2	LW-14784	Gage	1-2
72220	Gasket	1-2	LW-15010	Seat	2-4
72312	O-ring	1-3	LW-15014	Arm	2-4
72566	Gear	1-3	LW-15031	Gear	1-3
72569	Baffle	2-5	LW-15032	Shaft	1-3
73857	Ring	2-1	LW-15045	Bushing	1-1
74241	Ring	2-1	LW-15046	Gasket	1-6
74541	Valve	2-3	LW-15063	Eye	1-4
75675	Extension	1-2	LW-15068	Impeller	1-5
75906	Gasket	2-4	LW-15070	Seal	1-5
75965	Clamp	3-1	LW-15071	Gasket	5-1
76529	Plug	1-2	LW-15091	Washer	2-4
76628	Support	1-3	LW-15096	Gear	3-1
76734	Zip Strap	3-1	LW-15097	Ring	3-1
76908	Strut	4-1	LW-15143	Body	1-5
76943	Guide	2-2	LW-15168	Tappet	2-4
77160	Guide	2-2	LW-15260	Retainer	1-3
78027	Bolt	2-1	LW-15261	Adapter	1-3
78030	Connecting Rod	2-1	LW-15262	Lockplate	1-5
LW-25-5.63	Bolt	5-1	LW-15263	Gear	1-5
LW-38-2.75	Bolt	1-2	LW-15269	Gear	1-3
LW-10076	Seat	2-3	LW-15276	Stud	1-1
LW-10077	Seat	2-3	LW-15277	Stud	1-1
LW-11795	Spring	2-3	LW-15280	Seal	2-3
LW-11800	Spring	2-3	LW-15281	Tube	2-3
LW-12136	Cushion	3-1	LW-15314	Valve	2-3
LW-12186	Nut	2-1	LW-15315	Push Rod	2-4
LW-12272	Lockplate	2-3	LW-15316	Cap	2-3

AVCO LYCOMING **76** SERIES O-320-H PARTS CATALOG
 NUMERICAL INDEX (CONT.)

PART NO.	PART NAME	PAGE NO.	PART NO.	PART NAME	PAGE NO.
LW-15318	Cylinder Assy.	2-2	LW-15359	Nipple	2-5
LW-15330	Cover	2-4	LW-15360	Elbow	2-2
LW-15336	Camshaft	1-3	LW-15361	Tube	2-5
LW-15343	Crankcase	1-1	LW-15362	Tube	2-5
LW-15345	Shaft	1-5	LW-15364	Breather	1-6
LW-15347	Impeller	1-5	LW-382555-14	Magneto	3-1
LW-15350	Bracket	4-1	LW-382698	Kit, Magneto Term.	3-1
LW-15357	Piston	2-1	LW-384406-303	Harness	3-1
LW-15358	Hose	2-5	LW-385124-115	Magneto	3-1

TECHNICAL PUBLICATION REVISION

REVISION No. PC-122-1	PUBLICATION 0-320-H 76 Series	PUBLICATION No. PC-122	PUBLICATION DATE April, 1976
---------------------------------	---	----------------------------------	--

The page(s) furnished herewith are intended to replace the corresponding page(s) of the publication indicated above. If additional copies of the revision are required they may be obtained from Avco Lycoming Williamsport Division. See latest edition of Service Letter No. L114 for further information on Avco Lycoming service publications.

Previous revisions to this publication	This revision consists of:-
None	PC-122-1 1-1, 1-3, 1-6, 1-7 2-3, 2-4

**O-320-H SERIES
AIRCRAFT ENGINES**

LISTING OF PROCURABLE OVERSIZE AND UNDERSIZE PARTS

PART NO.	OVERSIZE															UNDERSIZE		
	P2	P3	P5	P6	P7	P10	P11	P12	P15	P20	P22	P30	P33	P75	P125	M3	M6	M10
61662																X	X	X
66145						X				X								
66796						X												
72057			X			X				X		X						
72058			X			X				X		X						
72063			X			X				X								
72065			X			X				X								
76943						X				X		X						
77160						X				X		X						
LW-14105																X	X	X

NOTE 1

Studs are available in P3, P7 and P12. Pistons and piston rings are available in P10 and P20.

NOTE 2

When ordering oversize or undersize parts, be sure and specify the required oversize or undersize dimensions, along with the proper part number. For example: to order bushing P/N 72063 in .010 inch oversize, order P/N 72063 P10. To order bearing P/N 61662 in .003 inch undersize, order P/N 61662 M3. Code letter P stands of oversize, while code letter M means undersize.

CRANKCASE, CRANKSHAFT AND CAMSHAFT GROUP
CRANKCASE ASSEMBLY

FIG. REF.	PART NUMBER	DESCRIPTION	ON ALL	QUANTITY PER ASSEMBLY															
				1/2AD															
1	LW-16819	CRANKCASE ASSEMBLY		1															
2	LW-15045	BUSHING, Magneto drive		1															
3	LW-15276	STUD, 1/2-20 x 10-23/32 long		2															
4	LW-15277	STUD, 1/2-13 x 8-3/4 long		4															
5	50-15	STUD, 1/2-20 x 1-7/8 long		8															
6	38-13	STUD, 3/8-16 x 1-5/8 long		16															
7	STD-557	DOWEL, 25/64 ID x 1/2 OD x 11/16 hollow		3															
8	31C-12	STUD, 5/16-18 x 1-1/2 long		8															
9	31C-13	STUD, 5/16-18 x 1-5/8 long		1															
10	1102	PLUG, 1/8-27 NPT		2															
11	STD-1339	PLUG, 1/16-27 NPT		1															
12	25C-9	STUD, 1/4-20 x 1-1/8 long		2															
13	1102	PLUG, 1/8-27 NPT, Allen head		1															

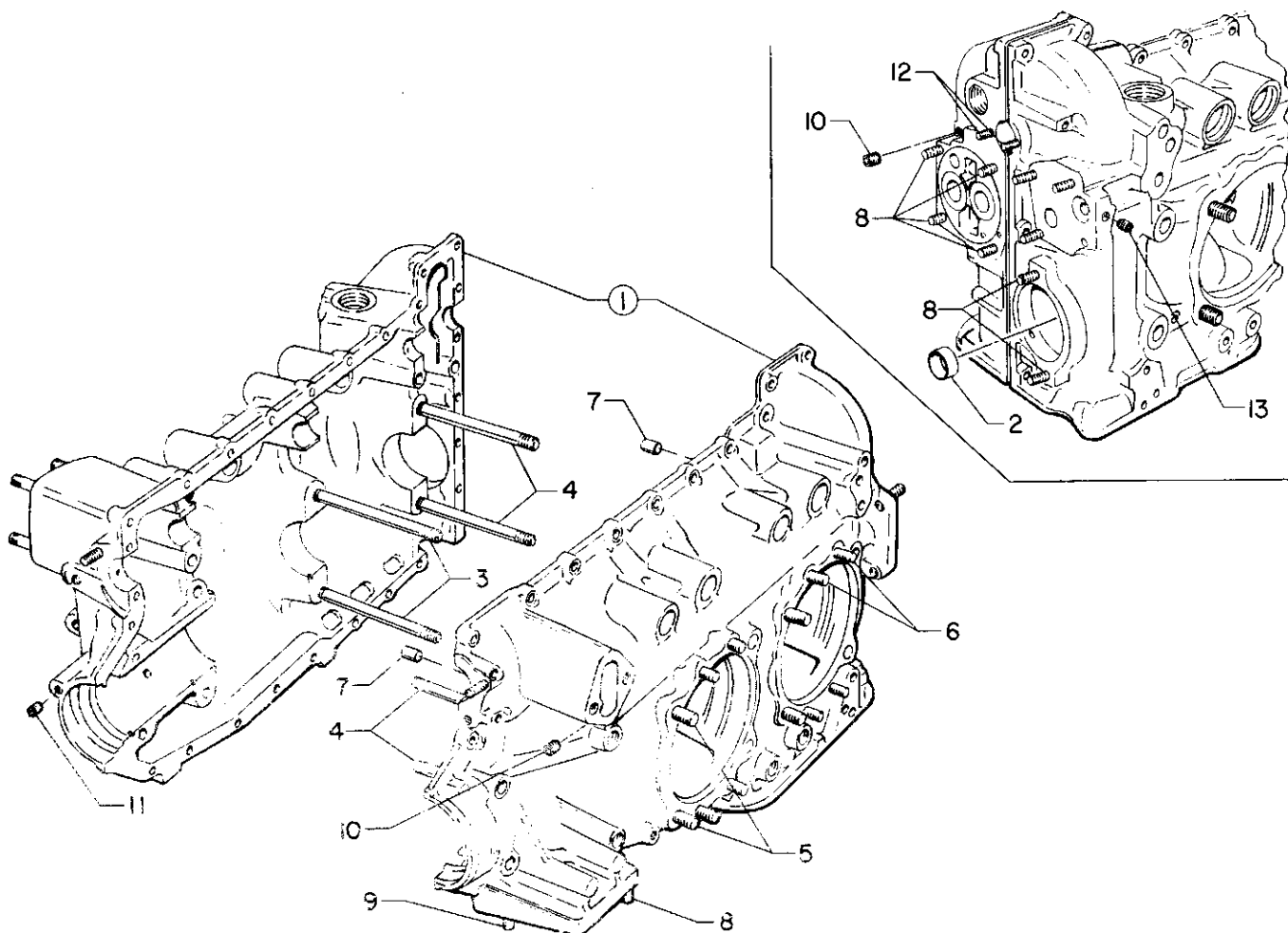


Figure 1

CRANKCASE, CRANKSHAFT AND CAMSHAFT GROUP
 CRANKSHAFT, CAMSHAFT AND TACHOMETER DRIVE

FIG. REF.	PART NUMBER	DESCRIPTION	ON ALL	QUANTITY PER ASSEMBLY																			
				H2AD																			
1	LW-15948	CRANKSHAFT ASSEMBLY		1																			
2	STD-1211	PLUG, 2.00 dia. expansion		1																			
3	LW-15944	CRANKSHAFT, Sub-assembly		1																			
4	72065	BUSHING, Propeller flange		1																			
5	72063	BUSHING, Propeller flange		5																			
6	STD-2196	DOWEL, 5/16 dia. x 51/64 long		1																			
7	LW-15949	GEAR, Crankshaft		1																			
8	LW-15950	LOCKPLATE, Crankshaft gear		1																			
9	STD-2155	SCREW, 1/4-28 x 27/32 long		2																			
10	LW-16512	CAMSHAFT, GEAR & TACHOMETER SHAFT ASSY.		1																			
11	STD-1066	DOWEL, Stepped, 5/16 & 1/4 dia. x 13/32 long		1																			
12	LW-15032	SHAFT ASSEMBLY, Tachometer		1																			
13	STD-2169	ROLL PIN, 3/16 dia. x 1-1/8 long		1																			
14	LW-15031	GEAR, Camshaft		1																			
15	72078	LOCKPLATE, 5/16 bolt x 1-21/64 spacing		2																			
16	STD-703	BOLT, 5/16-24 x 37/64 long, hex. hd.		4																			
17	LW-16573	GASKET, Tachometer adapter		1																			
18	LW-16575	TACHOMETER ADAPTER & SEAL ASSEMBLY		1																			
19	STD-8	WASHER, 1/4 plain		2																			
20	STD-160	WASHER, 1/4 lock		2																			
21	STD-1411	NUT, 1/4-20		2																			
22	76628	SUPPORT ASSEMBLY, Starter ring gear		1																			
	LW-16843	SUPPORT ASSEMBLY, Starter ring gear		1																			
23	72566	GEAR, Starter ring, 12/14 pitch		1																			
24	LW-15379	BAFFLE, Breather		1																			

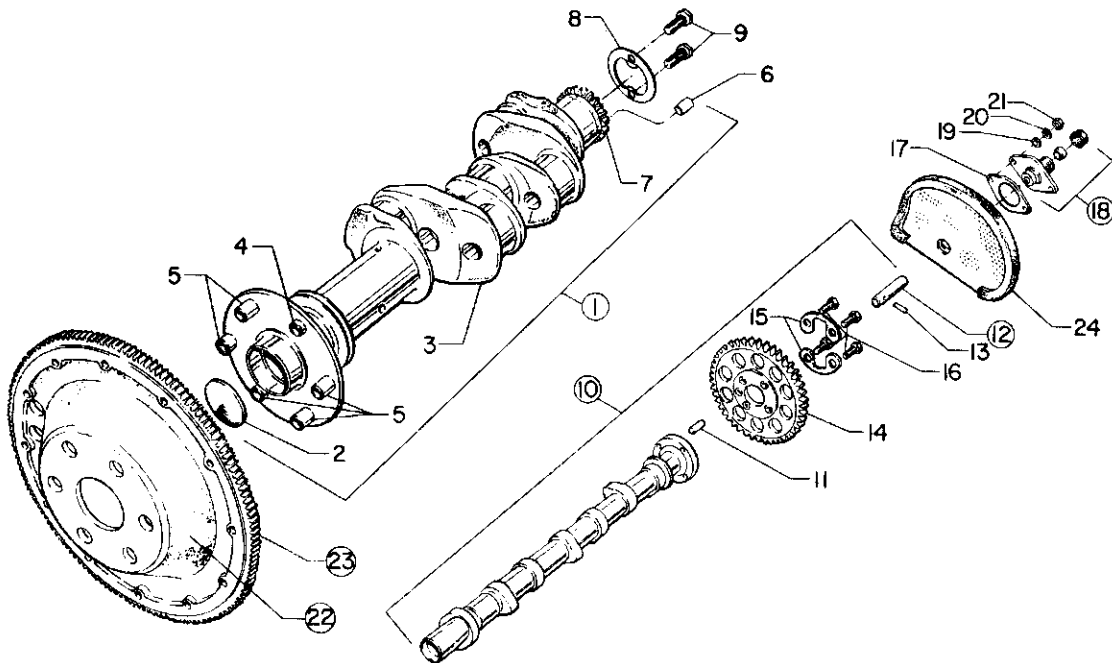


Figure 3

Intentionally
Left Blank

CRANKCASE, CRANKSHAFT AND CAMSHAFT GROUP
OIL FILTER AND FUEL PUMP ASSEMBLY

FIG. REF. 6	PART NUMBER	DESCRIPTION	ON ALL	QUANTITY PER ASSEMBLY													
				H2AD													
1	LW-15046	GASKET, Oil filter adapter		1													
2	LW-16118	OIL FILTER ADAPTER & FITTING ASSY.		1													
3	LW-15047	OIL FILTER ADAPTER ASSY.		1													
4	LW-15163	OIL FILTER ADAPTER		1													
5	LW-15167	BYPASS VALVE ASSY., Oil filter		1													
6	MS124703	INSERT, Heli-coil, 3/4-16 NF-3 x 1-1/4 long		1													
7	MS29512-8	SEAL, Oil 21/32 OD x 3/32 sect.		1													
8	LW-10637	ELBOW, 1/2 tube x 3/4-16 thd., 90° adj. (inlet)		1													
9	LW-14685	ELBOW, 1/2 tube x 3/4-16 thd., 45° adj. (outlet)		1													
10	LW-13904	KIT, Converter plate, oil filter		1													
11	LW-13905	FILTER ASSY., Oil, long (Champion)		1													
12	LW-13906	FILTER ASSY., Oil, short		1													
13	STD-294	GASKET, 7/8 OD x 5/8 ID x 3/32 annular		1													
14	75944	VALVE ASSY., Temp. control, oil cooler bypass		1													
15	69436	SPRING, Oil cooler bypass		1													
16	62415	PLUNGER, Oil cooler bypass		1													
17	62417	PLUG, Oil cooler bypass		1													
18	62817	SCREEN ASSY., Oil pressure		1													
19	LW-13224	ADAPTER, Oil cooler		1													
20	MS20822-8	ELBOW, 1/2 tube x 3/8 pipe, 90° (inlet)		1													
21	MS20823-8	ELBOW, 1/2 tube x 3/8 pipe, 45° (outlet)		1													
22	61173	GASKET, Oil pressure housing		1													
23	68974	HOUSING, Oil pressure screen		1													
24	STD-8	WASHER, 1/4 plain		4													
	STD-8	WASHER, 1/4 plain		12													
25	STD-160	WASHER, 1/4 internal lock		4													
26	LW-25-3.00	BOLT, 1/4-20 x 3.00 long, hex hd.		1													
	STD-1646	BOLT, 1/4-20 x 2.00 long, hex hd.		2													
27	25C-10	STUD, 1/4-20 x 1-1/4 long		3													
	25C-18	STUD, 1/4-20 x 2-1/4 long		2													
	25C-12	STUD, 1/4-20 x 1-1/2 long		3													
28	STD-1411	NUT, 1/4-20 plain		3													
	STD-1411	NUT, 1/4-20 plain		2													
29	AN840-12D	FITTING, Breather		1													
	AN844-12D	FITTING, Breather, 45°		1													
30	60096	GASKET, Fuel pump		1													
31	LW-15399	FUEL PUMP, Dual diaphragm		1													
32	STD-33	WASHER, 3/8 plain		2													
33	STD-1882	SCREW, 3/8-16 x 1-9/32 long, socket hd., dr. hd.		2													

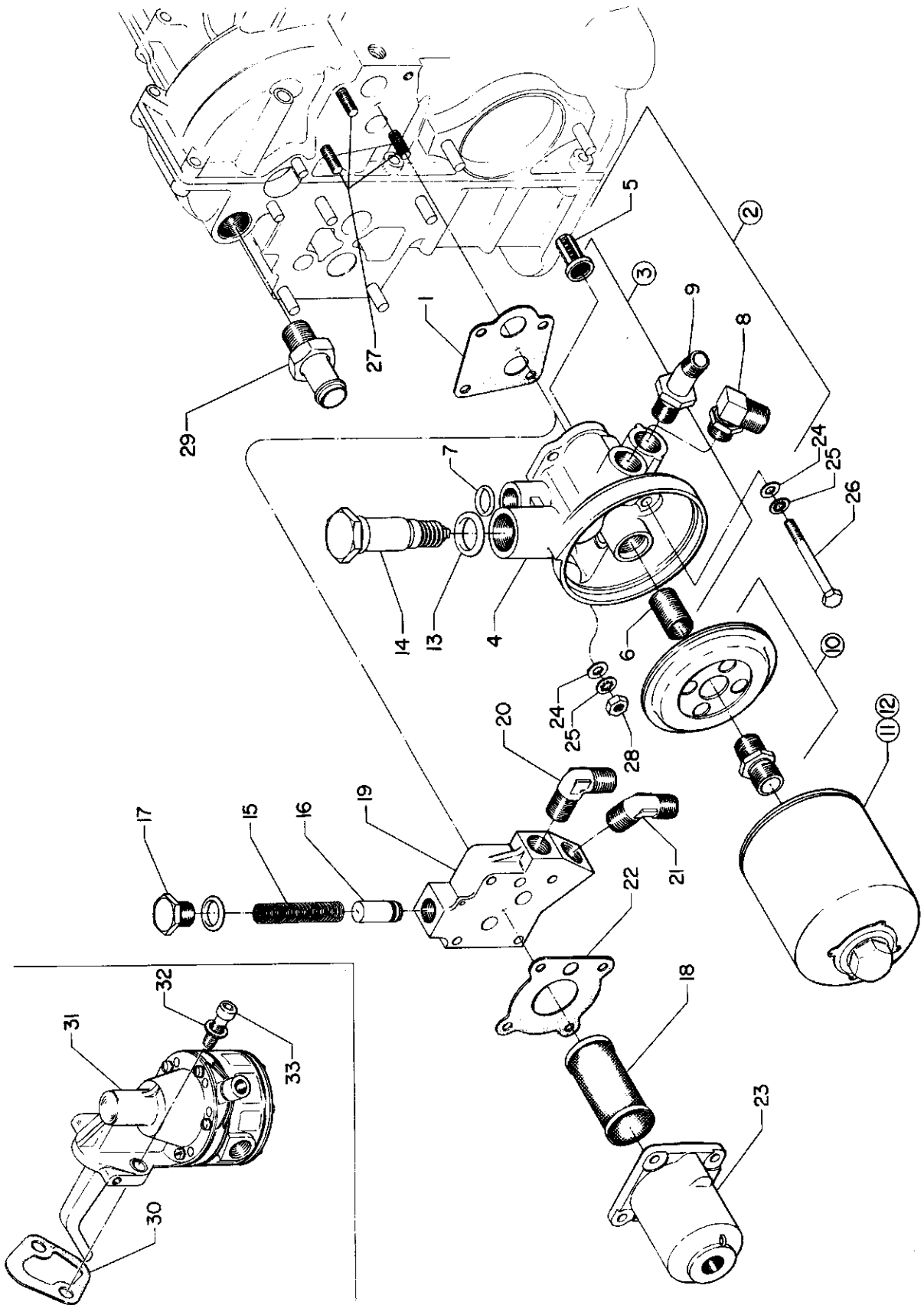


Figure 6. Oil Filter and Fuel Pump Assembly

AVCO LYCOMING 76 SERIES O-320-H PARTS CATALOG

CYLINDER, PISTON AND VALVE TRAIN CONNECTING ROD, PISTON AND PISTON RINGS

FIG. REF.	PART NUMBER	DESCRIPTION	ON ALL	QUANTITY PER ASSEMBLY																
				HEAD																
1	78030	ROD ASSEMBLY, Connecting		4																
2	LW-13923	BUSHING, Connecting rod, upper		4																
3	78027	BOLT, Connecting rod		8																
4	LW-12186	NUT, Connecting rod		8																
5	61662	BEARING, Connecting rod		8																
6	LW-15357	PISTON, Compression ratio 9.0:1		4																
7	LW-14078	PIN, Piston		4																
8	60828	PLUG, Piston		8																
9	74241	RING, Piston compression		8																
10	73857	RING, Piston oil regulating		4																

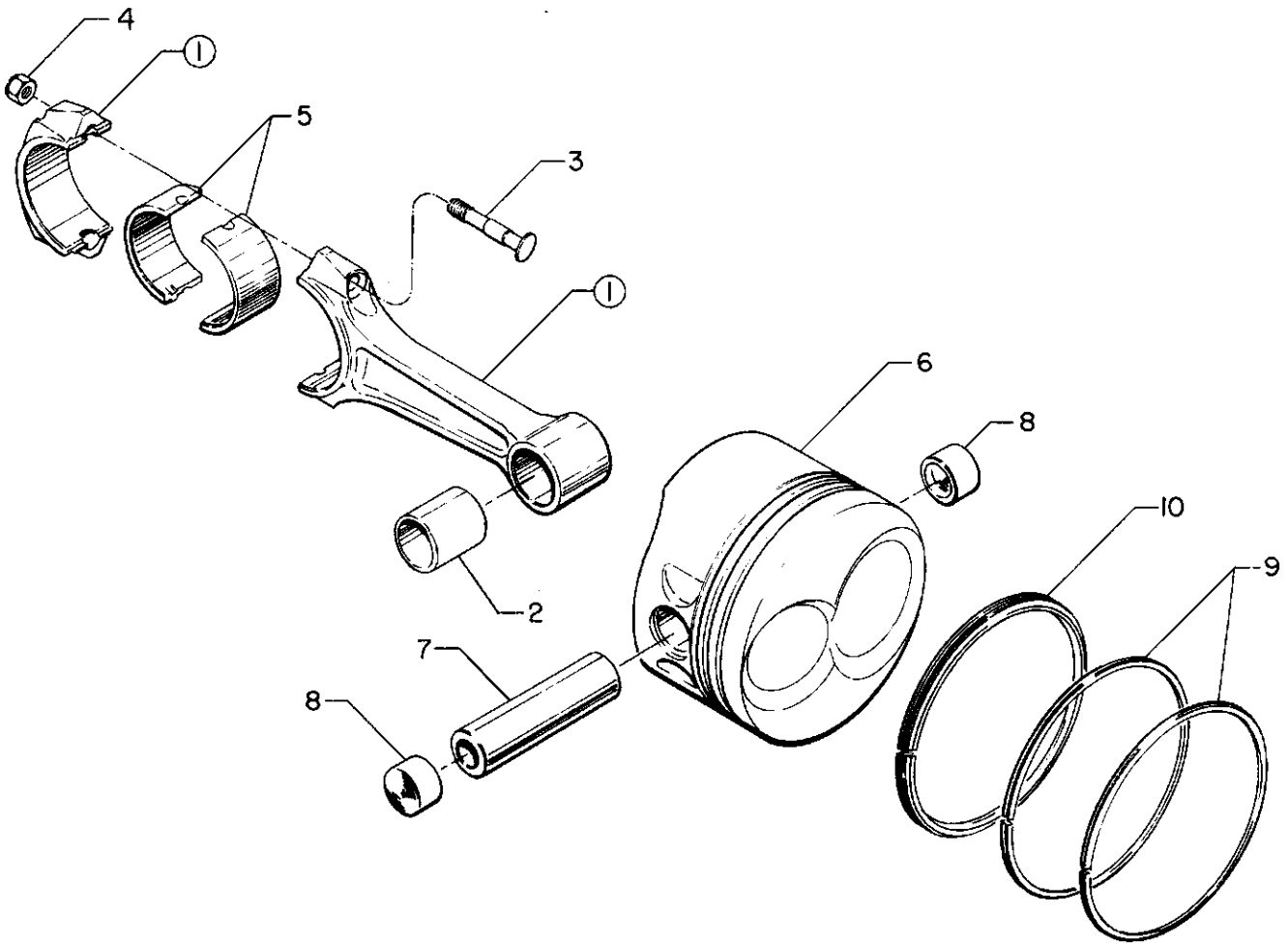


Figure 7
2-1

CYLINDER, PISTON AND VALVE TRAIN
VALVE ASSEMBLY

FIG. REF.	PART NUMBER	DESCRIPTION	ON ALL	QUANTITY PER ASSEMBLY															
				H2AD															
1	LW-15314	VALVE, Intake		4															
2	74541	VALVE, Exhaust (rotator type)		4															
3	LW-11795	SPRING, Valve, inner		8															
4	LW-11800	SPRING, Valve, outer		8															
5	65441	SEAT, Valve spring, lower, intake		4															
6	LW-13323	SEAT, Valve spring, lower, exhaust		4															
7	LW-10077	SEAT, Valve spring, upper, intake		4															
8	LW-16475	SEAT, Valve spring, upper, exhaust		4															
		(rotator type)		4															
9	60009	KEY, Valve, intake		8															
10	MS13997-3	KEY, Valve, exhaust (rotator type)		8															
11	LW-15316	CAP, Valve, exhaust (rotator type)		4															
12	LW-16055	TUBE, Push rod shroud		8															
13	LW-14995	SPRING, Shroud tube		4															
14	LW-12272	LOCKPLATE, Shroud tube		4															
15	STD-1411	NUT, 1/4-20 plain		4															
16	LW-R-0.750-275	SEAL, Shroud tube		8															
17	70310	SEAL, Shroud tube		8															

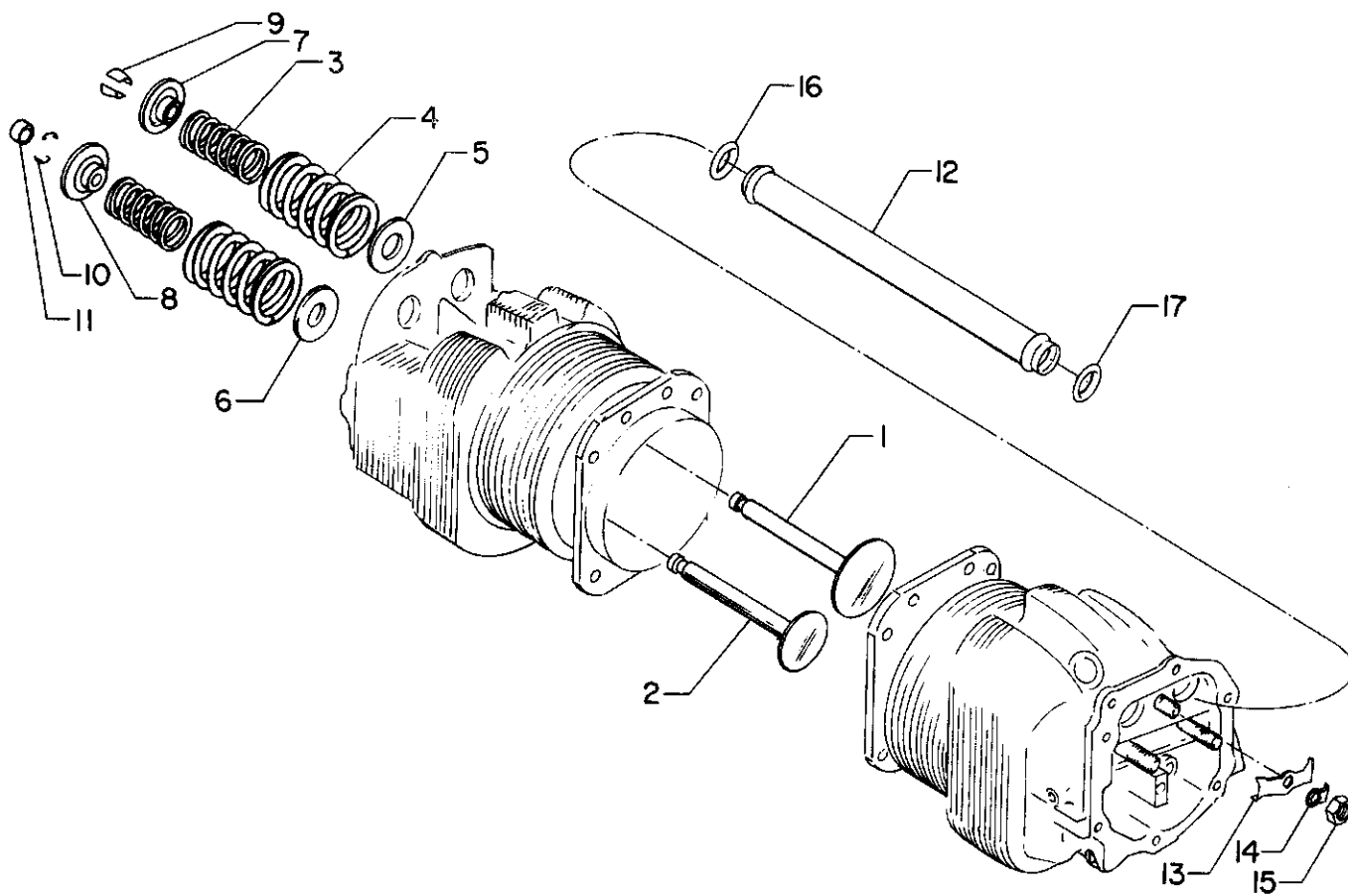


Figure 9

**CYLINDER, PISTON AND VALVE TRAIN
PUSH RODS, ROCKER ARMS AND HYDRAULIC LIFTERS**

FIG. REF.	PART NUMBER	DESCRIPTION	ON ALL	QUANTITY PER ASSEMBLY																
				H2AD																
1	LW-15315	ROD ASSEMBLY, Push		8																
2	LW-15407	SEAT, Valve rocker arm - fulcrum		8																
3	LW-15014	ARM, Valve rocker		8																
4	LW-15709	WASHER, 21/64 ID x 1/64 thick		un																
5	MS21045-5	NUT, 5/16-14 self-locking		8																
6	75906	GASKET, Rocker box cover		4																
7	LW-15330	COVER, Rocker box		4																
8	STD-1925	SCREW, 1/4-20 x 5/8 long, pan. hd., self-locking		24																
9	71481	RING, Oil seal, 3/32 dia. x 4-27/32 ID		4																
10	383-B	NUT, 3/8-24 plain		16																
11	STD-2090	NUT, 1/2-20 plain		16																
12	LW-16812	LIFTER, Hydraulic		8																

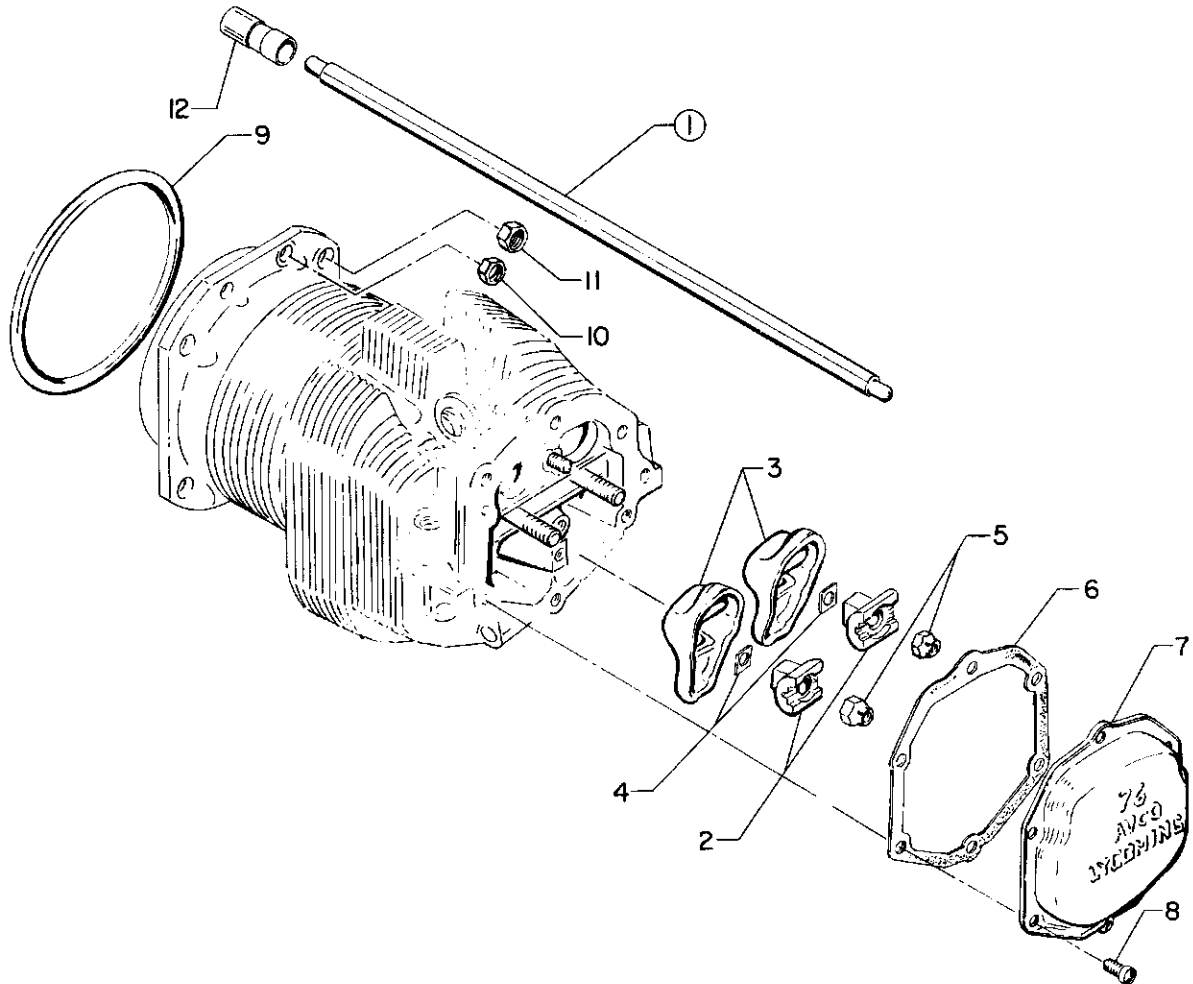


Figure 10

AVCO LYCOMING 76 SERIES O-320-H PARTS CATALOG

CYLINDER, PISTON AND VALVE TRAIN CYLINDER HEAD DRAIN TUBES AND INTERCYLINDER BAFFLES

FIG. REF.	PART NUMBER	DESCRIPTION	QUANTITY PER ASSEMBLY											
			ON ALL	HEAD										
1	LW-15359	NIPPLE, 1/4-18 x 1/2 ID hose		4										
2	LW-15358	HOSE, 1/2 ID x 1-7/8 long		4										
3	STD-2117	CLAMP, Hose 9/16 to 1-1/16 x 1/2 wide		8										
4	LW-15361	TUBE ASSY., Cyl.hd.drain,cyl.no.1		1										
5	LW-15362	TUBE ASSY., Cyl.hd.drain,cyl.no.2		1										
6	LW-14680	TUBE ASSY., Cyl.hd.drain,cyl.no.3 and 4		2										
7	72569	BAFFLE ASSY., Intercylinder		2										
8	71611	RETAINER, Intercylinder		2										
9	71610	HOOK, Intercylinder baffle retainer		2										
10	65321	GASKET, Exhaust flange (ship loose)		4										

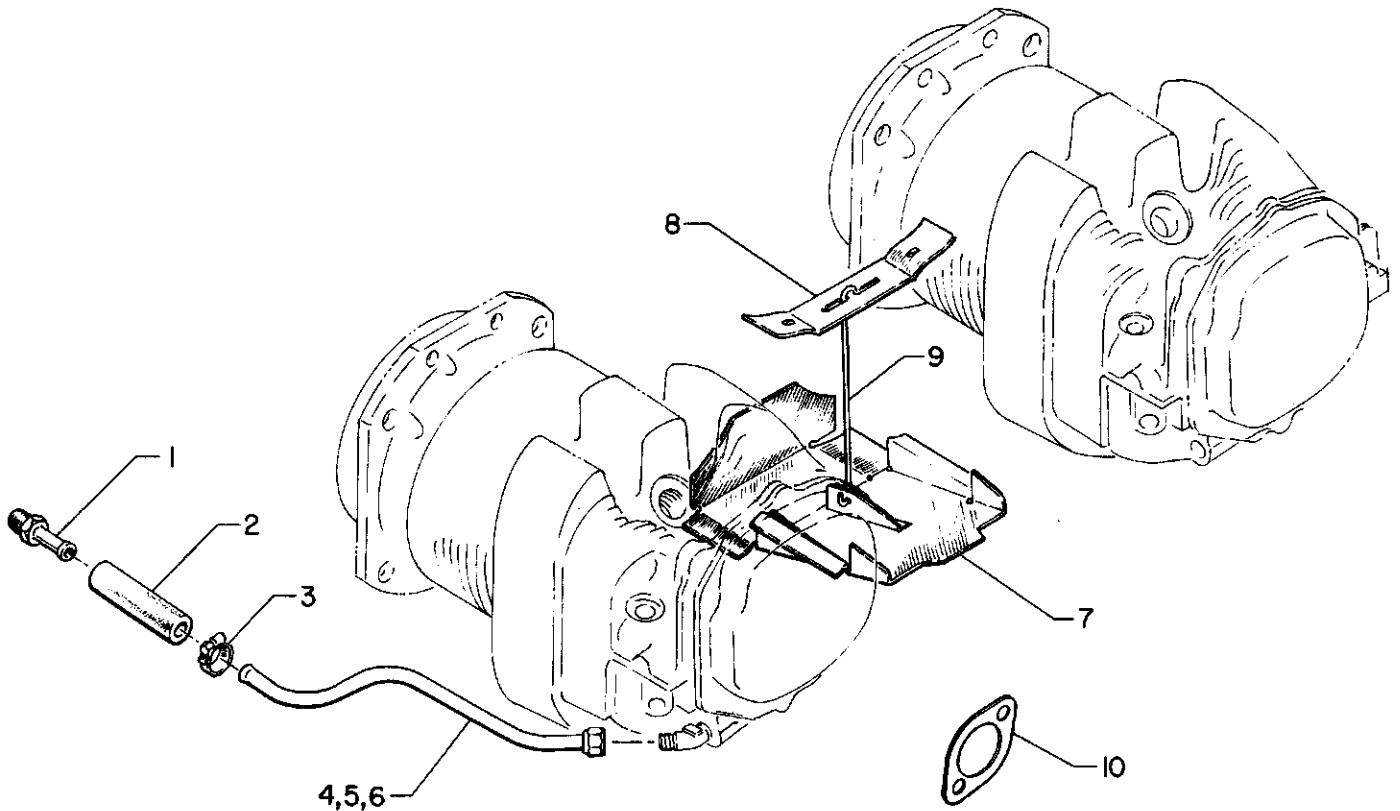


Figure 11
2-5