

TEMPORARY REVISION NUMBER 2

DATED 27 JANUARY 1995

RECEIVED SEP 15 1997
R 9 7 1 2 5 3

MANUAL TITLE MODEL 170B SERIES PARTS CATALOG (1952 THRU 1956)
MANUAL NUMBER - PAPER COPY P108-12 AEROFICHE P108-12AF
TEMPORARY REVISION NUMBER - PAPER COPY P108TR2-12 AEROFICHE NA
MANUAL DATE 1 SEPTEMBER 1956 REVISION NUMBER NA DATE NA

This Temporary Revision consists of changes to the subject Parts Catalog and replaces all previously issued Revision Sheets. Pen and ink changes should be made to the paper copy of the manual and supersede the aerofiche information.

NOTE

The "R" located in the first column, of the revision sheet(s), indicates changes that have occurred since the issuance of the previous Revision Sheets and/or Temporary Revision text pages.

PAGE

FICHE/FRAME

1
2
3
4
5

A02
A03
A04
A05
A06

REASON FOR TEMPORARY REVISION

To incorporate later parts information changes to the Parts Catalog.

FILING INSTRUCTIONS FOR THIS TEMPORARY REVISION

For paper publications:

After making pen and ink changes to the Parts Catalog Pages as noted on the attached revision sheet(s) and/or Temporary Revision Text pages; file this cover sheet and the revision sheets behind the publications title page to identify the inclusion of the Temporary Revision into the manual.

For aerofiche publications:

Draw a line through any aerofiche frame (page) affected by the Temporary Revision with a permanent red ink marker. This will be a visual identifier that information in the frame (page) is no longer valid and the Temporary Revision should be referenced. Temporary Revisions should be collected and maintained in a notebook near the aerofiche library for quick reference.



**CESSNA AIRCRAFT COMPANY
MODEL 170B SERIES (1952 - 1956)
PARTS CATALOG REVISION SHEET**

	Page No.	Fig. No.	Index No.	CHANGE		REMARKS
				FROM	TO	
R	5	2	21	0523005	0523005-58	
R	6	2	60	NAS383-3	S378-3L	
R	6	2	61	NAS383-2	S378-2	
R	6	3	-	0523005	0523005-58	
R	6	3	27	0523508-4	0523508-8	
R	6	3	42	0523400-14	0523400-18	
R	6	6	41	0523516-5	0720608-7	
R	8	3	79	0523234-2	0720005-1	
R	8	3	109	Not Listed	0523004-11	"Right"
R	9	4	2	0523007-2	0523005-21	
R	10	5	21	0523811	0523811-1	
R	13	6	26	0523914-2	0523914-0	
R	16	8	33	0523400-15	0523400-19	
R	18	8	69	0523234-2	0720005-1	
R	19	9	2	0523007-1	0523005-22	
	21	10	10	F34-14	S1819-3	
R	21	10	21	0523811-1	0523811-0	
R	21	10	22	0523812	0523812-3	
R	23	11	26	0523914-2	0523914-0	
R	24	12	5	0523606-10	0523606-12	
R	24	12	5	0523606-11	0523606-13	
R	24	12	7	0523609	0523613-1	
R	24	12	12	AN426AD10	AN426AD10-30	
R	27	14	21	0523005-2	0532005-2	
	27	14	59	0332136-4	0332136-3	
R	27	14	59	Not Listed	52-3-551	
	27	14	60	Not Listed	52-3-551	
R	31	16	6	KS4	MS27645-4	
R	31	16	7	AR4-1	MS24462-4	
R	33	17	6	49390	S878-1	
	34	18	6	0511000-24	-----	Refer to Notes, Page 5
R	37	19	31	0510114-20	0791300-5	
R	37	19	32	0510113-3	0510113-5	
	37	19	35	0510114-21	0791300-6	
	39	20	26	0513009-2 LH	0513009-2 RH	
	39	20	26	0513009-3 RH	0513009-3 LH	
R	39	20	29	0510114-20	0791300-5	
	39	20	33	0510114-21	0791300-6	
R	41	21	3	0411129-	S204	
R	41	21	46	0713495-19	0713495-63	
R	41	21	52	0713495-51	0713495-21	

Please update your parts catalog as shown above.

**CESSNA AIRCRAFT COMPANY
MODEL 170B SERIES (1952 - 1956)
PARTS CATALOG REVISION SHEET**

Page No.	Fig. No.	Index No.	CHANGE		REMARKS	
			FROM	TO		
	41	21	54	0713495-26	0713495-18	
	41	21	55	0713495-18	0713495-26	
R	41	21	56	0713495-20	0713495-64	
R	41	21	56	0713495-4	0713495-8	
R	41	21	56	0713495-58	0713495-18	
R	41	21	56	0713495-5	0742115-25	
R	41	21	57	0713495-52	0713495-60	
R	43	22	11	0311001-27	S350	
R	45	23	1	0591200-56	0512000-36	
R	45	23	18	0512000-73	0512000-79	
R	49	25	31	0512154-1	-----	No Longer Available
R	52	27	29	0541117-12	95-23482	
	57	31	12	0311710	0311710-6	
	57	31	16	-----	-----	Refer to Notes, Page 6
R	57	31	22	59-022-044-37S	59-022-094-375	
R	61	33	26	0511227	0511227-4	
R	61	33	58	0511106-105	S1005-84	
R	63	34	3	0511106-91	0511106-142	
R	63	34	21	0511227-1	0511227-5	
R	63	34	46	0511106-105	S1005-84	
R	63B	34A	3	0511106-151	0511106-164	
R	63B	34A	10	0511106-158	0511106-166	
R	63B	34A	21	0511227-1	0511227-5	
	65	35	26	-----	-----	Refer to Notes, Page 6
	65	35	27	-----	-----	Refer to Notes, Page 6
	65	35	28	-----	-----	Refer to Notes, Page 6
R	67D	36A	41	0500103-40	0500103-60	
	69	37	20	0411090-3	0411090-1	
R	73	41	4	0411086-10	0411086-15	
R	73	41	6	0411008-2	0713068-2	
R	73	41	7	0411087-23	0450017-10	
R	75	42	13	0411090-12	0411090-8	
	75	42	15	0411090-9	0411090-7	
R	75	42	16	0411090-10	0411090-22	
	75B	42A	16	0411090-8	0411090-22	
	75B	42A	13	0411090-8	0411090-22	
	75D	42B	37	A1181-6Z-3	NAS446-2	
R	77	44	2	0411086-10	0411086-15	
R	77	44	4	0411008-2	0713068-2	
	79	46	2	0411098-6	DM 7653	
	83	48	10	0552002-1	0552002-68	

Please update your parts catalog as shown above.

CESSNA AIRCRAFT COMPANY
MODEL 170B SERIES (1952 - 1956)
PARTS CATALOG REVISION SHEET

	Page No.	Fig. No.	Index No.	CHANGE		REMARKS
				FROM	TO	
	83	48	11	0552002-2	0552002-71	
R	83	48	26	0552002-51	0595000-6	
R	83B	48A	11	0552002-71	0552002-68	
R	85	49	14	0550158	S1104-3	
	87	50	11	S-51-10-12	S51-10	
R	87	50	13	0550159	0550179-1	
	87	50	35	0450320-29	No Change	Add: Order AD79-9-2 (Bulk)
	87	50	36	0450320-28	No Change	Add: Order 9AX11-2 (Bulk)
	91	52	-	Not Listed	SK170-1	
R	91	52	11	0450171	0550117	
	93	53	-	Not Listed	SK170-2	
	94	54	22	0450320	0450320-16	Order AD79-9-2D (Bulk)
R	97	57	22	035112-8	035112-5	
	100	59	4	AN515-10R8	1024X1/2	
R	105	63	37	0511191	0511191-1	
R	106	64	7	AF934-5	M829513-10	
	107	65	5	A114	S378-4	
R	107	65	12	BB-208	S378-3L	
	107	65	17	BB-208	S378-3L	
	107	65	27	#6	S338-10	
R	107A	65	22	#6	S338-10	
	107B	65A	3	Deleted	0311323-4	Chain
	107B	65A	4	Deleted	0742200-6	Clip
R	109	66	15	NAS383-4	S378-4	
R	109	66	19	AN210-4B	S378-4	
R	109	66	26	AN210-4B	S378-4	
R	109	66	31	AN210-4B	S378-4	
R	109	66	35	AN210-4B	S378-4	
R	109	66	45	F-140	S394	
R	109	66	51	NAS383-3	S378-3L	
R	111	67	11	NAS383-3	S378-3L	
R	111	67	17	NAS383-3	S378-3L	
R	113	68	30	AN163-16L	AN165-16RL	
R	113	68	35	NAS383-2	S378-2	
R	113	68	47	AN210-2B	S378-2	
R	113	68	53	AN383-2	S378-2	
R	113A	68	69	NAS43HT-5-36	NAS42HT-5-36	
R	113A	68	70	NAS42DD-4-16	NAS42-4-16	
	117	70	28	0411021-1	0712603-1	
R	117A	70A	3	0411062-2	0411062-4	
	124E	72B	22	0500027-1	0500027-4	Cessna

R

Please update your parts catalog as shown above.

**CESSNA AIRCRAFT COMPANY
MODEL 170B SERIES (1952 - 1956)
PARTS CATALOG REVISION SHEET**

Page No.	Fig. No.	Index No.	CHANGE		REMARKS
			FROM	TO	
124E	72B	22	Not Listed	0500027-5	(170)
	133	76	-----	-----	Refer To Notes, Page 6
R	135	77	0513004-26	0513004-10	
	135	77	Not Listed	0513004-10	Add:3rd Col, above Card-Cor.
R	139	79	05130004-26	0513004-10	
R	140	80	0513004-26	0513004-10	
	143	82	0552001-60	No Change	Add, in Desc: Not Part of Kit
	143	82	AN515-8R5	No Change	Add, in Desc: Not Part of Kit
	143	82	AN365-832	No Change	Add, in Desc: Not Part of Kit
	150	89	53-3-832	52-3-832	
R	153	91	0511231-19	0511231-140	
R	153	93	AN2552-2	AN2552-3A	
R	153	93	0513034-1	0513034-2	
R	155	94	0442010-2	0442010-36	
R	155	94	0442006-21	0442006-11	
R	155	94	0442006-22	0442006-11	
R	157	95	MS28741-4-010	S1167-4-0100	
	157	95	0441150-8	No Change	Delete: "Tire" in Description
	157	95	0441150-9	No Change	Delete: "Tire" in Description
	157	95	0541116-37	-----	No Longer Available
	157	95	0541116-38	-----	No Longer Available
	157	95	6:00 X 6	0441016-24	(1st Column)
	157	95	6:00 X 6	0441016-13	(1st Column)
R	157	95	C2311-27	0341005-66	
	157	95	0541116-41	95-30593	
	157	95	0541116-42	95-5383	
	158	95	0541117-7	0541116-36	
	158	95	#10-24NCX7/8	95-5163	
R	158	95	AN936C10	95-5163	
R	159	97	AK70B52-1	AK70B53-4	
R	159	97	AK7054-1	AK8053-13	
R	161	100	0441143-12	0441143-50	
R	161	100	0441143-13	0441143-51	

Please update your parts catalog as shown above.

CESSNA AIRCRAFT COMPANY
MODEL 170B SERIES (1952 - 1956)
PARTS CATALOG REVISION SHEET

NOTES

PG	Figure	Index No.	P/N	Remarks:
34	18	6	P/N 0511000-24	Cap only. Refer to Page 104, Figure 63, Item #1, for vent system.
57	31	16	0500101-45	Change Serial 26039 thru 26054 to read 26039 thru 26300.
			0500102-45	Change Serial 26505 thru 26995 to read 26301 thru 26995.
65	35	26		Change Serial 25372 to 20524, and "& on " to "thru 25372".
65	35	27		Change Serial 25372 to 20524, and "& on " to "thru 25372.
65	35	28		Change Serial 25372 to 20524, and "& on " to "thru 25372.
133	76	24		Use 2each AN844-6D elbow 1 each S51-6-13 hose 2 each NAS 397-12 clamp

Please update your parts catalog as shown above.



TEMPORARY REVISION NUMBER 1

DATED 5/01/92

RECEIVED SEP 1 1997
R 9 7 1 2 5 3

MANUAL TITLE MODEL 170B SERIES PARTS CATALOG (1952 THRU 1955)

MANUAL NUMBER - PAPER COPY P108-12 AEROFICHE P108-12AF

TEMPORARY REVISION NUMBER - PAPER COPY P108TR1-12 AEROFICHE N/A

MANUAL DATE OCTOBER 1954 REVISION NUMBER _____ DATE _____

This Temporary Revision consists of the following pages, which effect and replace existing pages in the paper copy manual and supersede aerofiche information.

PAGE

FICHE/FRAME

21

1 C8

REASON FOR TEMPORARY REVISION

To correct part number of Aileron Push Pull Rod End

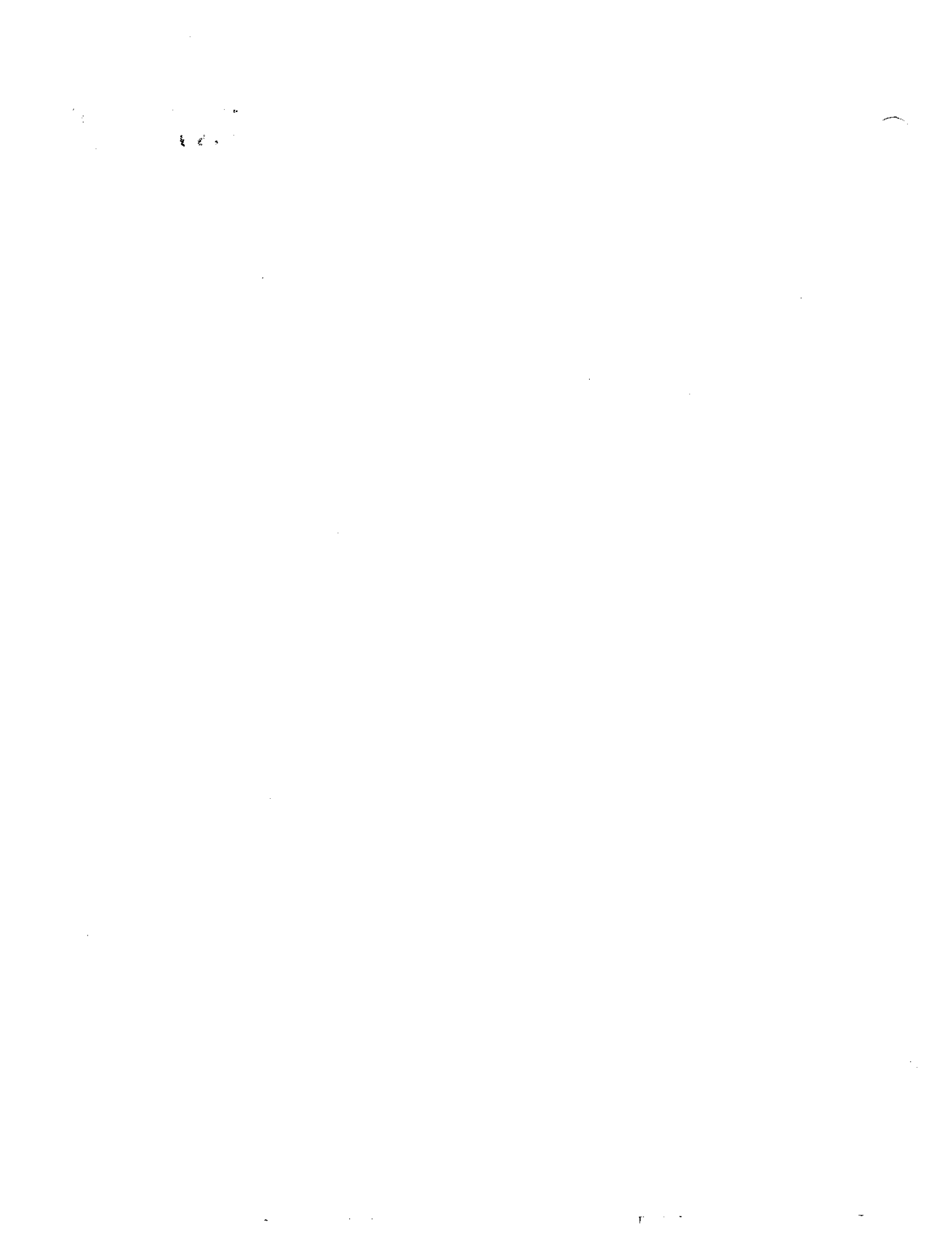
FILING INSTRUCTIONS FOR THIS TEMPORARY REVISION

For paper publications:

File this cover sheet behind the publication's title page to identify the inclusion of the Temporary Revision into the manual. Insert the new pages into the publication at the appropriate location(s) and remove and discard the superseded pages.

For aerofiche publications:

Draw a line through any aerofiche frame (page) affected by the Temporary Revision with a permanent red ink marker. This will be a visual identifier that the information in the frame (page) is no longer valid and the Temporary Revision should be referenced. Temporary Revisions should be collected and maintained in a notebook near the aerofiche library for quick reference.



ILLUSTRATED PARTS CATALOG

FIGURE AND INDEX NO.	PARTS NUMBER	DESCRIPTION	UNITS PER ASSY
10-	No Number	Aileron Installation - Right wing (see figure 7 for NHA) (0523800 Re0).	Ref
-1	0523223-1	Bellcrank Assembly - Aileron	1
-2	0422280	Bushing	2
-3	B610X	Bearing - Torrington	2
-4	0523829	Washer	1
-5	AN4-42A	Bolt - (Attach bellcrank)	2
-6	AN365-438	Nut - (Attach bellcrank)	2
-7	0523221	Bushing - (Attach bellcrank)	1
-8	0523222	Bushing - Bellcrank stop	1
	0523218	Rod Assembly - Aileron push-pull	1
-9	0523218-3	Rod - Aileron push-pull	1
-10	S1819-3	End - Rod	2
-11	AN316-4R	Nut - Check	2
-12	AN3-7A	Bolt - (Attach aileron push-pull rod)	2
-13	AN365-1032	Nut - (Attach aileron push-pull rod)	2
-14	NAS229-8	Screw - (Attach aileron hinge to wing)	12
-15	AN365-1032	Nut - (Attach aileron hinge to wing)	12
-16	0523800-1	Aileron Assembly - Right wing	1
-17	0523808-1	Spar - Right aileron	1
-18	0523808-2	Rib #1 - Aileron	2
-19	0523809-1	Rib #2 - Right aileron (not available for spares)	1
-20	0523810	Rib #3 - Aileron (not available for spares)	1
-21	0523811-1	Rib #4 - Aileron	1
-22	0523812	Bracket - Control	1
-23	NAS-446-163C-4-8	Rivet - (Attach bracket)	6
-24	0523814	Bracket - (Attach aileron weight)	1
-25	0523814-2	Bracket - (Attach aileron weight)	1
-26	0721109	Weight - Aileron balance	2
-27	0523800-7	Skin - Upper right inboard (not available for spares)	1
-28	0523800-8	Skin - Upper right outboard	1
-29	0523800-11	Skin - Lower right inboard (not available for spares)	1
-30	0523800-12	Skin - Lower right outboard	1
-31	0523813-1	Spacer	1
-32	0523813-8	Spacer	1
-33	0523813-6	Spacer	1
-34	0523813-7	Spacer	1
-35	0523807	Hinge Assembly - Aileron	2

ILLUSTRATED PARTS CATALOG

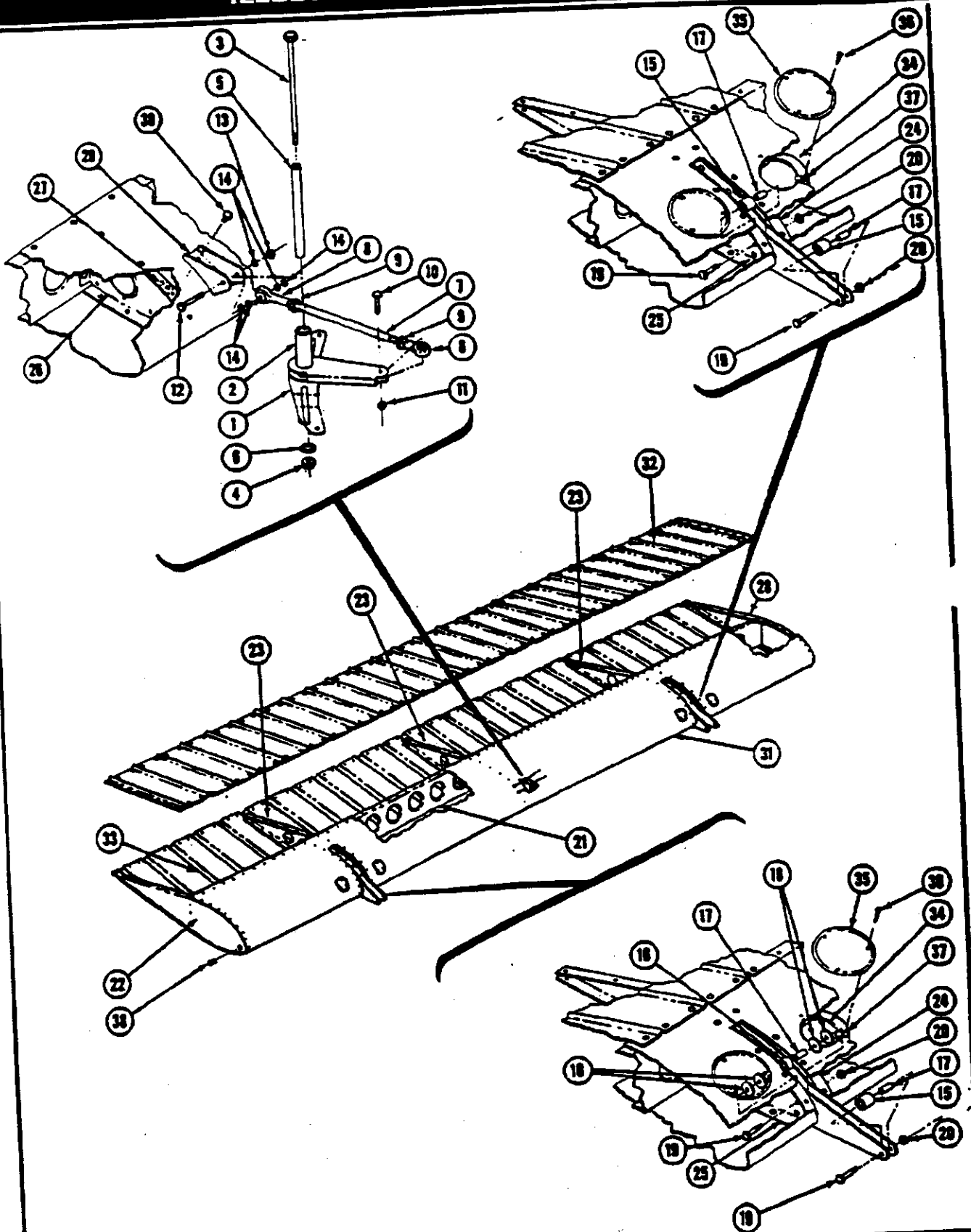


FIGURE 11. RIGHT FLAP INSTALLATION



RECEIVED SEP 10 1971 R 9 7 1 2 5 3

PARTS CATALOG REVISIONS

REFERENCE CATALOG NUMBER: P108-12

DATE: Feb. 26, 1971

CATALOG TITLE: 170B

TO: All Distributors and Dealers

FROM: Service Parts Center

TO ELIMINATE SHIPMENTS OF INCORRECT PARTS, PLEASE
CORRECT YOUR CATALOG IMMEDIATELY AS SHOWN BELOW.

CAT.	PAGE	FIG.	INDEX	CHANGE		REMARKS
				FROM	TO	
170B	107	65	27	N06	S338-10	Fairlead

Catalog Revisions

PLEASE CORRECT CATALOG AS SHOWN BELOW

Cat.	Page	Fig.	Index	CHANGE		REMARKS
				FROM	TO	
170	39	20	26	0513009-2	Change from Left to Right	
	39	20	26	0513009-3	Change from Right to Left	

TO ELIMINATE SHIPMENTS OF INCORRECT PARTS
PLEASE CORRECT CATALOGS IMMEDIATELY.

Catalog Revisions

PLEASE CORRECT CATALOG AS SHOWN BELOW

Cat.	Page	Fig.	Index	CHANGE		REMARKS
				FROM	TO	
170B	87	50	36	0450320-28		Order 9AX11-2 (Bulk)
	91	52		No Number	SK170-1	Engine baffle kit
	93	53		No number	SK170-2	Engine baffle kit
	94	54	22	0450320	0450320-16	Order AD79-9-2D (Bulk)
	100	59	4	AN515-10R8	1024 x 1/2	
	107B	65A	3	Deleted	0311323-4	Chain
	107B	65A	4	Deleted	0742200-6	Clip
	117	70	28	0411021-1	0712603-1	
	124E	72B	22	0500027-1	0500027-4	Cessna
					0500027-5	(170)
	135	77	31		0513004-10	Panel- Add in same column and directly above "Card-Compass"
	143	82	23			0552001-60 Not part of kit
		82	24			AN515-8R5 Not part of kit
		82	25			AN365-832 Not part of kit
	150	89		53-3-832	52-3-832	
	157	95	56	0541116-41	95-30593	
	157	95	57	0541116-42	95-5383	
	158	95	69	0541117-7	0541116-36	
	158	95	70	#10-24 NC x 7/8	95-5163	
	157	95	14	0441150-8		Delete "Tire" in description
	157	95	15	0441150-9		Delete "Tire" in description
	157	95	19	0541116-37		Delete - Not Available
	157	95	19	0541116-38		Delete - Not Available

TO ELIMINATE SHIPMENTS OF INCORRECT PARTS
PLEASE CORRECT CATALOGS IMMEDIATELY.

Catalog Revisions

PLEASE CORRECT CATALOG AS SHOWN BELOW

Cat.	Page	Fig.	Index	CHANGE		REMARKS
				FROM	TO	
170B	157	95	20	6:00 x 6	0441016-24	Move indentation to first column
	157	95	21	6:00 x 6	0441016-13	Move indentation to first column
	113A	68	69	NAS43HT-5-36	NAS42HT-5-36	Spacer
	34	18	6	0511000-24		Cap only. Refer to page #104, figure 63, item #1 for vent system
	41	21	54	0713495-26	0713495-18	Per revision notice of 11-58
	41	21	55	0713495-18	0713495-26	
	133	76	24	0500106-57	See remarks	Use 2 each AN844-6D elbow 1 each S51-6-13 hose 2 each NAS 397-12 clamp Per revision notice of 7-11-60

TO ELIMINATE SHIPMENTS OF INCORRECT PARTS
PLEASE CORRECT CATALOGS IMMEDIATELY.

The Cessna Aircraft Company
Wichita, Kansas

Sept. 1, 1956
Model 170B

Catalog Revisions

PLEASE CORRECT CATALOG AS SHOWN BELOW

Cat.	Page	Fig.	Index	CHANGE		REMARKS	
				FROM	TO		
170B	27	14	59	0332136-4	0332136-3	Abrasion boot kit (Add)	
	27	14	60		52-3-551		
	37	19	31	0510115-20	0791300-5		
	37	19	35	0510114-21	0791300-6		
	39	20	29	0510114-20	0791300-5		
	39	20	33	0510114-21	0791300-6		
	49	25	31	0512154-1			Delete
	57	31	12	0311710	0311710-6		
	57	31	16	0500101-45			Change Serial 26039 thru 26504 to read 26039 thru 26300.
				0500102-45			Change Serial 26505 thru 26995 to read 26301 thru 26995.
	65	35	26	25372	20524		Serial number change
				on	25372		Serial number change
	65	35	27	25372	20524		Serial number change
				on	25372		Serial number change
65	35	28	25372	20524	Serial number change		
			on	25372	Serial number change		
75	42	15	0411090-9	0411090-7			
79	46	2	0411098-6	DM 7653			
83	48	10	0552002-1	0552002-68			
83	48	11	0552002-2	0552002-71			
87	50	11	S-51-10-12	S51-10			
87	50	35	0450320-29		Order AD79-9-2 (Bulk)		

TO ELIMINATE SHIPMENTS OF INCORRECT PARTS
PLEASE CORRECT CATALOGS IMMEDIATELY.



CESSNA AIRCRAFT COMPANY

Wichita, Kansas



September 1, 1956

THIS SUPERCEDES ALL PREVIOUS MODEL 170B PARTS CATALOGS

FOREWORD

This illustrated Parts Catalog has been prepared to aid you in easily and quickly identifying parts of the Cessna 170B Series airplanes. To simplify the organization of the parts listings, the catalog has been divided into two sections. The first section contains all of the major assemblies, sub-assemblies, and parts of a standard equipped airplane. The second section consists of the Optional Equipment offered by Cessna for the 170B airplane.

INDEXES

This catalog features an index system consisting of:

1. An Alphabetical Index located in the front of the catalog.
2. A Pictorial Index, provided in Figure 1. - Airplane Assembly.
3. A Numerical Index located in the back of the catalog.
4. In the Numerical Index, each standard part is listed only under the first figure on which it is required, regardless of how often it appears in the catalog.

VENDORS NUMBERS

The use of vendor's numbers have been discontinued wherever possible. In their place, Cessna numbers have been assigned. This change has been made for the convenience and protection of all concerned. Vendors occasionally change their numbers or re-design their parts. When this happens, the vendor's numbers shown in the catalog are obsolete. This causes confusion and delay in filling your order. However, if the part is ordered under a Cessna part number, the correct part is shipped regardless of any change of the vendor's number.

STANDARD PARTS

For standard hardware items such as Tinnerman nuts, clamps, etc., "AN" and "NAS" numbers have been used. The vendor's numbers are also used to aid you in identifying the correct parts.

SERIAL LISTING

When a part is not used on all airplanes covered by this catalog, the serials of the airplanes, for which it is applicable, will be noted after the nomenclature of the part.

NON-INTERCHANGEABLE PARTS. — When the new and old style parts are not interchangeable, the applicable airplane serials for both parts will be listed and care should be exercised to be sure you are ordering the correct parts for a specific airplane.

INTERCHANGEABLE PARTS. — When the new style part is completely interchangeable with the old style part, both parts will be serialized, and the notation ("When exhausted use ____") will be entered immediately following the serial listing of the old style part. This means that the old style part should be used on the airplanes to which they apply until the supply of these parts have been exhausted - after which time, the new style parts should be used. This is done to simplify the stocking of parts by our distributors and dealers. The old style part is just as good, physically and functionally, as the new style part - the only difference being that the new style part can be used on more than one block of airplane serials.

SYMBOLS

NHA - The symbol "N.H.A." is an abbreviation for "Next Higher Assembly."

REF - The use of "Ref" in the "units per assembly column" denotes an item that is entered for reference purposes only. This item is a part of some assembly or sub-assembly listed elsewhere in the catalog. In each case, the figure listing the requirements of this item is shown in parenthesis immediately following the nomenclature.

AR - The symbol "A.R." (as required) is used to indicate bulk quantity where an indefinite amount is used.

PART NUMBER TERMS

Any part with its number appearing in the catalog may be ordered.

When the term "Deleted" appears, it means the part has been used previously but is no longer required.

When the term "No Number" appears, it means it is impractical to sell these parts as separate items. However, some vendors items listed in this manner may be purchased by contacting the vendor.

HOW TO ORDER

USE YOUR CATALOG TO ORDER PARTS. Use Parts and Accessories order form Number 807 or 808, which will be supplied by CESSNA on request. Give complete information on addresses and make sure that part number and part name are as shown in the catalog. Be sure to state quantities.

Be sure to specify how the order is to be shipped, otherwise it will be sent out in the manner that seems best to the shipper. Be sure to indicate model and serial number of the airplane. Serial number is very important to properly identify parts used on each airplane. Where color is involved, be sure to specify what color.

Factory hours are 7:30 A.M. to 4:00 P.M. Monday through Friday. All orders will be processed promptly within the above hours and in most cases will be shipped on the day received or on the following working day.

DISTRIBUTOR ORDERS

Distributors will send all orders to the factory with instructions as to the shipping destination. The factory prefers not to make C.O.D. shipments for the distributor and all billing will be made to the distributor in the case of direct shipments.

DEALER ORDERS

Dealers will place all of their parts order requirements with their distributor. The factory will not honor orders received directly from a dealer. It will be necessary for us to forward it to the distributor for his action. Therefore, dealer orders sent direct to the distributor will result in much faster delivery on any parts that are required.

RETAIL ORDERS

Retail orders will not be honored by the factory. They are to be placed with the dealer or distributor in the owner's territory and when received directly by the factory will be forwarded to the distributor from whose territory it was received. Considerable saving in time will again result to the owner if his orders are placed with his dealer or distributor.

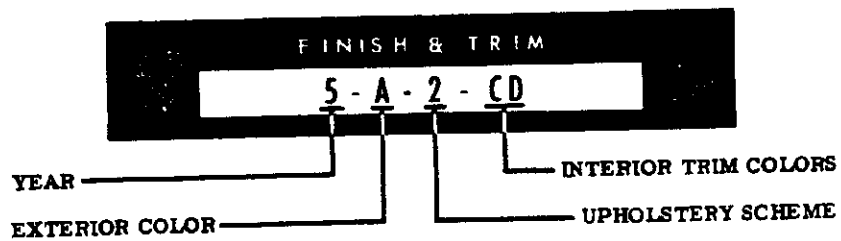
STANDARD PAINT COMBINATIONS				
Model 170B				
YEAR	EXTERIOR	INTERIOR	ENGINE	WHEELS
1957	INSIGNIA RED 5500	LIMA TAN 6600	MATADOR RED 6600	GULL GRAY ENAMEL 95-9375 SYNTHETIC
	SERGE BLUE 6600	LIMA TAN 6600	SERGE BLUE 6600	
1957	INSIGNIA RED 5500	NEW LIMA TAN 23-8642	NEW LIMA TAN 23-8642	GULL GRAY ENAMEL 95-9375 SYNTHETIC
	SERGE BLUE 6600	NEW LIMA TAN 23-8642	NEW LIMA TAN 23-8642	
1958	DEEP RED 27-10023	TROOPER TAN E23-9691	VICTORIA MAROON E23-10020	GULL GRAY ENAMEL 95-9375 SYNTHETIC
	DEEP BLUE 27-10024	TROOPER TAN E23-9691	YOSEMITE BLUE E23-10019	

FINISH & TRIM PLATE

Effective with the 1955 model 170B, a "FINISH AND TRIM" plate has been installed on the left rear door post directly below the M.A.A. name plate.

This plate indicates the model year, exterior paint color, upholstery scheme and interior trim colors.

The following diagram is an example showing the sequence and definition of each code symbol on the "FINISH AND TRIM" plate.



FINISH & TRIM NUMBER (5 - A - 2 - CD)

"5" = 1955 Model

"A" = Welsh Green Exterior Color

"2" = Rust & Tan Upholstery

"CD" = Trooper Tan & Autumn Rust Interior Trim

CODE CHART						
PAINT & UPHOLSTERY COMBINATIONS						
Model 170B						
YEAR	EXTERIOR COLOR	UPHOLSTERY SCHEME	INTERIOR TRIM COLORS			
CODE	CODE	COLOR	CODE	COLOR	CODE	COLOR
5	A	WELSH GREEN 27-11457	2	RUST & TAN	C	TROOPER TAN E23-9691
	B	CYPRIA METALLIC RED 27-10892			D	AUTUMN RUST 27-10894
	F	CHARTREUSE 27-11611	3	BLUE & GREY	E	YOSEMITE BLUE E23-10019
	G	TURQUOISE 27-11610				
6	A	PARCHMENT WHITE 27-12098	2	BLUE & IVORY	F	SHADOW BLUE 27-12319
	B	SCANDIA BLUE 27-12551			G	BLACK (GLOSS) 27-515
	C	STRATO BLUE 27-12552	3	RED & IVORY	H	PARCHMENT WHITE 27-12098
	D	CARDINAL RED 27-13601				
	E	BURMA GOLD 27-12555				

1. The first part of the document discusses the importance of maintaining accurate records of all transactions.

2. It also highlights the need for regular audits to ensure the integrity of the financial data.

3. Furthermore, the document emphasizes the role of transparency in building trust with stakeholders.

4. In addition, it outlines the various methods used to collect and analyze financial information.

5. The document also addresses the challenges associated with data collection and analysis in a dynamic market.

6. Finally, it provides a comprehensive overview of the current state of financial reporting and its future prospects.

7. The document concludes by reiterating the importance of continuous improvement in financial reporting practices.

8. Overall, the document serves as a valuable resource for anyone interested in the field of financial reporting.

9. It is hoped that this document will provide readers with a clear understanding of the complexities of financial reporting.

10. The document is intended to be a guide for practitioners and researchers alike, offering insights and practical advice.

11. The document is structured to provide a logical flow of information, starting with the basics and moving towards more advanced topics.

12. The document is written in a clear and concise style, making it accessible to a wide range of readers.

13. The document is a comprehensive and up-to-date resource on financial reporting, covering all aspects of the field.

14. The document is a must-read for anyone who wants to stay current in the field of financial reporting.

15. The document is a valuable addition to any library or collection of financial reporting materials.

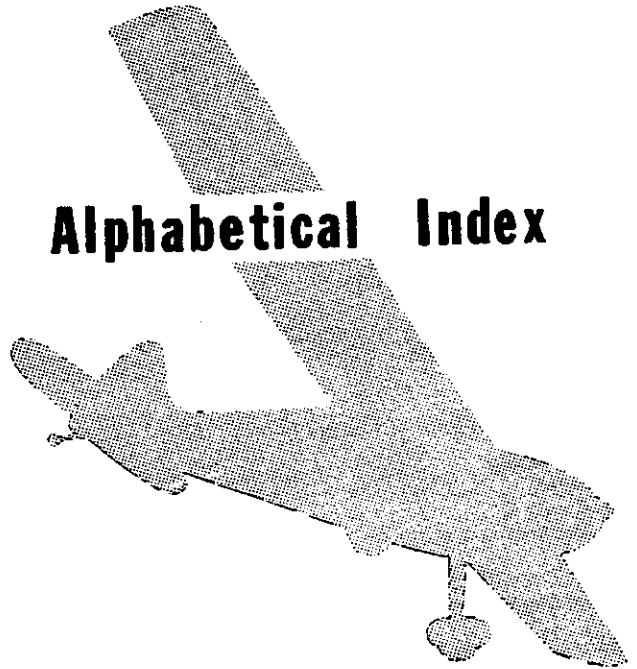
16. The document is a well-written and informative resource that provides a solid foundation for understanding financial reporting.

17. The document is a comprehensive and accessible resource that is essential for anyone in the field of financial reporting.

18. The document is a well-organized and informative resource that provides a clear and concise overview of financial reporting.

19. The document is a valuable and up-to-date resource that is essential for anyone interested in financial reporting.

Alphabetical Index



ILLUSTRATED PARTS CATALOG

ALPHABETICAL INDEX

PART NAME	PART NAME	PAGE
A		
Abrasion Boot		27
Actuator		
Elevator Tab		27
Stall Warning		5
Aileron		
Control System		109
Left Wing		10
Right Wing		21
Airplane Assembly		3
Airspeed Indicator		73, 77
Air Vent - Cabin		96
Altimeter		73, 77
Ammeter	70, 75, 75B, 75D	
Arm Rest	65, 67, 67D	
Ash Receiver	65, 67, 67D	
Assist		
Handle	37, 39	
Strap	65, 67, 67D	
Axle - Landing Gear		51
Axle - Ski		51
B		
Baffle - Engine	91, 93	
Baggage Shelf	65, 67, 67D	
Ball - Control Tube	70, 75, 75B, 75D	
Battery	117	
Battery Box	33	
Bellcrank		
Aileron - Left Wing	10	
Aileron - Right Wing	21	
Elevator	111	
Flap - Left Wing	13	
Flap - Right Wing	23	
Rudder	29	
Rudder Pedal	101B	
Belt - Safety	57, 59	
Blind Flying Kit	161	
Boots - Abrasion	27	
Box		
Battery	33	
Glove Compartment	69, 75, 75B, 75D	
Brake		
Assembly - Complete	51	
Disc - Rotating	52	
Lines	51, 99, 157	
Master Cylinder	100	
System	99	
Breaker-Circuit	71, 75B	
Bulb		
Dome Light	117	
Instrument Light	70, 73, 117	
Landing Light	150	
Map Light	117	
Stall Warning	69, 75, 75B	
Tail Light	29	
Wing Position Light	5, 15	
Bulkhead		
Landing Gear	41	
Rear Door Post	47	
C		
Cabin		
Air Scoop	9, 19	
Air Vent	96	
Door - Left	60	
Door - Right	63, 63B	
Heater - Gasoline	127B	
Heater - Manifold	94, 95	
Top Assembly	35	
Trim and Upholstery	65, 67, 67D	
Cable		
Aileron Control	109	
Battery	117	
Elevator Control	111	
Elevator Tab Control	115	
Flap Control	113	
Parking Brake	99	
Rudder Control	107	
Stainless Steel Kit - Floatplane	143	
Tailwheel Steering Control	107B	
Camera Provisions	164	
Cap - Fuel	5, 15	
Carburetor Air Temperature Gage	137, 139	
Card - Compass	72, 76, 133, 135	
Cargo Tie-down Lugs	163	
Chain		
Aileron Control	109	
Elevator Tab Control	115	
Cigar Lighter	69, 75, 75B, 75D	
Circuit Breaker	71, 75B	
Coat Hanger Hook	65A, 67A, 67D	
Compass	73, 77	
Compass Card	72, 76, 133, 135	
Cone - Fuselage Tail	49	
Control		
Aileron	109	
Cabin Air	75, 75B, 75D	
Cabin Heat	69, 75, 75B, 75D	
Carburetor Heat	69, 75, 75B, 75D	
Carburetor Mixture	69, 75, 75B, 75D	
Dual Control	164B	
Elevator	111	
Elevator Tab	115	
Flap	113	
Lock	161	
Parking Brake	69, 75, 75B	
Rudder	107	
Starter	69, 75, 75B	
Tailwheel Steering	107B	
Tee	102, 103A	
Throttle	69, 75, 75B, 75D	
Wheel	103, 103A	
Control Tube - Ball and Socket	70, 75, 75B, 75D	
Cover		
Door Post	65, 67	
Elevator Tab Control Wheel	115	
Front Seat	59	
Fuel Tank	5, 15	
Optional Instrument Openings	69, 70, 73, 75, 75B	
Rear Seat	77, 75D	
Seat	57	
Shock Panel	159	
Tailwheel Control Cable	72, 76	
	45A	

ILLUSTRATED PARTS CATALOG

ALPHABETICAL INDEX

PART NAME	PAGE	PART NAME	PAGE
C		F	
Cowl		Fairings	
Engine	81, 83, 83B	Empennage	3
Latch	81, 83, 83B	Rear Door Post	65, 67
Crosswind Landing Gear	157	Tailwheel	55
Cylinder Head Temperature Gage	140	Wheel	51, 157, 161
		Wing - Left	5
		Wing - Right	15
D		Fillet	
Decals	124E	Landing Gear	51
Category	69	Wing	33
Elevator Tab Position Indicator	115	Fin	
Fuse Panel	69	Front Spar	25
Headphone	69	Rear Spar	25
Map Light	67, 67D	Fin and Dorsal	25
Oil Specification	69	Fire Extinguisher	158
Operational Limitations	67D, 75, 75B	Firewall	37, 38
Panel Light	69, 75	Grommets	97
Service Information	75, 75B, 75D	Fittings - Floatplane	143
Spare Fuses	69, 75, 75B, 75D	Flap	
Water Rudder Retract	143	Control System	113
Winterization	146, 147	Left Wing	13
Disc - Rotating Brake	52	Lever	113
Dome Light	117	Right Wing	23
Door		Flares	151
Cowl	81, 83, 83B	Flasher - Navigation Light	153
Glove Compartment	69, 75, 75B, 75D	Floorboard	
Handle	61, 63, 63B	Fuselage Aft Section	45
Latch	61, 63, 63B	Fuselage Center Section	35
Lock	61	Fuselage Front Section	37, 38
Structure	61, 63, 63B	Landing Gear Support	41
Upholstery Panel	61, 63, 63B	Front Seat	59
Window	61, 63, 63B	Fuel Gage	5, 15
Duct - Cabin Heater	95	Fuel Selector Valve	105, 106
		Fuel System	105
		Fuel Tank	
		Left Wing	5
		Right Wing	15
		Fuselage	33
		Aft Section	45
		Electrical Wiring	117
		Front and Center Section	35
		Front Section	37, 38
		Tailcone	49
		Fuse Panel	78A
		G	
		Gage	
		Carburetor Air Temperature	137, 139
		Cylinder Head Temperature	140
		Fuel	5, 15
		Manifold Pressure	137, 139
		Oil Pressure	70, 77
		Oil Temperature	70, 77
		Gasoline Heater	127B
		Generator - 25 AMP	153
		Glove Compartment Box	69, 75, 75B, 75D
		Grommets - Firewall	97
		Ground Service Plug	153
		Ground Strap - Instrument Panel	72, 76
		Gyro Panel	133, 135
E			
Earphone			
Hook	65A, 67A		
Jack	69, 74, 75A		
Electrical Wiring Diagram	119, 120, 121, 122, 123, 124, 125		
Elevator	31		
Control System	111		
Hinge	31		
Pylon	31		
Spar	31		
Tab Actuator	27		
Tab - Control System	115		
Tip	31		
Torque Tube	87		
Engine	91, 93		
Baffles	81, 83, 83B		
Cowl	89		
Exhaust Stacks	87		
Mount	69, 75, 75B, 75D		
Primer			
Equipment Installation	117		
Fuselage Electrical Wiring	69, 74, 75A, 75B		
Stationary Instrument Panel	75C, 75D		
Exhaust Stack - Engine	89		
Extinguisher - Fire	158		

ILLUSTRATED PARTS CATALOG

ALPHABETICAL INDEX

PART NAME	PAGE	PART NAME	PAGE
L		P	
Map	117	Panel	
Stall Warning Indicator	69, 75, 75B	Door Upholstery	61, 63, 63B
Tail	29	Fuse	78A
Wing Position - Left	5	Gyro	133, 135
Wing Position - Right	15	Shock Instrument	72, 73, 76
Lighter - Cigar	69, 75, 75B, 75D	Stationary Instrument	70, 78, 78A, 78B
Lining - Brake	52	Switch and Fuse	71
Line		Pedal - Brake and Rudder	101, 101B
Brake	51, 99, 157	Pitot	
Breather	87	System	103
Fuel and Oil	105	Tube	6
Oil Pressure	87	Placards	124E
Pitot	103	Baggage	141
Primer	87, 105	Both Tanks On	124E
Lock		Flap Lever	113
Cabin Door	61	Heater Switch	127
Control	161	Plate	
Lugs - Cargo Tie-down	163	Floorboard Kick	65, 67A
M		Fuel Selector Valve	124E
Manifold Cabin Heater	94, 95	Fuselage Inspection	33
Manifold Pressure Gage	137, 139	Fuselage Splice	45A
Map Light	117	Instrument Panel Plexiglas	69, 75, 75B, 75D
Master Cylinder - Brake	100	Landing Gear Fillet	51
Microphone Jack	75, 75B	Name - MAA	33
Mooring Ring	24	Stabilizer Inspection	27
Mount		Wing Inspection	5, 15
Engine	87	Pneumatic Tailwheel	155
Instrument Panel Shock	72, 76	Position Light	
Muffler - Exhaust	89	Left Wing	5
N		Right Wing	15
Name Plate - MAA	33	Primer - Engine	69, 75, 75B, 75D
Navigation Light		Propeller	
Flasher	153	Metal	79
Left Wing	5	Optional	145
Right Wing	15	Spinner	79
Nose Cowl	81, 83, 83B	Wood	79
O		Pylon - Elevator	31
Oil Dilution System	148	R	
Oil Filter	149	Radio Speaker	117A
Oil Pressure Gage	70, 77	Rail - Front Seat	35
Oil System	105	Rear Seat	57
Oil Temperature Gage	70, 77	Receiver - Ash	65, 67, 67D
Optional Instruments	129, 131	Regulator - Voltage	117
		Rheostat - Instrument Panel Light	69, 75, 75B, 75D
		Ring - Mooring	24
		Rod Assembly	
		Aileron - Push-Pull	10, 21
		Flap - Push-Pull	13, 23
		Rudder	29
		Control System	107
		Hinge	29, 49
		Pedals	101, 101B
		Spars	29
		Tip	29
		Trim Tab	29

ILLUSTRATED PARTS CATALOG

ALPHABETICAL INDEX

PART NAME	PAGE	PART NAME	PAGE
S		S	
Safety Belt	57, 59	Structure	
Scoop		Cabin Door - Left	61
Cabin Air	9, 19	Cabin Door - Right	63
Carburetor Air	81, 83	Fuselage Front Section	37, 38
Seat		Wing - Left	6
Covers	159	Wing - Right	16
Front	59	Strut - Wing	24
Rear	57	Sun Visor	163
Shaft - Tachometer	72, 76	Switch	
Shelf - Baggage	65, 67, 67E	Dome Light	117
Shield - Rudder Bar	65A, 67A, 67E, 165	Flare	151
Shim		Heater	127
Landing Gear	51	Ignition	69, 75, 75A, 75D
Wing Adjustment	51	Landing Light	71, 75, 75B, 75D
Shock Panel - Instrument	72, 73, 76	Map Light	117
Shoulder Harness	144	Master	71, 75, 75B, 75D
Socket - Control Tube	70, 75, 75B, 75D	Navigation Lights	71, 75, 75B, 75D
Solenoid - Battery	117	Oil Dilution	148
Spar		Radio	71, 75, 75B, 75D
Elevator	31	Turn and Bank	71
Fin Front	25	System	
Fin Rear	25	Aileron Control	109
Fuselage Front	41	Brake	99
Fuselage Rear	47	Elevator Control	111
Rudder	29	Elevator Tab Control	115
Stabilizer - Front	27	Flap Control	113
Stabilizer - Rear	27	Fuel and Oil	105
Wing Front - Left	6	Oil Dilution	148
Wing Front - Right	16	Pitot	103
Wing Outboard Auxiliary - Left	8	Rudder Control	107
Wing Outboard Auxiliary - Right	18	Tailwheel Steering Control	107B
Wing Rear - Left	6		
Wing Rear - Right	16	T	
Speaker - Radio	117A	Tab	
Spinner - Propeller	79, 145	Elevator	31, 115
Spring		Rudder	29
Landing Gear	51	Tachometer	73, 77
Tailwheel	53, 54	Tachometer Shaft	72, 76
Stabilizer	27	Tail	
Front Spar	27	Cone - Fuselage	49
Hinge	27	Light	29
Rear Spar	27	Wheel Assembly	55, 155
Stall Warning		Wheel Steering	107B
Actuator	5	Tailpipe - Exhaust	89
Indicator	69, 75, 75B, 75D	Tailwheel Steering Control System	107B
Stationary Instrument Panel	70, 78, 78A, 78B	Tank	
Steering - Tailwheel	107B	Fuel - Left	5
Stencils	124E	Fuel - Right	15
Step Assembly		Tee - Control	102, 103A
Cabin	35	Thermocouple	140
Floatplane	143	Thermostat - Heater	127
Stop		Thumb Latch	63
Door Bracket	8, 18	Tie-down Lugs - Cargo	163
Elevator Bellcrank	49	Tip	
Elevator Tab Limit	115	Elevator	31
Strainer - Fuel	105	Rudder	29
Strap		Wing	8, 18
Assist	65, 67, 67D	Tire	
Battery Ground	117	Main Gear	51
Engine Mount Bonding	87	Tailwheel	55, 155
Instrument Panel Ground	72, 76		
Stretcher - Portable	141		

ILLUSTRATED PARTS CATALOG

ALPHABETICAL INDEX

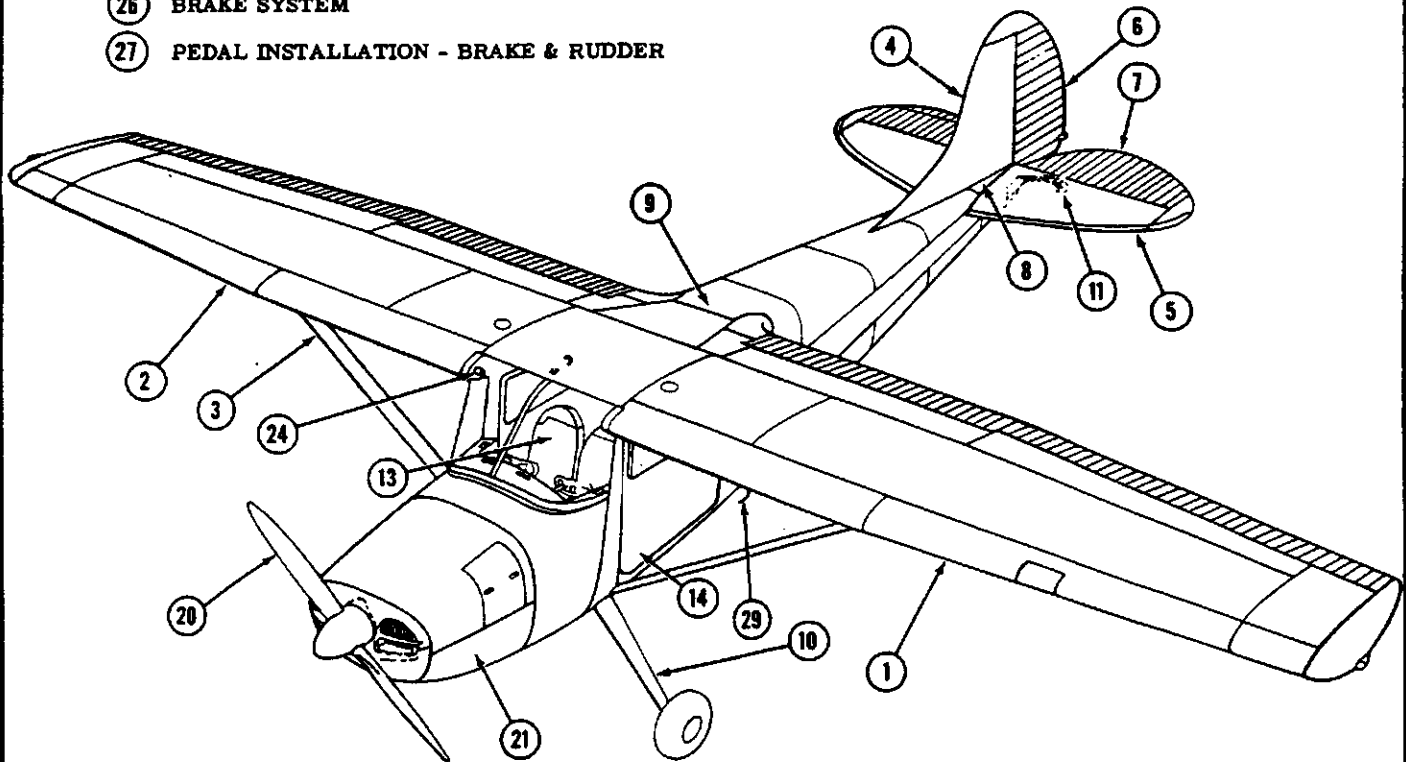
PART NAME	PAGE	PART NAME	PAGE
T		W	
Tube		Wing	
Aileron Carry Thru	109	Aileron - Left	10
Battery Drain	33	Aileron - Right	21
Cabin Air Vent	96	Fillet	33
Elevator Torque	31	Flap - Left	13
Pitot	6	Flap - Right	23
Turn and Bank Indicator	129, 131	Front Spar - Left	6
		Front Spar - Right	16
U		Installation LH	5
Universal Jack Point	163	Installation RH	15
Upholstery		Leading Edge - Left	9
Cabin Door Panels	61, 63, 63B	Leading Edge - Right	19
Interior	65, 67, 67D	Left	5
		Outboard Auxiliary Spar - Left	8
V		Outboard Auxiliary Spar - Right	18
Valve		Rear Spar - Left	6
Defroster	95A	Rear Spar - Right	16
Fuel Selector	105, 106	Right	15
Manifold Cabin Heater	94, 95	Structure - Left	6
Vent - Fuel Tank	35	Structure - Right	16
Visor - Sun	163	Strut	24
Voltage Regulator	117	Tip	8, 18
		Wing Unit - Stall Warning Indicator	5
W		Winterization Equipment	146, 147
Weight		Wiring	
Aileron Balance	10, 21	Diagram	119, 120
Elevator Balance	31	Installation	117
Rudder Balance	29		
Wheel			
Control	103, 103A		
Crosswind Gear	157		
Elevator Tab Control	115		
Fairings	161		
Main Gear	51, 52, 157		
Tail - Pneumatic	155		
Tail - Standard	55		
Window			
Cabin Door	61, 63, 63B		
Hinge	61, 63, 63B		
Latch	61, 63, 63B		
Rear	45		
Windshield	43		

Standard Equipment Section



ILLUSTRATED PARTS CATALOG

- 12 SEAT INSTALLATION - REAR
- 15 UPHOLSTERY INSTALLATION
- 16 STATIONARY INSTRUMENT PANEL EQUIPMENT INSTALLATION
- 17 SHOCK MOUNTED INSTRUMENT PANEL INSTALLATION
- 18 STATIONARY INSTRUMENT PANEL EQUIPMENT INSTALLATION
- 19 SHOCK MOUNTED INSTRUMENT PANEL INSTALLATION
- 22 ENGINE INSTALLATION
- 23 CABIN HEATER INSTALLATION
- 25 FIREPROOF GROMMET INSTALLATION
- 26 BRAKE SYSTEM
- 27 PEDAL INSTALLATION - BRAKE & RUDDER



- 28 CONTROL TEE INSTALLATION
- 30 FUEL & OIL SYSTEM
- 31 RUDDER CONTROL SYSTEM
- 32 TAILWHEEL STEERING CONTROL SYSTEM
- 33 AILERON CONTROL SYSTEM
- 34 ELEVATOR CONTROL SYSTEM
- 35 FLAP CONTROL SYSTEM
- 36 ELEVATOR TAB CONTROL SYSTEM
- 37 FUSELAGE ELECTRICAL EQUIPMENT & WIRING INSTALLATION
- 38 ELECTRICAL WIRING DIAGRAM
- 39 DECALS, PLACARDS, & EXTERIOR MARKINGS INSTALLATION

FIGURE 1. AIRPLANE ASSEMBLY

ILLUSTRATED PARTS CATALOG

FIGURE AND INDEX NO.	PARTS NUMBER	DESCRIPTION	UNITS PER ASSY
1-	0500010	Airplane Assembly	1
-1	See Figure 2	Wing Installation - Left	1
-2	See Figure 7	Wing Installation - Right	1
-3	See Figure 12	Strut Installation - Wing	1
	No Number	Empennage Installation	1
-4	See Figure 13	Fin & Dorsal Installation	1
-5	See Figure 14	Stabilizer Installation	1
-6	See Figure 15	Rudder Installation	1
-7	See Figure 16	Elevator Installation	1
-8	0530009	Fairing - Empennage LH	1
	0530009-1	Fairing - Empennage RH	6
	PK76XZ-8-8	Screw - (Attach fairing)	1
-9	See Figure 17	Fuselage Assembly	1
-10	See Figure 28	Landing Gear Installation	1
-11	See Figure 28	Tailwheel Installation - (Serial 20267 thru 20805)	1
	See Figure 29	Tailwheel Installation - (Serial 20806 & on)	1
-12	See Figure 31	Seat Installation - Rear	2
-13	See Figure 32	Seat Installation - Front	1
-14	See Figure 33	Door Installation - Cabin LH	1
	See Figure 34	Door Installation - Cabin RH (serial 20267 thru 26995)	1
	See Figure 34A	Door Installation - Cabin RH (serial 26996 & on)	1
-15	See Figure 35	Upholstery Installation - (Serial 20267 thru 25372)	1
	See Figure 36	Upholstery Installation - (Serial 25373 thru 26995)	1
	See Figure 36A	Upholstery Installation - (Serial 26996 & on)	1
-16	See Figure 37	Stationary Instrument Panel Equipment Installation - (Serial 20267 thru 25372)	1
-17	See Figure 40	Shock Mounted Instrument Panel Installation - (Serial 20267 thru 25372)	1
-18	See Figure 42	Stationary Instrument Panel Equipment Installation - (Serial 25373 thru 26038)	1
	See Figure 42A	Stationary Instrument Panel Equipment Installation - (Serial 26039 thru 26995)	1
	See Figure 42B	Stationary Instrument Panel Equipment Installation - (Serial 26996 & on)	1
-19	See Figure 43	Shock Mounted Instrument Panel Installation - (Serial 25373 & on)	1
-20	See Figure 46	Propeller Installation	1
-21	See Figure 47	Engine Cowl Installation - (Serial 20267 thru 25372)	1
	See Figure 48	Engine Cowl Installation - (Serial 25373 thru 26995)	1
	See Figure 48A	Engine Cowl Installation - (Serial 26996 & on)	1
-22	See Figure 49	Engine Installation	1
-23	See Figure 54	Cabin Heater Installation - (Serial 20267 thru 25372)	1
	See Figure 55	Cabin Heater Installation - (Serial 25373 & on)	1
-24	See Figure 56	Cabin Ventilation System	1
-25	See Figure 57	Fireproof Grommet Installation	1
-26	See Figure 58	Brake System	1
-27	See Figure 60	Pedal Installation - Brake & rudder (serial 20267 thru 26995)	1
	See Figure 60A	Pedal Installation - Brake & rudder (serial 26996 & on)	1
-28	See Figure 61	Control Tee Installation - (Serial 20267 thru 26995)	1
	See Figure 61A	Control Tee Installation - (Serial 26996 & on)	1
-29	See Figure 62	Pitot System	1
-30	See Figure 63	Fuel & Oil System	1
-31	See Figure 65	Rudder Control System	1
-32	See Figure 65A	Tailwheel Steering Control System - (Serial 26505 & on)	1
-33	See Figure 66	Aileron Control System	1
-34	See Figure 67	Elevator Control System	1
-35	See Figure 68	Flap Control System	1
-36	See Figure 69	Elevator Tab Control System	1
-37	See Figure 70	Fuselage Electrical Equipment & Wiring Installation	1
-38	See Figure 71	Electrical Wiring Diagram - (Serial 20267 thru 25372)	1
	See Figure 72	Electrical Wiring Diagram - (Serial 25373 thru 26995)	1
	See Figure 72A	Electrical Wiring Diagram - (Serial 26996 & on)	1
-39	See Figure 72B	Decals, Placards & Exterior Markings Installation	1

ILLUSTRATED PARTS CATALOG

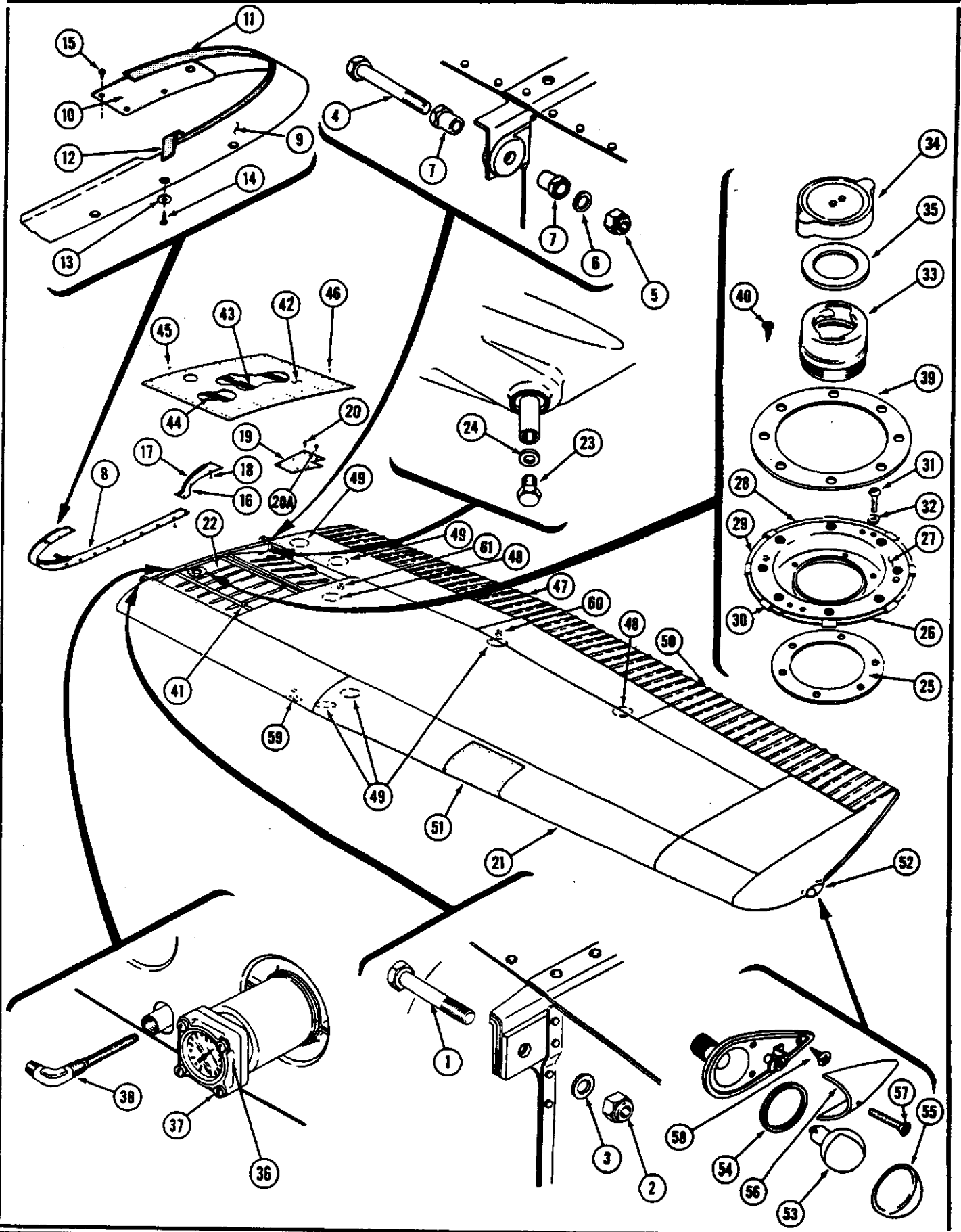


FIGURE 2. LEFT WING INSTALLATION

ILLUSTRATED PARTS CATALOG

FIGURE AND INDEX NO.	PARTS NUMBER	DESCRIPTION	UNITS PER ASSY
2-	No Number	Wing Installation - Left (see figure 1 for NHA) (0523006 Ref)	Ref
-1	AN8-23A	Bolt - (Attach wing front spar to fuselage)	1
-2	AN364-820	Nut - (Attach wing front spar to fuselage)	1
-3	AN960-816	Washer - (Attach wing front spar to fuselage)	1
-4	AN7-24A	Bolt - (Attach wing rear spar to fuselage)	1
-5	AN364-720	Nut - (Attach wing rear spar to fuselage)	1
-6	AN960-716	Washer - (Attach wing rear spar to fuselage)	2
-7	0512123	Bushing - (Attach wing rear spar to fuselage)	1
-8	0520005-12	Fairing Assembly - Left wing	1
-9	0520005-10	Fairing - Left wing	1
-10	0520005-6	Extension - Left wing fairing	1
-11	0520005-3	Rub Strip	1
-12	0520005-7	Rub Strip	7
-13	0411852	Washer - (Attach fairing)	7
-14	PK79XZ-8-8	Screw - (Attach fairing)	4
-15	PK76XZ-8-8	Screw - (Attach fairing)	1
-16	0520008	Fairing Assembly - Left wing rear lower	1
-17	X200	Moulding	4
-18	PK76XZ-8-8	Screw - (Attach fairing)	1
-19	0520007	Plate - Wing aft upper fairing	3
-20	AN520-10R5	Screw - (Attach fairing)	3
-20A	PK76XZ-8-8	Screw - (Attach fairing)	1
-21	No Number	Wing Assembly - Complete left	1
-22	0523005	Structure Assembly - Left wing (see figure 3 for breakdown)	1
-23	0523520-10	Tank Assembly - Left wing fuel	1
-24	AN814-4BL	Plug - Drain	1
-25	AN902-4	Gasket - Fuel tank drain	2
-26	0523532	Gasket - Fuel tank adapter	1
-27	0523529	Adapter Assembly - Fuel tank	1
-28	0523530	Adapter - Fuel tank	1
-29	0523530-2	Retainer Assembly	2
-30	NAS395-17-3	Strip - Retainer	8
-31	AN515-10R10	Nut - (Tinnerman A1348-8Z-3)	6
-32	0311001-27	Screw - (Attach adapter)	6
-33	0311240-17	Washer - (Attach adapter)	1
-34	0311360-4	Filler Neck - Fuel tank	1
-35	0311360-5	Cap Assembly - Fuel tank	1
-36	0422006-2	Gasket - Cap	1
-37	AN502-416-10	Gage - Fuel	4
	1114-5	Screw - (Attach fuel gage)	4
-38	0422130	Washer - Shakeproof	1
-39	0523531	Strainer Assembly - Fuel	1
-40	PK76XZ-8-10	Gasket - Strainer	8
-41	AN520-10R26	Screw - (Attach fuel tank adapter)	2
-42	AN365-1032	Screw - (Attach fuel tank straps)	2
-43	0523521-10	Nut - (Attach fuel tank straps)	1
-44	0523521-6	Cover Assembly - Left fuel tank top	1
-45	NAS228-12	Pad - Center hat section	1
-46	NAS228-8	Pad - Forward hat section	14
-47	No Number	Screw - (Attach fuel tank cover)	37
-48	0322128	Screw - (Attach fuel tank cover)	1
	PK76XZ-8-6	Flap Installation - Left wing (see figure 6 for breakdown)	2
-49	0311516	Plate - Inspection	8
	PK76XZ-8-8	Screw - (Attach inspection plate)	5
-50	No Number	Plate - Inspection	15
-51	0523115-2	Screw - (Attach inspection plate)	1
-52	0423006-1	Alleron Installation - Left wing (see figure 5 for breakdown)	1
-53	0423006-6	Plate - Landing light gap cover	1
-54	0423006-7	Light Assembly - Left wing position	1
-55	0423006-2	Bulb - Left wing position (12 volt)	1
-56	0423006-5	Gasket - Light - Wing position	1
-57	PK148-832-10	Lens - Left wing position light (red)	1
-58	PK76XZ-8-6	Fairing - Left wing position light	1
-59	0511062-4	Screw - (Attach fairing to lamp base)	3
	PK76XZ-8-6	Screw - (Attach light assembly to wing tip)	1
	NAS395-17-3	Wing Unit - Stall warning actuator (Safe Flight Inst. Corp. 1-02-000)	4
		Screw - (Attach stall warning actuator)	4
		Nut - (Attach stall warning actuator) (Tinnerman A1348-8Z-3)	4

ILLUSTRATED PARTS CATALOG

FIGURE AND INDEX NO.	PARTS NUMBER	DESCRIPTION	UNITS PER ASSY
2-60	NAS383-3	Pulley - Aileron control	1
	AN4-10A	Bolt - (Attach pulley)	1
	AN365-428	Nut - (Attach pulley)	1
	NAS382-2	Bushing - (Attach pulley)	1
	AN960-10L	Washer - (Attach pulley)	1
-61	NAS383-2	Pulley - Flap control	1
	AN3-7A	Bolt - (Attach pulley)	1
	AN365-1032	Nut - (Attach pulley)	1
	NAS382-1	Bushing - (Attach pulley)	1
	AN960-10	Washer - (Attach pulley)	AR

FIGURE AND INDEX NO.	PARTS NUMBER	DESCRIPTION	UNITS PER ASSY
3-	0523005	Structure Assembly - Left wing (see figure 2 for NHA)	Ref
-1	No Number	Leading Edge Assembly - Left wing (see figure 4 for breakdown)	1
-2	A2980A-4-27	Clamp - Tinnerman (attach pitot line)	1
-3	PK76XZ-8-8	Screw - (Attach clamp)	1
-4	NAS395-16-3	Nut - (Attach clamp) (A1789-8Z-3)	1
-5	0500005-74	Wire - Landing light	1
-6	0500005-81	Wire - Stall warning actuator	1
-7	0500005-38	Wire - Left navigation light	1
-8	A3046A-4	Clamp - Tinnerman (attach wires)	1
-9	PK76XZ-8-8	Screw - (Attach clamp)	1
-10	NAS446-4	Nut - (Tinnerman #A1778-8Z-3)	1
-11	0500106-53	Tube - Pitot	1
-12	0500106-54	Line - Pitot	1
-13	AN815-4D	Union - (Connect pitot tube)	1
-14	A2980A-4-27	Clamp - Tinnerman (attach pitot line)	2
	PK76XZ-8-8	Screw - (Attach clamp)	2
	NAS395-16-3	Nut - (Attach clamp) (A1789-8Z-3)	2
-15	0523301-1	Spar Assembly - Left wing front	1
-16	AN336F832	Nutplate	14
-17	0523524	Spacer	1
-18	PK86XA-10-10	Screw - Truss head (attach spacer)	2
-19	0523306	Fitting - Strut attachment	1
-20	AN5-7A	Bolt - (Attach strut fitting)	3
	AN960-516	Washer - (Attach strut fitting)	3
	AN364-524	Nut - (Attach strut fitting)	3
-21	0523507	Rib Assembly - Left fuel cell (Sta. 23.625)	1
	AN366F832	Nutplate	7
	NAS444-4	Nutplate	6
-22	0523522	Strap Assy - Fuel tank inboard	2
	0523522-5	Pad - Neoprene	1
-23	0523522-1	Strap Assy - Fuel tank outboard	2
	0523522-7	Pad - Neoprene	1
-24	0523519	Hat Section - Fuel tank lower	4
-25	0523540	Pad - Neoprene	3
-26	0523003-48	Doubler	1
-27	0523508-4	Rib Assembly - Left fuel cell (Sta. 57.125)	1
-28	AN366F832	Nutplate	11
-29	0523517-2	Spacer - Rib forward (Sta. 57.125)	1
-30	0523517-1	Spacer - Rib aft (Sta. 57.125)	1
-31	AN366F832	Nutplate	6
-32	0523509	Rib - Wing center section (Sta. 71.375 to 85.625)	2
-33	0523517-4	Spacer - Rib forward (Sta. 71.375)	1
-34	0523517-3	Spacer - Rib aft (Sta. 71.375)	1
-35	0523510	Rib - Wing center section (Sta. 100)	1
-36	0523511-3	Rib - Wing center section (Sta. 118)	1
-37	0523512-3	Rib - Wing center section (Sta. 136)	1
-38	0523513-3	Rib - Wing center section (Sta. 154)	1
-39	0523514-3	Rib - Wing center section (Sta. 172)	1
-40	0523515-3	Rib - Wing center section (Sta. 190)	1
-41	0523516-5	Rib - Wing center section (Sta. 208)	1
	NAS444-4	Nutplate - (Tinnerman A6191-8Z-3)	10
-42	0523400-14	Spar Assembly - Left wing rear	1
-43	0523400-50	Segment Assembly - (Rear spar inboard)(Sta. 23.625 to 100)	1
-44	0422229-3	Fitting - Wing spar reinforcement	2
-45	0523524	Spacer - Fuel tank	1

ILLUSTRATED PARTS CATALOG

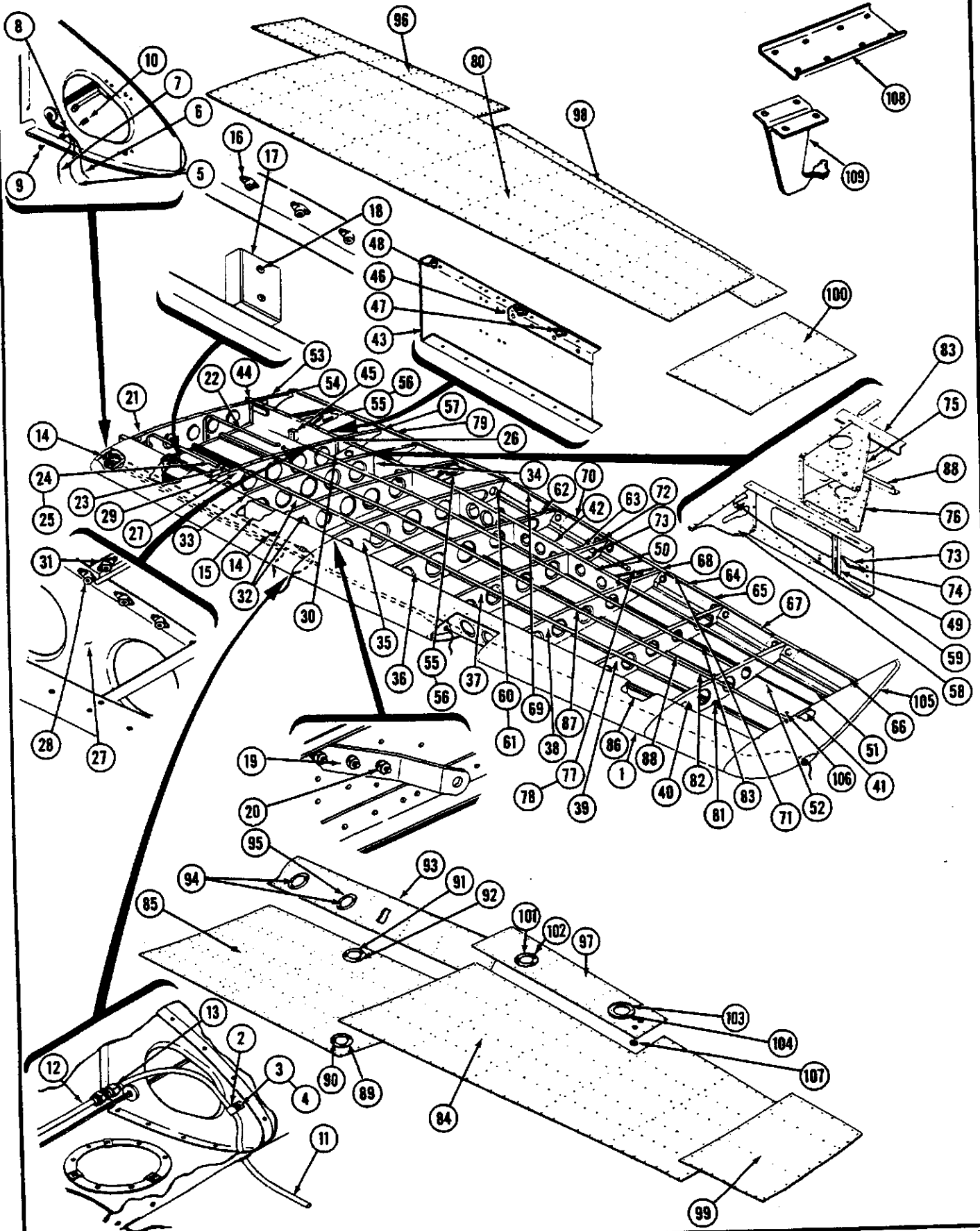


FIGURE 3. LEFT WING STRUCTURAL ASSEMBLY

ILLUSTRATED PARTS CATALOG

FIGURE AND INDEX NO.	PARTS NUMBER	DESCRIPTION	UNITS PER ASS'Y
3-	PK86XA-10-10	Screw - Truss head (attach fitting)	2
-46	0523400-20	Angle - Reinforcement	1
-47	AN366F832	Nutplate	12
-48	NAS450-8S	Nutplate	1
-49	0523409	Channel - Reinforcement	1
-50	0523406	Segment Assembly - Rear spar outboard (Sta. 100 to 154)	1
-51	0523003-40	Stringer - Upper	1
-52	0523003-40	Stringer - Lower	1
-53	NAS395-14-3	Nut - (Tinnerman A1274-8Z-3)	4
-54	0523232	Rib - Wing root trailing edge (Sta. 23.625)	1
-55	0523231	Rib Assembly - Flap track (Sta. 39 & Sta. 85.875)	2
-56	0523231-5	Bracket	2
-57	0523233-2	Rib - Wing trailing edge (Sta. 57.125)	1
-58	0523233	Rib Assembly - Wing trailing edge (Sta. 71.375)	1
-59	0523233-3	Rub Strip - Formica	1
-60	0523230	Rib Assembly - Wing trailing edge (Sta. 100.5)	1
-61	0523230-4	Angle	1
-62	0523511-4	Rib - Wing trailing edge (Sta. 118)	1
-63	0523512-4	Rib - Wing trailing (Sta. 136)	1
-64	0523005-50	Spar Assembly - Outboard auxiliary left	1
-65	0523206-2	Spar - Outboard auxiliary left	1
-66	0523813-3	Spacer - Trailing edge	1
-67	0523813-2	Spacer - Trailing edge	1
-68	0523813-4	Spacer - Trailing edge	1
-69	0523813-5	Spacer - Trailing edge	1
-70	0523216	Reinforcement	2
-71	0523215	Reinforcement	1
-72	0523408	Bracket - Aileron pulley	1
-73	0523407	Bracket - Flap pulley	1
-74	0523407-1	Bracket - Flap pulley	1
-75	0523539-2	Bracket - Flap bellcrank support upper	1
-76	0523539-4	Bracket - Flap bellcrank support lower	1
-77	0523219-2	Channel - Aileron bellcrank upper	1
-78	0523219-4	Channel - Aileron bellcrank lower	1
-79	0523234-2	Stiffener - Trailing edge inboard	1
-80	0523007-40	Skin - Upper (Sta. 57.125 to 190)	1
-81	0523541-1	Stringer - Upper	1
-82	0523541-3	Stringer - Upper	1
-83	0523541-5	Stringer - Upper	1
-84	0523003-74	Skin - Lower (Sta. 100 to 190)	1
-85	0523007-44	Skin - Lower (Sta. 23.625 to 100)	1
-86	0523541-7	Stringer - Lower	1
-87	0523541-9	Stringer - Lower	1
-88	0523541-11	Stringer - Lower	1
-89	0511000-20	Doubler - Inspection opening	1
-90	NAS395-14-3	Nut - (Tinnerman A1274-8Z-3)	3
-91	0322127	Doubler - Inspection opening	2
-92	NAS395-12-3	Nut - (Tinnerman A1786-8Z-3)	8
-93	0523007-10	Skin - Lower (Sta. 22.875 to 100)	1
-94	0511000-20	Doubler	2
-95	NAS395-14-3	Nut - (Tinnerman #A1274-8Z-3)	6
-96	0523007-42	Skin - Upper (Sta. 22.875 to 100)	1
-97	0523003-79	Skin - Lower (Sta. 100 to 154)	1
-98	0523003-80	Skin - Upper (Sta. 100 to 190)	1
-99	0523003-83	Skin - Lower (Sta. 189 to 208)	1
-100	0523003-81	Skin - Upper (Sta. 190 to 208)	1
-101	0511000-20	Doubler - Inspection opening	1
-102	NAS395-14-3	Nut - (Tinnerman A1274-8Z-3)	3
-103	0322127	Doubler - Inspection opening	1
-104	NAS395-14-3	Nut - (Tinnerman #A1786-8Z-3)	3
-105	0523700	Tip Assembly - Wing	1
	NAS445-5	Nutplate - (Attach navigation lights)	3
-106	PK76XZ-8-8	Screw - (Attach tip)	10
-107	NAS451-56	Plug Button (United Carr 48155)	1
-108	0523004-2	Channel - Door stop support	1
-109	0523004-10	Bracket Assembly - Left door stop (serial 20268 thru 26995)	1
	0523004-11	Bracket Assembly - Left door stop (serial 26996 & on)	1

ILLUSTRATED PARTS CATALOG

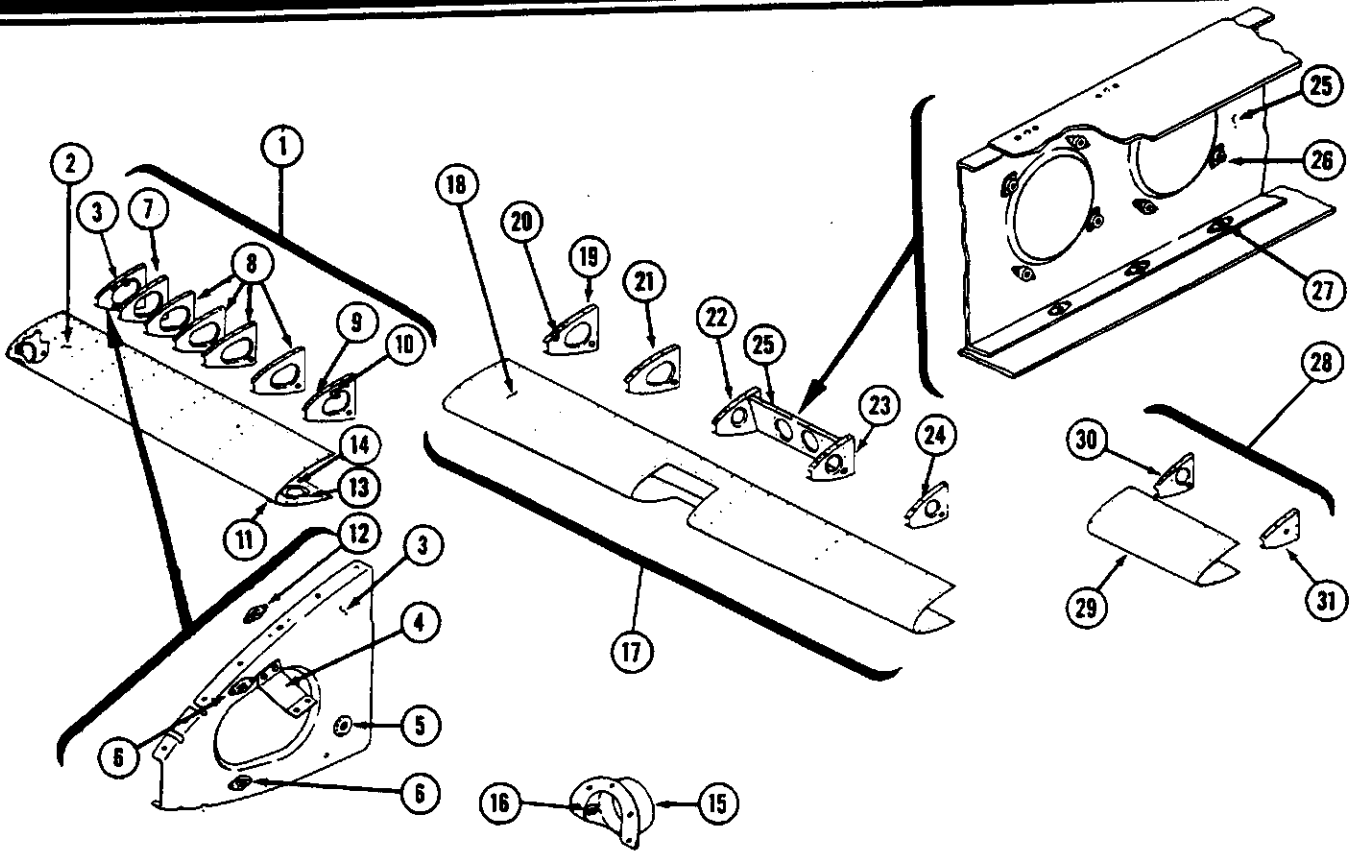


FIGURE 4. LEFT WING LEADING EDGE ASSEMBLY

FIGURE AND INDEX NO.	PARTS NUMBER	DESCRIPTION	UNITS PER ASSY
4-	No Number	Leading Edge Assembly - Left wing complete (See figure 3 for NHA) (0523005 Ref)	Ref
-1	0523005-54	Leading Edge Assembly - Left inboard (Sta. 23.625 to 100)	1
-2	0523007-2	Skin - (Sta. 23.625 to 100)	1
-3	0523107-2	Rib Assembly - Nose (Sta. 23.625)	1
-4	0422291	Bracket	1
-5	A230-A2	Grommet	2
-6	NAS444-5	Nutplate - (Tinnerman A6195-8Z-3)	1
-7	0523107	Rib Assembly - Nose (Sta. 32.000)	1
-8	AN230-A2	Grommet	4
-8	0523108	Rib Assembly - Nose (Sta. 40.375 to 71.375)	1
-8	AN230-A2	Grommet	1
-9	0523111-1	Rib Assembly - Nose (Sta. 85.625)	1
-10	0422292	Bracket	1
-10	AN230-A2	Grommet	1
-11	AN931-4-7	Grommet	2
-12	NAS444-5	Nutplate - (Tinnerman A6195-8Z-3)	1
-13	0511000-20	Doubler - Inspection opening	3
-14	NAS395-14-3	Nut - (Tinnerman A1274-8Z-3)	1
-15	0413157	Scoop - Cabin air ventilator	1
-16	NAS446-4	Nut Plate - (Tinnerman A1778-8Z-3)	1
-17	0523005-56	Leading Edge Assembly - Left center (Sta. 100 to 190)	1
-18	0523003-10	Skin - (Sta. 100 to 190)	1
-19	0523110-1	Rib Assembly - Nose (Sta. 100)	1
-20	NAS444-1	Nutplate - (Tinnerman A6191-6Z-3)	1
-20	AN230-A2	Grommet	1
-21	0523542-1	Rib Assembly - Nose (Sta. 118)	1
-21	AN230-A2	Grommet	1
-22	0523512-5	Rib Assembly - Nose (Sta. 136)	1
-22	AN230-A2	Grommet	1
-23	0523513-4	Rib Assembly - Nose (Sta. 154)	1
-23	AN230-A2	Grommet	1
-24	0523514-4	Rib Assembly - Nose (Sta. 172)	1

ORDER BY PART NUMBER AND NAME SERIAL NUMBER AND COLOR IF APPLICABLE

ILLUSTRATED PARTS CATALOG

FIGURE AND INDEX NO.	PARTS NUMBER	DESCRIPTION	UNITS PER ASS'Y
4-	AN230-A2	Grommet	1
-25	0523106	Bracket Assembly - Landing light	1
-26	AN366F832	Nutplate	8
-27	NAS444-5	Nutplate - (Tinnerman A6195-8Z-3)	18
-28	0523005-52	Leading Edge Assembly - Left outboard	1
-29	0523003-56	Skin - (Sta. 190 to 208)	1
-30	0523515-4	Rib Assembly - Nose (Sta. 190)	1
	AN230-2	Grommet	1
-31	0523516-4	Rib Assembly - Nose (Sta. 208)	1
	AN230-AD2	Grommet	1

FIGURE AND INDEX NO.	PARTS NUMBER	DESCRIPTION	UNITS PER ASS'Y
5-	No Number	Aileron Installation - Left wing (see figure 2 for NHA) (0523800 Ref)	Ref
-1	0523223	Bellcrank Assembly - Aileron	1
-2	0422280	Bushing	2
-3	B610	Bearing - Torrington	2
-4	0522629	Washer	1
-5	AN4-42A	Bolt - (Attach bellcrank)	2
-6	AN365-428	Nut - (Attach bellcrank)	2
-7	0523221	Bushing - (Attach bellcrank)	1
-8	0523222	Bushing - (Bellcrank stop)	1
	0523218	Rod Assembly - Aileron push-pull	1
-9	0523218-2	Rod - Aileron push-pull	1
-10	F34-14	End - Rod	2
-11	AN316-4R	Nut - Check	2
-12	AN3-7A	Bolt - (Attach aileron push-pull rod)	2
-13	AN365-1032	Nut - (Attach aileron push-pull rod)	2
-14	NAS229-8	Screw - (Attach aileron hinge to wing)	12
-15	AN365-1032	Nut - (Attach aileron hinge to wing)	12
-16	0523800	Aileron Assembly - Left wing	1
-17	0523806	Spar - Left aileron	1
-18	0523808	Rib #1 - Aileron	2
-19	0523809	Rib #2 - Aileron	1
-20	0523810	Rib #3 - Aileron	1
-21	0523811	Rib #4 - Aileron	1
-22	0523812-2	Bracket - Control	1
-23	NAS-455-163C-4-8	Rivet - (Attach bracket)	6
-24	0523814	Bracket - (Attach aileron weight)	1
-25	0523814-2	Bracket - (Attach aileron weight)	1
-26	0721109	Weight - Aileron balance	3
-27	0523800-6	Skin - Upper left inboard (Not available for spares)	1
-28	0523800-8	Skin - Upper left outboard	1
-29	0523800-10	Skin - Lower left inboard (Not available for spares)	1
-30	0523800-12	Skin - Lower left outboard	1
-31	0523813-1	Spacer	1
-32	0523813-8	Spacer	1
-33	0523813-6	Spacer	1
-34	0523813-7	Spacer	1
-35	0523807	Hinge Assembly - Aileron	3

ORDER BY PART NUMBER AND NAME

SERIAL NUMBER AND COLOR IF APPLICABLE

ILLUSTRATED PARTS CATALOG

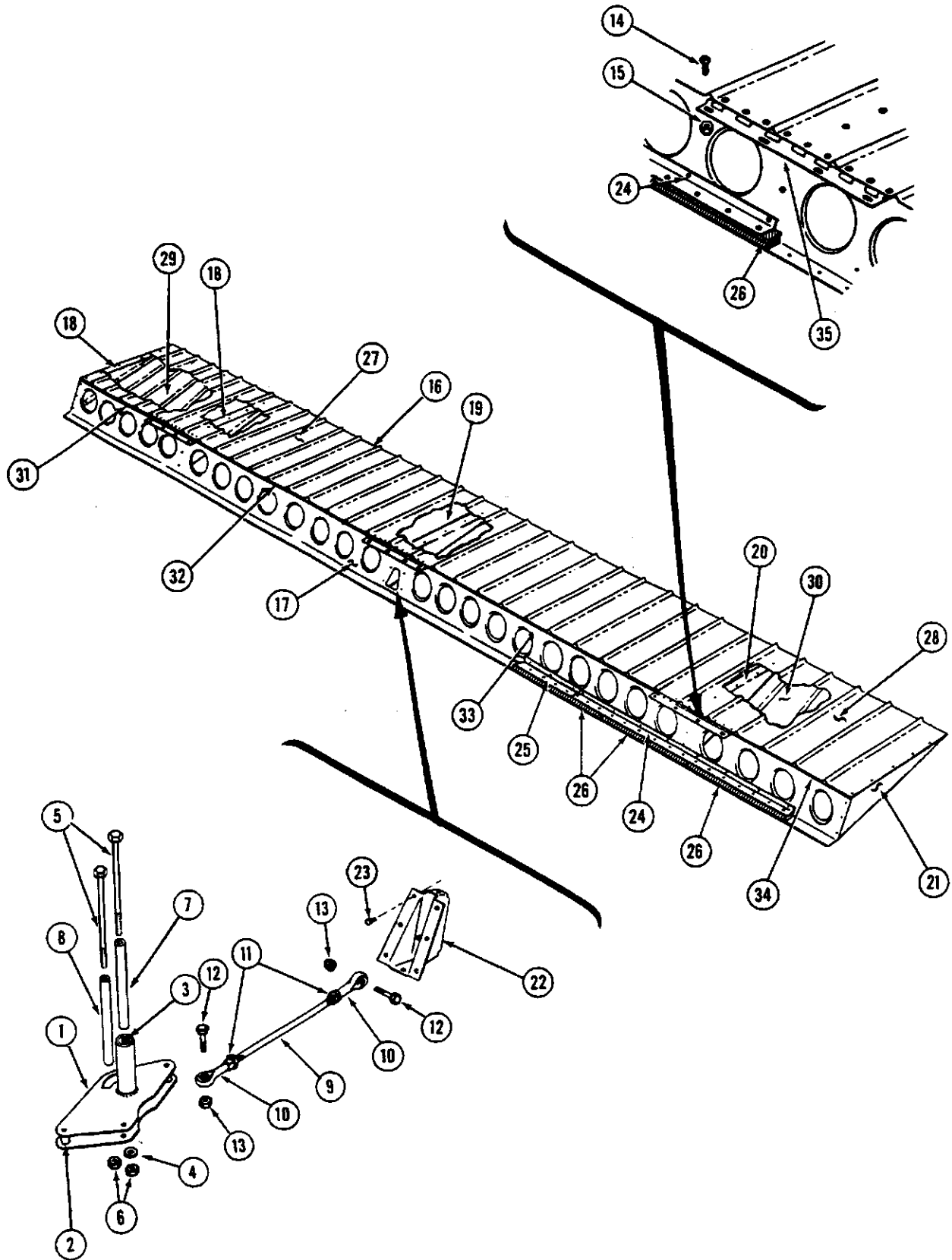


FIGURE 5. LEFT AILERON INSTALLATION

ILLUSTRATED PARTS CATALOG

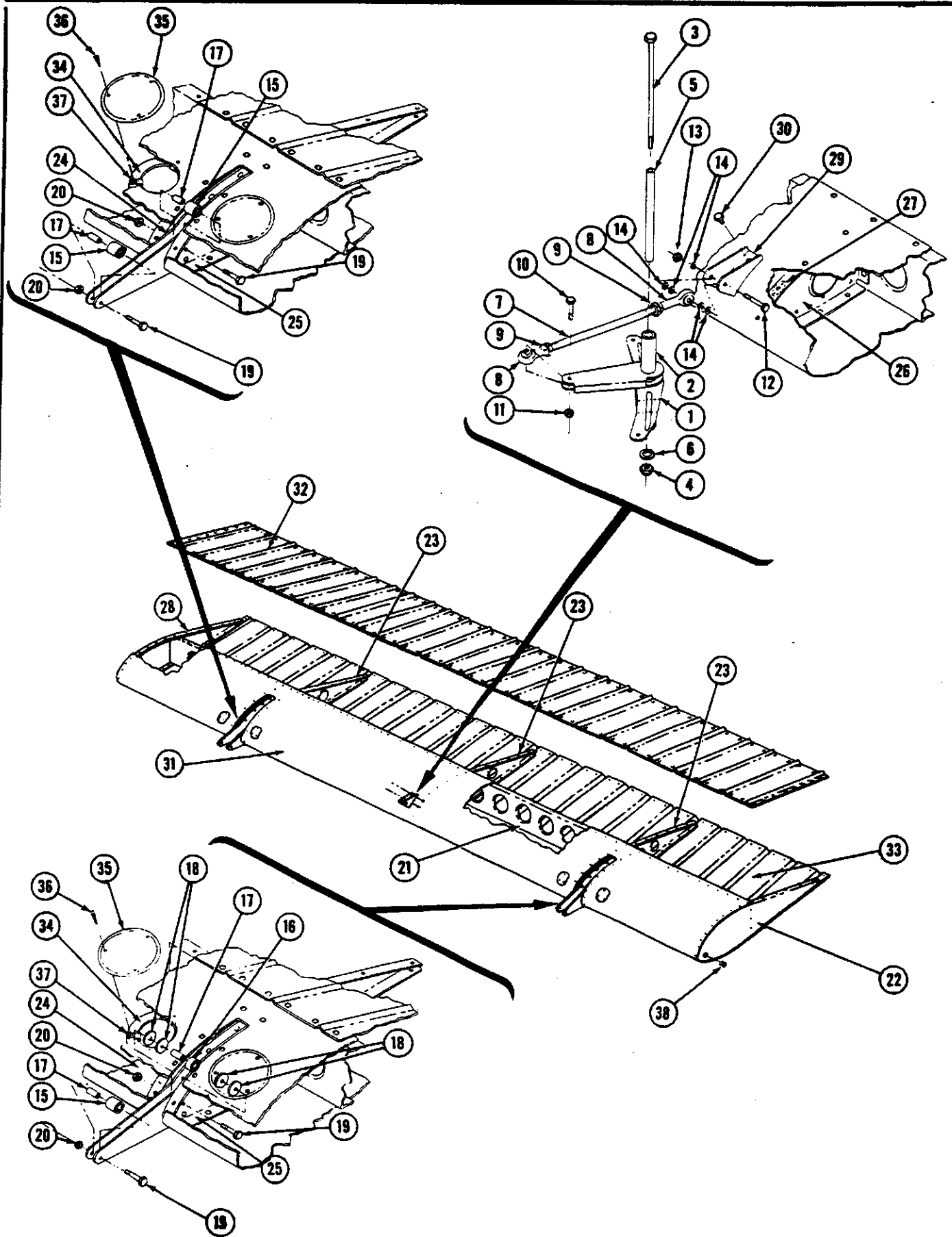


FIGURE 6. LEFT FLAP INSTALLATION

ILLUSTRATED PARTS CATALOG

FIGURE AND INDEX NO.	PARTS NUMBER	DESCRIPTION	UNITS PER ASS'Y
6-	No Number	Flap Installation - Left wing (see figure 2 for NBA)	Ref
-1	0523535	Bellcrank Assembly - Left flap	1
-2	B610	Bearing - Torrington	2
-3	AN4-60A	Bolt - (Attach flap bellcrank)	1
-4	AN365-428	Nut - (Attach flap bellcrank)	1
-5	0523536	Bushing - Flap bellcrank	1
-6	0522629	Washer - Flap bellcrank	1
	0523537	Rod Assembly - Flap push-pull	1
-7	0523537-2	Rod - Flap push-pull	2
-8	F34-14	End - Rod	2
-9	AN316-4R	Nut - Check	1
-10	AN3-7A	Bolt - (Attach push-pull rod to bellcrank)	1
-11	AN365-1032	Nut - (Attach push-pull rod to bellcrank)	1
-12	AN3-12A	Bolt - (Attach push-pull rod to flap)	1
-13	AN365-1032	Nut - (Attach push-pull rod to flap)	5
-14	AN960-10	Washer	3
-15	0523921	Roller Assembly - Flap attachment	1
-16	0523920	Roller Assembly - Flap attachment	4
-17	0523919	Bushing - Flap attachment roller	4
-18	0523922	Spacer - Flap (outboard roller only)	4
-19	AN3-10A	Bolt - (Attach flap to wing)	4
-20	AN365-1032	Nut - (Attach flap to wing)	1
	0523901	Flap Assembly - Left wing	1
-21	0523911	Spar - Flap	1
-22	0523912-1	Rib - Flap left end	3
-23	0523923	Rib - Flap trailing edge	2
-24	0523901-9	Rib Assembly - Flap support arm - Right	2
-25	0523901-8	Rib Assembly - Flap support arm - Left	1
-26	0523914-2	Rib Assembly - Flap leading edge center	2
-27	AN366F1032	Nutplate	1
-28	0523912	Rib - Flap right end	1
-29	0523918	Bracket - Flap control	2
-30	AN3-4A	Bolt - (Attach bracket)	1
-31	0523901-2	Skin - Left flap leading edge	1
-32	0523901-4	Skin - Left flap upper	1
-33	0523901-6	Skin - Left flap lower	4
-34	0523916	Doubler - Access hole	4
-35	0523917	Plate - Cover	12
-36	PK76XZ-8-8	Screw - (Attach cover)	12
-37	NAS395-13-3	Nut - (Tinnerman A6077-8Z-3) (attach cover)	2
-38	48172	Plug Button - (United Carr)	

ILLUSTRATED PARTS CATALOG

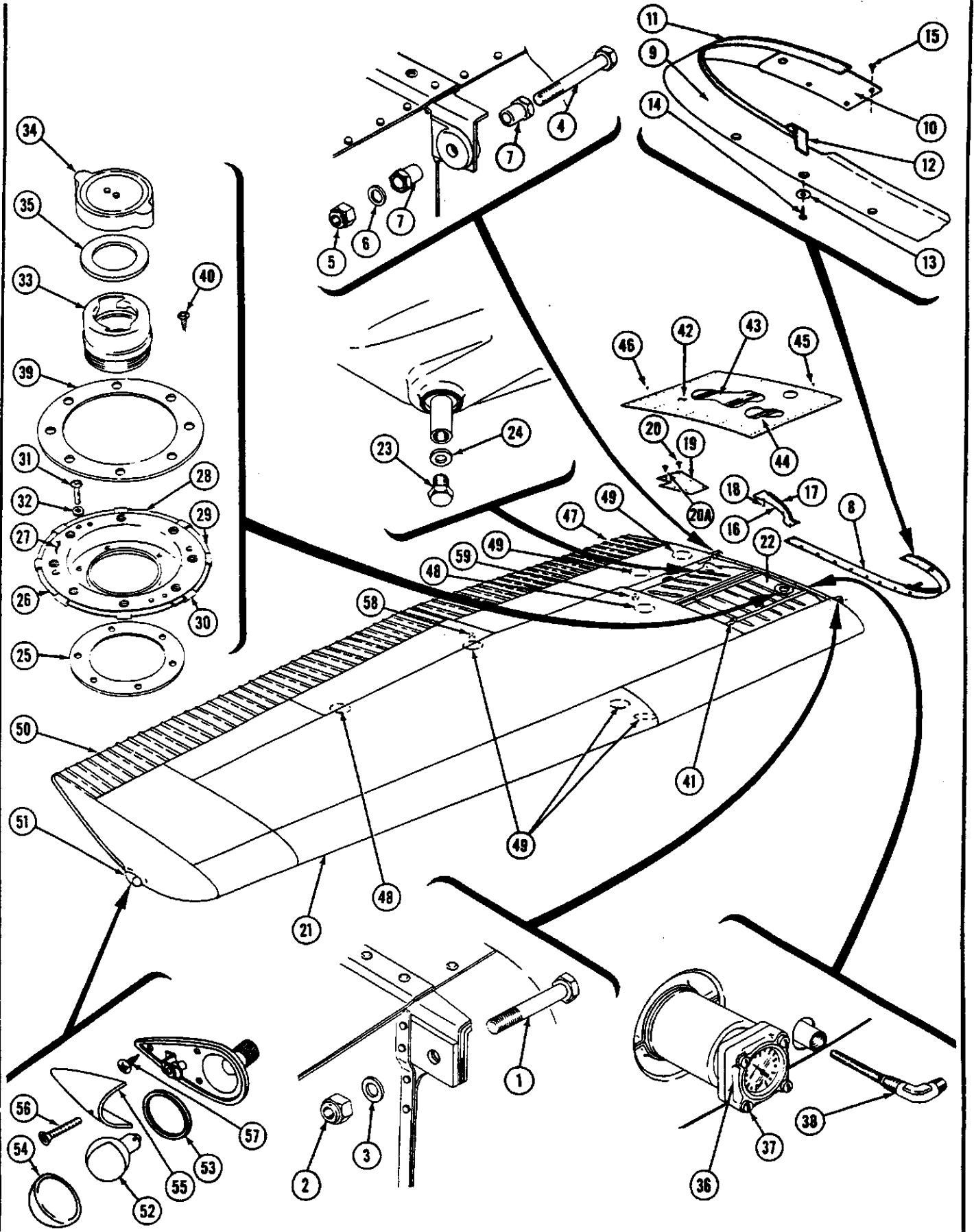


FIGURE 7. RIGHT WING INSTALLATION

ILLUSTRATED PARTS CATALOG

FIGURE AND INDEX NO.	PARTS NUMBER	DESCRIPTION	UNITS PER ASSY
7-	No Number	Wing Installation - Right (see figure 1 for NHA) (0523006 Ref)	Ref
-1	AN8-23A	Bolt - (Attach wing front spar to fuselage)	1
-2	AN364-820	Nut - (Attach wing front spar to fuselage)	1
-3	AN960-816	Washer - (Attach wing front spar to fuselage)	1
-4	AN7-24A	Bolt - (Attach wing rear spar to fuselage)	1
-5	AN364-720	Nut - (Attach wing rear spar to fuselage)	1
-6	AN960-716	Washer - (Attach wing rear spar to fuselage)	1
-7	0512123	Bushing - (Attach wing rear spar to fuselage)	2
-8	0520005-13	Fairing Assembly - Right wing	2
-9	0520005-11	Fairing - Right wing	1
-10	0520005-6	Extension	1
-11	0520005-3	Rub Strip	1
-12	0520005-7	Rub Strip	1
-13	0411852	Washer - (Attach fairing)	7
-14	PK79XZ-8-8	Screw - (Attach fairing)	7
-15	PK76XZ-8-8	Screw - (Attach fairing)	18
-16	0520008-1	Fairing Assembly - Right wing rear lower	1
-17	X200	Moulding	1
-18	PK76XZ-8-8	Screw - (Attach fairing)	4
-19	0520007-1	Plate - Wing aft fairing	1
-20	AN520-10R5	Screw - (Attach fairing)	3
-20A	PK76XZ-8-8	Screw - (Attach fairing)	3
-21	No Number	Wing Assembly - Complete right	1
-22	0523005-1	Structure Assembly - Right wing (see figure 8 for breakdown)	1
-23	0523520-11	Tank Assembly - Right wing fuel	1
-24	AN814-4BL	Plug - Drain	1
-25	AN902-4	Gasket - Fuel tank drain	2
-26	0523532	Gasket - Fuel tank adapter	1
-27	0523520-8	Adapter Assembly	1
-28	0523529	Adapter - Fuel tank	1
-29	0523530	Retainer Assembly - Fuel tank	1
-30	0523530-2	Strip - Retainer	2
-31	NAS395-17-3	Nut - (Timmerman #A1348-8Z-3)	8
-32	AN520-10R10	Screw - (Attach adapter)	6
-33	0311001-27	Washer - (Attach adapter)	6
-34	0311240-17	Filler Neck - Fuel tank	1
-35	0311360-4	Cap Assembly - Fuel tank	1
-36	0311360-5	Gasket - Cap	1
-37	0422006-2	Gage - Fuel	1
-38	3175-15	Gasket - (Attach fuel gage) (Scott)	1
-39	AN502-416-10	Screw - (Attach fuel gage)	4
-40	1114-5	Washer - Shakeproof (attach fuel gage)	4
-41	0422130	Strainer Assembly - Fuel	1
-42	0523531	Gasket - (Adapter assembly)	1
-43	PK76XZ-8-10	Screw - (Attach fuel tank adapter)	8
-44	AN520-10R26	Screw - (Attach fuel tank straps)	2
-45	AN365-1032	Nut - (Attach fuel tank straps)	2
-46	0523521-11	Cover Assembly - Right tank top	1
-47	0523521-5	Pad - Center hat section	1
-48	0523521-6	Pad - Forward hat section	1
-49	NAS228-12	Screw - (Attach fuel tank cover)	14
-50	NAS228-8	Screw - (Attach fuel tank cover)	37
-51	No Number	Flap Installation - Right wing (see figure 11 for breakdown)	1
-52	0322128	Plate - Inspection	1
-53	PK76XZ-8-6	Screw - (Attach inspection plate)	8
-54	0311516	Plate - Inspection	5
-55	PK76XZ-8-8	Screw - (Attach inspection plate)	15
-56	No Number	Aileron Installation - Right wing (see figure 10 for breakdown)	1
-57	0423006-3	Light Assembly - Right wing position	1
-58	0423006-6	Bulb - Wing position light (12 volts)	1
-59	0423006-7	Gasket - Light - Wing position	1
-60	0423006-4	Lens - Right wing position light (green)	1
-61	0423006-5	Fairing - Wing position light	1
-62	PK148-632-10	Screw - (Attach fairing to lamp base)	1
-63	PK76XZ-8-6	Screw - (Attach light assembly to wing tip)	3
-64	NAS383-3	Pulley - Aileron control	1
-65	AN4-10A	Bolt - (Attach pulley)	1
-66	AN365-428	Nut - (Attach pulley)	1
-67	NAS382-2	Bushing - (Attach pulley)	1
-68	AN960-10L	Washer - (Attach pulley)	1

See figure 66 for exploded view

ILLUSTRATED PARTS CATALOG

FIGURE AND INDEX NO.	PARTS NUMBER	DESCRIPTION	UNITS PER ASSY
7-59	NAS383-2	Pulley - Flap control	1
	AN3-7A	Bolt - (Attach pulley)	1
	AN365-1032	Nut - (Attach pulley)	1
	NAS382-1	Bushing - (Attaching pulley)	1
	AN960-10	Washer - (Attach pulley)	AR

FIGURE AND INDEX NO.	PARTS NUMBER	DESCRIPTION	UNITS PER ASSY
8-	0523005-1	Structure Assembly - Right wing (see figure 7 for NHA)	Ref
-1	No Number	Leading Edge Assembly - Right wing (see figure 9 for breakdown)	1
-2	0500005-37	Wire - Right navigation light	1
-3	A2980A-3	Clamp - Tinnerman (attach wire)	1
-4	PK76XZ-8-8	Screw - (Attach clamp)	1
-5	NAS446-4	Nut - (Tinnerman #A1778-8Z) (attach clamp)	1
-6	0523301-2	Spar Assembly - Right wing front	1
-7	AN366F832	Nutplate	14
-8	0523524	Spacer	1
-9	PK86XA-10-10	Screw - Truss head (attach spar)	2
-10	0523306	Fitting - Strut attachment	1
-11	AN5-7A	Bolt - (Attach strut fitting)	3
	AN960-516	Washer - (Attach strut fitting)	3
	AN364-524	Nut - (Attach strut fitting)	3
-12	0523507-1	Rib Assembly - Right fuel cell (Sta. 23.625)	1
	AN366F832	Nutplate	7
	NAS444-4	Nutplate - (Tinnerman A6191-8Z-3)	6
-13	0523522	Strap Assembly - Fuel tank inboard	2
	0523522-5	Pad - Neoprene	1
-14	0523522-1	Strap Assembly - Fuel tank outboard	2
	0523522-5	Pad - Neoprene	1
-15	0523519	Hat Section - Fuel tank lower	4
-16	0523540	Pad - Neoprene	3
-17	0523003-48	Doubler	1
-18	0523508-5	Rib Assembly - Right fuel cell (Sta. 57.125)	1
-19	AN366F832	Nutplate	11
-20	0523517-2	Spacer - Rib forward (Sta. 57.125)	1
-21	0523517-1	Spacer - Rib aft (Sta. 57.125)	1
-22	AN366F832	Nutplate	6
-23	0523509	Rib - Wing center section (Sta. 71.375 & 85.625)	2
-24	0523517-4	Spacer - Rib forward (Sta. 71.375)	1
-25	0523517-3	Spacer - Rib aft	1
-26	0523510-1	Rib - Wing center section (Sta. 100)	1
-27	0523511-3	Rib - Wing center section (Sta. 118)	1
-28	0523512-3	Rib - Wing center section (Sta. 136)	1
-29	0523513-6	Rib - Wing center section (Sta. 154)	1
-30	0523514-3	Rib - Wing center section (Sta. 172)	1
-31	0523515-3	Rib - Wing center section (Sta. 190)	1
-32	0523516-5	Rib - Wing center section (Sta. 208)	1
	NAS444-4	Nutplate - (Tinnerman A6191-8Z-3)	10
-33	0523400-15	Spar Assembly - Right wing rear	1
-34	0523400-51	Segment Assembly - Rear spar inboard (Sta. 23.625 to 100)	1
-35	0422229-3	Fitting - Wing spar reinforcement	2
-36	0523524	Spacer - Fuel tank	1
	PK86XA-10-10	Screw - Truss head (attach spacer)	2
-37	0523400-21	Angle - Reinforcement	1
-38	AN366F832	Nutplate	12
-39	NAS450-8S	Nutplate	1
-40	0523409	Channel - Reinforcement	1
-41	0523406-1	Segment Assembly - Rear spar outboard (Sta. 100 to 154)	1
-42	0523003-40	Stringer	2
-43	NAS395-14-3	Nut - (Tinnerman A1274-8Z-3)	4
-44	0523232	Rib - Wing root trailing edge (Sta. 23.625)	1
-45	0523231	Rib Assembly - Flap track (Sta. 39 & 85.875)	2
-46	0523231-5	Bracket	1
-47	0523233-2	Rib - Wing trailing edge (Sta. 57.125)	1
-48	0523233	Rib Assembly - Wing trailing edge (Sta. 71.375)	1
-49	0523233-3	Rub Strip- Formica	1
-50	0523230-1	Rib Assembly - Wing trailing edge (Sta. 100.5)	1
-51	0523230-5	Angle	1
-52	0523511-4	Rib - Wing trailing edge (Sta. 118)	1

ILLUSTRATED PARTS CATALOG

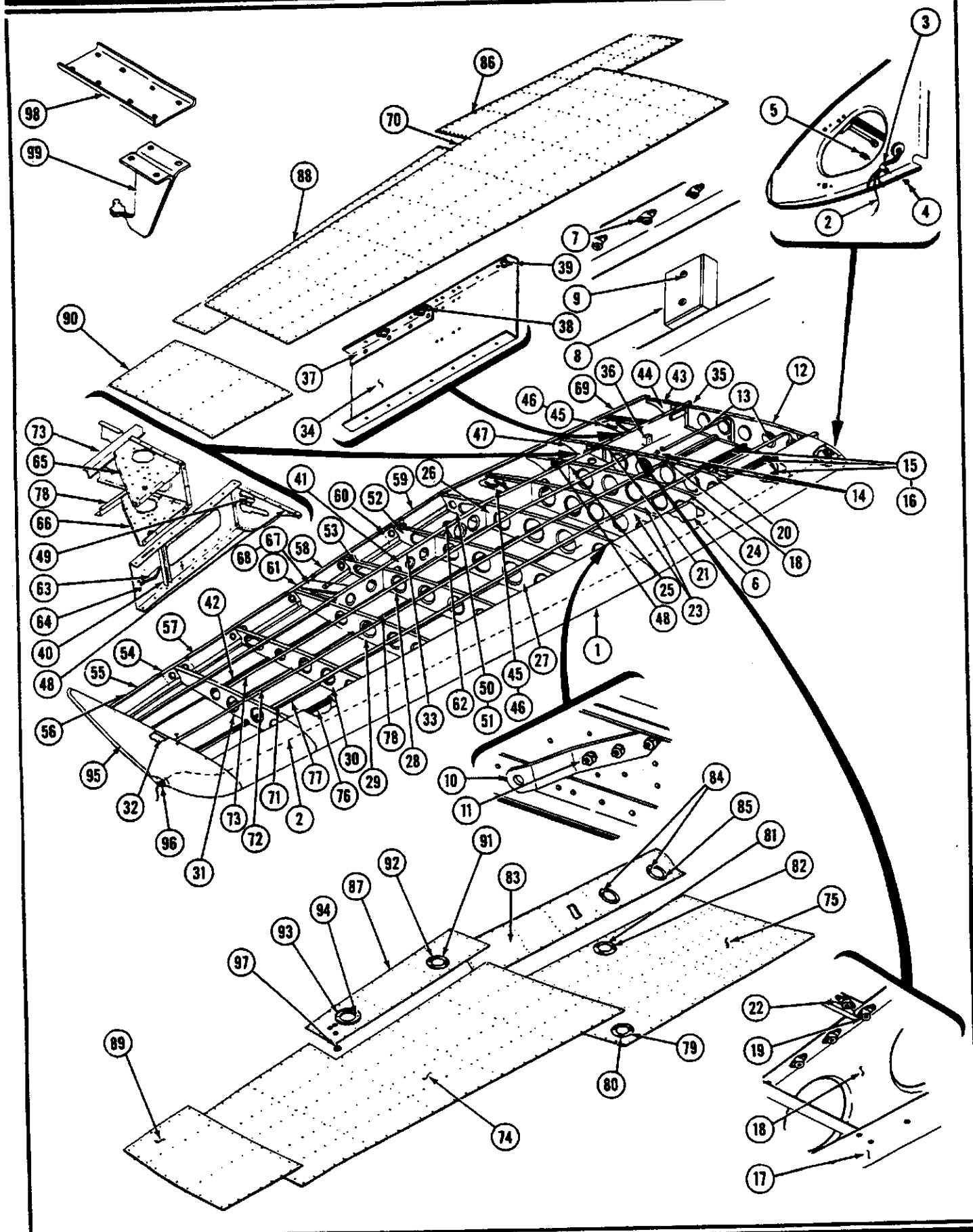


FIGURE 8. RIGHT WING STRUCTURAL ASSEMBLY

ILLUSTRATED PARTS CATALOG

FIGURE AND INDEX NO.	PARTS NUMBER	DESCRIPTION	UNITS PER ASS'Y
8-53	0523512-4	Rib - Wing trailing edge (Sta. 138)	1
-54	0523005-51	Spar Assembly - Outboard auxiliary right	1
-55	0523208-3	Spar - Outboard auxiliary right	1
-56	0523813-3	Filler - Trailing edge	1
-57	0523813-2	Filler - Trailing edge	1
-58	0523813-4	Filler - Trailing edge	1
-59	0523813-5	Filler - Trailing edge	1
-60	0523216	Reinforcement	2
-61	0523215-1	Reinforcement	1
-62	0523408	Bracket - Aileron pulley	1
-63	0523407-1	Bracket - Flap pulley	1
-64	0523407	Bracket - Flap pulley	1
-65	0523539-3	Bracket - Flap bellcrank support upper	1
-66	0523539-5	Bracket - Flap bellcrank support lower	1
-67	0523219-3	Channel - Aileron bellcrank upper	1
-68	0523219-5	Channel - Aileron bellcrank lower	1
-69	0523234-2	Stiffener - Trailing edge	1
-70	0523007-40	Skin - Upper (Sta. 57.125 to 190.00)	1
-71	0523541-2	Stringer - Upper	1
-72	0523541-4	Stringer - Upper	1
-73	0523541-6	Stringer - Upper	1
-74	0523003-74	Skin - Lower center section (Sta. 100.00 to 190.00)	1
-75	0523007-44	Skin - Lower (Sta. 23.625 to 100.00)	1
-76	0523541-8	Stringer - Lower	1
-77	0523541-10	Stringer - Lower	1
-78	0523541-12	Stringer - Lower	1
-79	0511000-20	Doubler	1
-80	NAS395-14-3	Nut - (Tinnerman A1274-8Z-3)	3
-81	0322127	Doubler - Inspection opening	2
-82	NAS395-12-3	Nut - (Tinnerman A1786-8Z-3)	8
-83	0523007-9	Skin - Lower trailing edge (Sta. 22.875 to 100.00)	1
-84	0511000-20	Doubler - Inspection opening	2
-85	NAS395-14-3	Nut - (Tinnerman #A1274-8Z-3)	6
-86	0523007-42	Skin - Upper trailing edge (Sta. 22.875 to 100.00)	1
-87	0523003-79	Skin - Lower trailing edge (Sta. 100.00 to 154.00)	1
-88	0523003-80	Skin - Upper trailing edge (Sta. 100.00 to 190.00)	1
-89	0523003-83	Skin - Lower trailing edge (Sta. 189.5 to 208.00)	1
-90	0523003-81	Skin - Upper trailing edge (Sta. 190.00 to 208.00)	1
-91	0511000-20	Doubler - Inspection opening	1
-92	NAS395-14-3	Nut - (Tinnerman #A1274-8Z-3)	3
-93	0322127	Doubler - Inspection opening	1
-94	NAS395-14-3	Nut - (Tinnerman #A1274-8Z-3)	3
-95	0523700	Tip Assembly - Wing	1
-96	NAS445-5	Nutplate - (Attach navigation light)	3
	PK76XZ-8-8	Screw - (Attach tip)	10
-97	NAS451-56	Plug Button - (United Carr #48155)	1
-98	0523004-2	Channel - Door stop support	1
-99	0523004-11	Bracket Assembly - Right door stop	1

ILLUSTRATED PARTS CATALOG

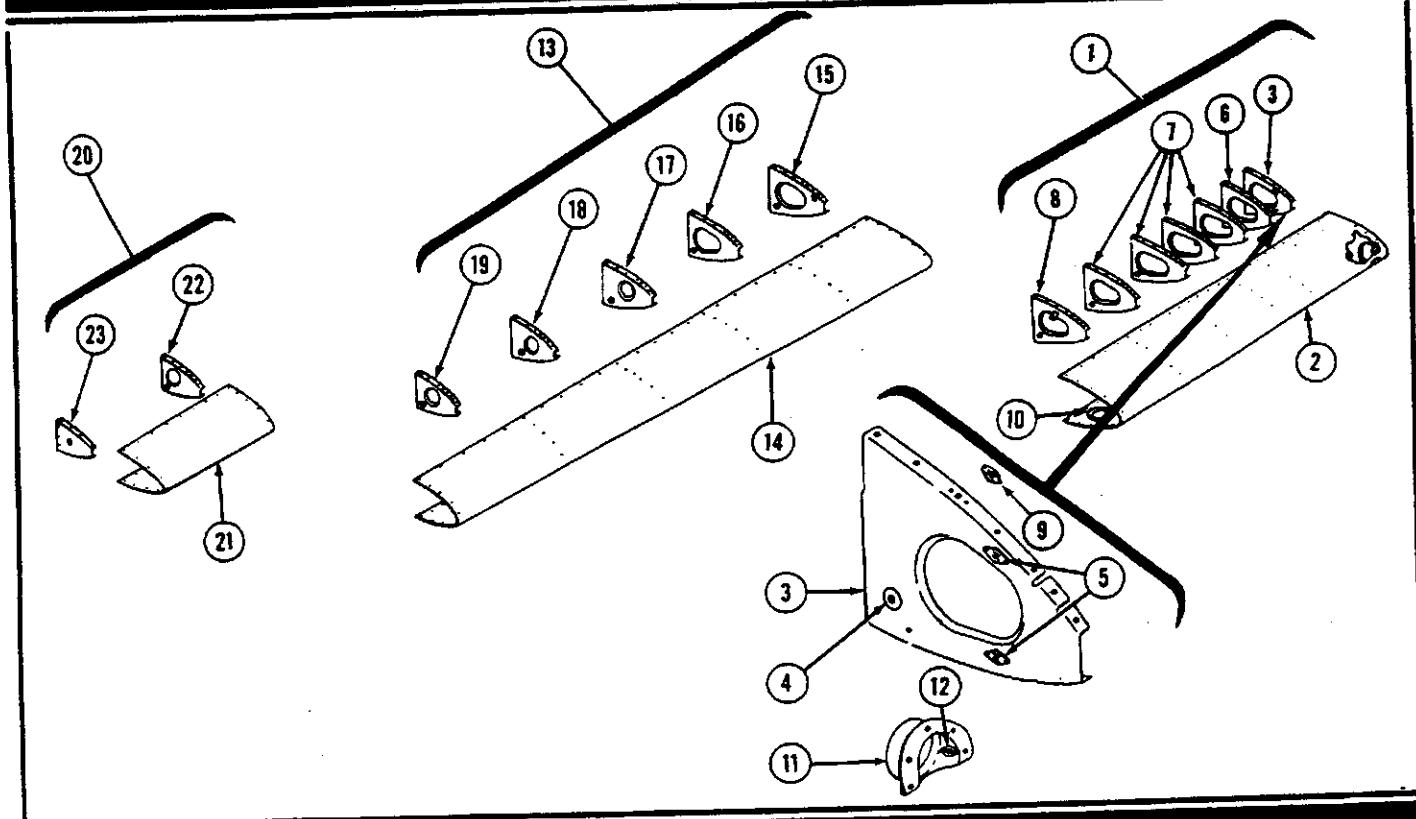


FIGURE 9. RIGHT WING LEADING EDGE ASSEMBLY

FIGURE AND INDEX NO.	PARTS NUMBER	DESCRIPTION	UNITS PER ASS'Y
9-	No Number	Leading Edge Assy - Right wing (0523005 Ref) (see figure 8 for NHA)	Ref
-1	0523005-55	Leading Edge Assy - Right inboard (Sta. 23.625 to 100)	1
-2	0523007-1	Skin - (Sta. 23.625 to 100)	1
-3	0523107-3	Rib Assy - Nose (Sta. 23.625)	1
-4	AN230-A2	Grommet	2
-5	NAS444-5	Nut Plate - (Tinnerman A6195-8Z-3)	1
-6	0523107	Rib Assy - Nose (Sta. 32.500)	1
	AN230-A2	Grommet	4
-7	0523108	Rib Assy - Nose (Sta. 40.375 to 771.375)	1
	AN230-A2	Grommet	1
-8	0523111-2	Rib Assy - Nose (Sta. 85.625)	1
	AN230-A2	Grommet	2
-9	NAS444-5	Nutplate - (Tinnerman A6195-8Z-3)	1
-10	0511000-20	Doubler - Inspection opening	3
	NAS395-14-3	Nut - (Tinnerman A1274-8Z-3) (attach doubler)	1
-11	0413157	Scoop - Cabin air ventilator	1
-12	NAS446-4	Nut Plate - (Tinnerman A1778-8Z-3)	1
-13	0523005-57	Leading Edge Assy - Right center (Sta. 100 to 190)	1
-14	0523003-11	Skin - (Sta. 100 to 190)	1
-15	0523110-2	Rib Assy - Nose (Sta. 110)	1
	AN230-A2	Grommet	1
-16	0523542-1	Rib Assy - Nose (Sta. 118)	1
	AN230-A2	Grommet	1
-17	0523512-5	Rib Assy - Nose (Sta. 136)	1
	AN230-A2	Grommet	1
-18	0523513-4	Rib Assy - Nose (Sta. 154)	1
	AN230-A2	Grommet	1
-19	0523514-4	Rib Assy - Nose (Sta. 172)	1
	AN230-A2	Grommet	1
-20	0523005-53	Leading Edge Assy - Right outboard (Sta. 190 to 208)	1
-21	0523003-57	Skin - (Sta. 190 to 208)	1
-22	0523515-4	Rib Assy - Nose (Sta. 190)	1
	AN230-A2	Grommet	1
-23	0523516-4	Rib Assy - Nose (Sta. 208)	1
	AN230-A2	Grommet	1

ORDER BY PART NUMBER AND NAME SERIAL NUMBER AND COLOR IF APPLICABLE

ILLUSTRATED PARTS CATALOG

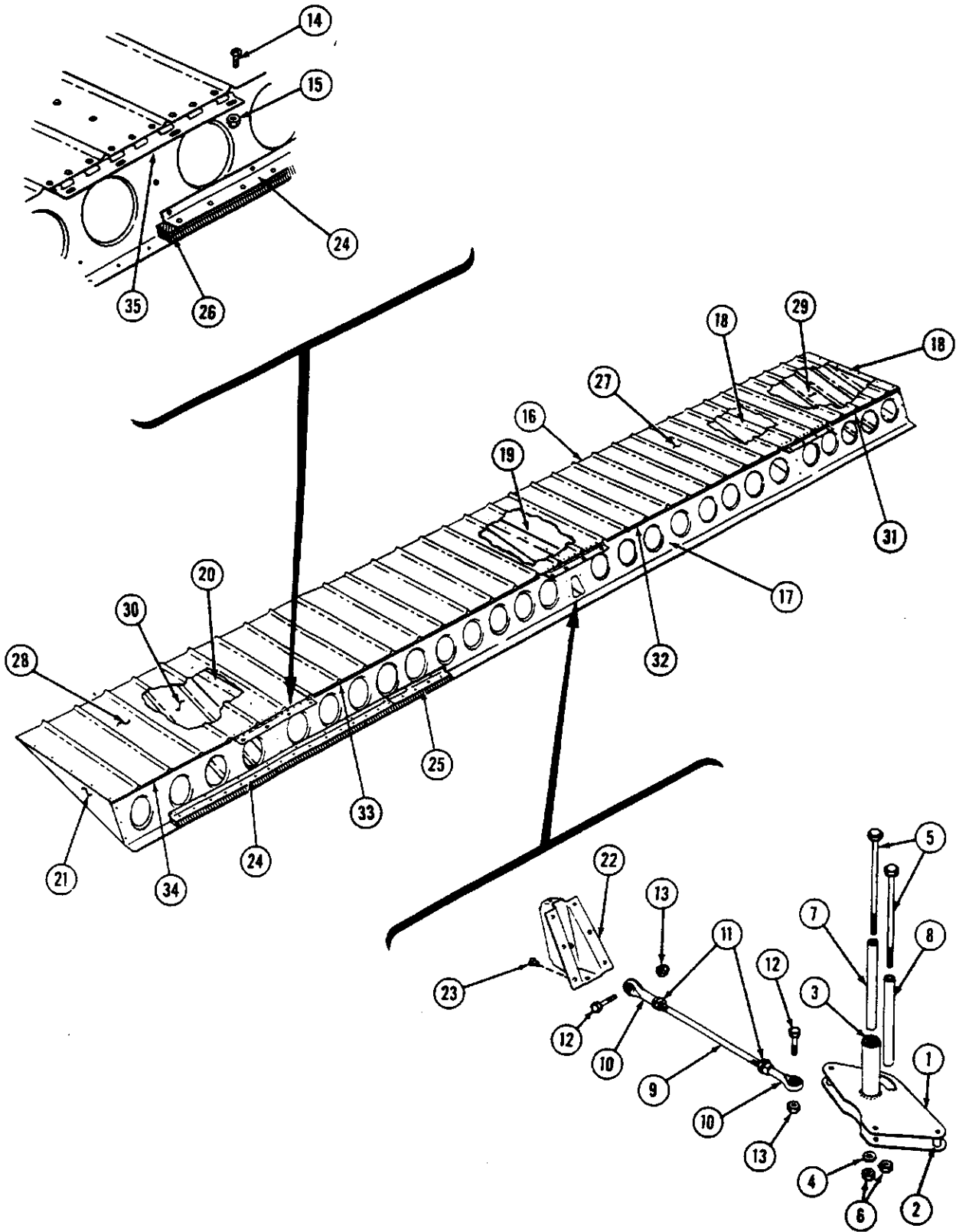


FIGURE 10. RIGHT AILERON INSTALLATION

ILLUSTRATED PARTS CATALOG

FIGURE AND INDEX NO.	PARTS NUMBER	DESCRIPTION	UNITS PER ASSY
10-	No Number	Aileron Installation - Right wing (see figure 7 for NHA) (0523800 Ref).	Ref
-1	0523223-1	Bellcrank Assembly - Aileron	1
-2	0422280	Bushing	2
-3	B610	Bearing - Torrington	2
-4	0522629	Washer	1
-5	AN4-42A	Bolt - (Attach bellcrank)	2
-6	AN365-428	Nut - (Attach bellcrank)	2
-7	0523221	Bushing - (Attach bellcrank)	1
-8	0523222	Bushing - Bellcrank stop	1
	0523218	Rod Assembly - Aileron push-pull	1
-9	0523218-2	Rod - Aileron push-pull	1
-10	F34-14	End - Rod	2
-11	AN316-4R	Nut - Check	2
-12	AN3-7A	Bolt - (Attach aileron push-pull rod)	2
-13	AN365-1032	Nut - (Attach aileron push-pull rod)	2
-14	NAS229-8	Screw - (Attach aileron hinge to wing)	12
-15	AN365-1032	Nut - (Attach aileron hinge to wing)	12
-16	0523800-1	Aileron Assembly - Right wing	1
-17	0523806-1	Spar - Right aileron	1
-18	0523808-2	Rib #1 - Aileron	2
-19	0523809-1	Rib #2 - Right aileron (not available for spares)	1
-20	0523810	Rib #3 - Aileron (not available for spares)	1
-21	0523811-1	Rib #4 - Aileron	1
-22	0523812	Bracket - Control	1
-23	NAS-445-163C-4-8	Rivet - (Attach bracket)	6
-24	0523814	Bracket - (Attach aileron weight)	1
-25	0523814-2	Bracket - (Attach aileron weight)	1
-26	0721109	Weight - Aileron balance	3
-27	0523800-7	Skin - Upper right inboard (not available for spares)	1
-28	0523800-9	Skin - Upper right outboard	1
-29	0523800-11	Skin - Lower right inboard (not available for spares)	1
-30	0523800-13	Skin - Lower right outboard	1
-31	0523813-1	Spacer	1
-32	0523813-8	Spacer	1
-33	0523813-6	Spacer	1
-34	0523813-7	Spacer	1
-35	0523807	Hinge Assembly - Aileron	3

ORDER BY PART NUMBER AND NAME SERIAL NUMBER AND COLOR IF APPLICABLE

ILLUSTRATED PARTS CATALOG

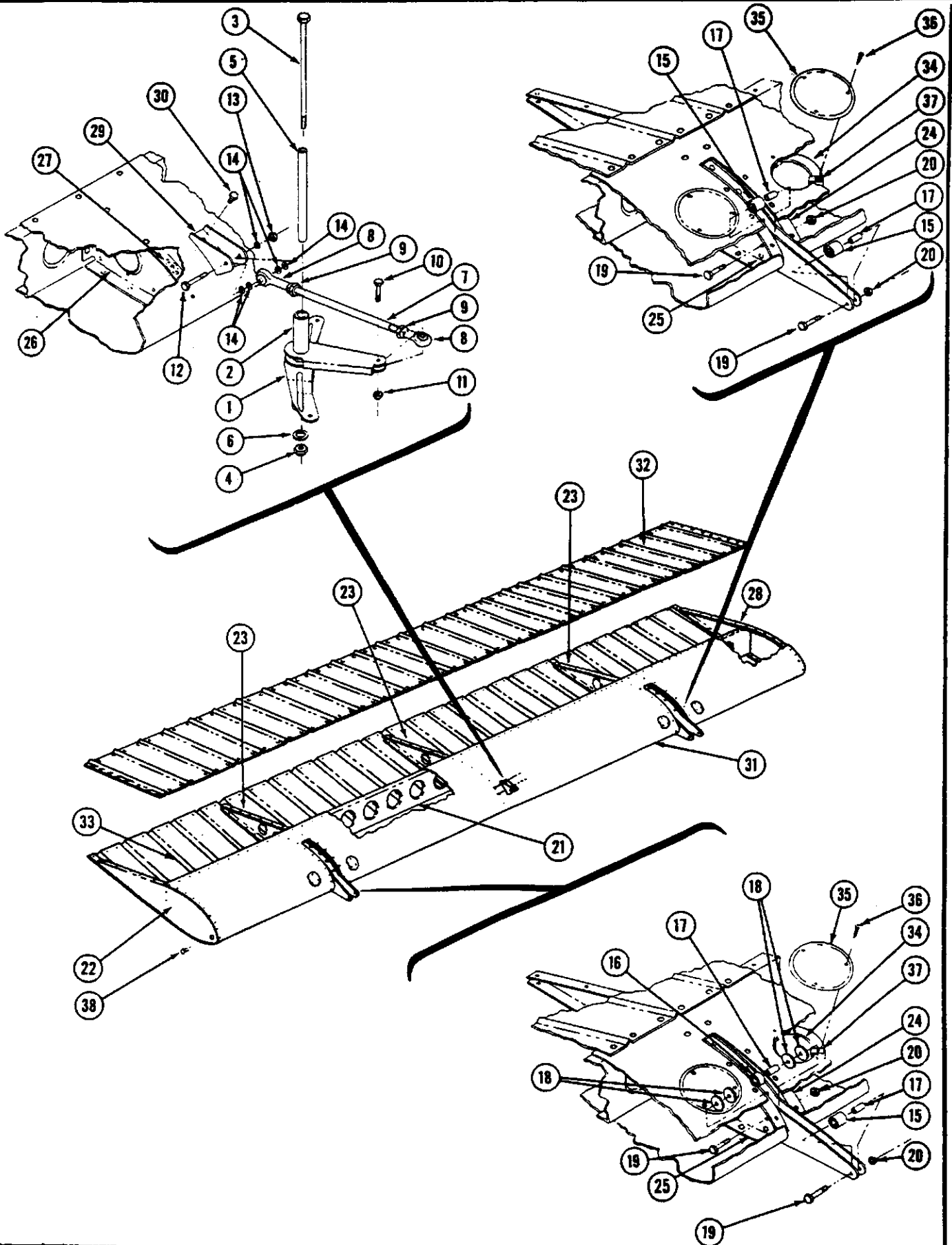


FIGURE 11. RIGHT FLAP INSTALLATION

ILLUSTRATED PARTS CATALOG

FIGURE AND INDEX NO.	PARTS NUMBER	DESCRIPTION	UNITS PER ASS'Y
11-	No Number	Flap Installation - Right wing (see figure 7 for NHA)	Ref
-1	0523535-1	Bellcrank Assembly - Right flap	1
-2	B610	Bearing - Torrington	2
-3	AN4-60A	Bolt - (Attach flap bellcrank)	1
-4	AN365-428	Nut - (Attach flap bellcrank)	1
-5	0523536	Bushing - Flap bellcrank	1
-6	0522629	Washer - Flap bellcrank	1
	0523537	Rod Assembly - Flap push-pull	1
-7	0523537-2	Rod - Flap push-pull	2
-8	F34-14	End - Rod	2
-9	AN316-4R	Nut - Check	1
-10	AN3-7A	Bolt - (Attach push-pull rod to bellcrank)	1
-11	AN365-1032	Nut - (Attach push-pull rod to bellcrank)	1
-12	AN3-12A	Bolt - (Attach push-pull rod to flap)	1
-13	AN365-1032	Nut - (Attach push-pull rod to flap)	5
-14	AN960-10	Washer	3
-15	0523921	Roller Assembly - Flap attachment	1
-16	0523920	Roller Assembly - Flap attachment	4
-17	0523919	Bushing - Flap attachment roller	4
-18	0523922	Spacer - Flap (outboard roller only)	4
-19	AN3-10A	Bolt - (Attach flap to wing)	4
-20	AN365-1032	Nut - (Attach flap to wing)	1
	0523901-1	Flap Assembly - Right wing	1
-21	0523911-1	Spar - Flap	1
-22	0523912	Rib - Flap right end	3
-23	0523923	Rib - Trailing edge	2
-24	0523901-9	Rib Assembly - Flap support arm right	2
-25	0523901-8	Rib Assembly - Flap support arm left	1
-26	0523914-2	Rib Assembly - Flap leading edge center	2
-27	AN366F1032	Nutplate	1
-28	0523912-1	Rib - Flap left end	1
-29	0523918	Bracket - Flap control	2
-30	AN3-4A	Bolt - (Attach bracket)	1
-31	0523901-3	Skin - Right flap leading edge	1
-32	0523901-5	Skin - Right flap upper	1
-33	0523901-7	Skin - Right flap lower	4
-34	0523916	Doubler - Access hole	4
-35	0523917	Cover - Access hole	12
-36	PK76XZ-8-8	Screw - (Tinnerman A6077-8Z-3) (attach cover)	12
-37	NAS395-13-3	Nut - (Attach cover)	2
-38	48172	Plug Button - (United Carr)	

ILLUSTRATED PARTS CATALOG

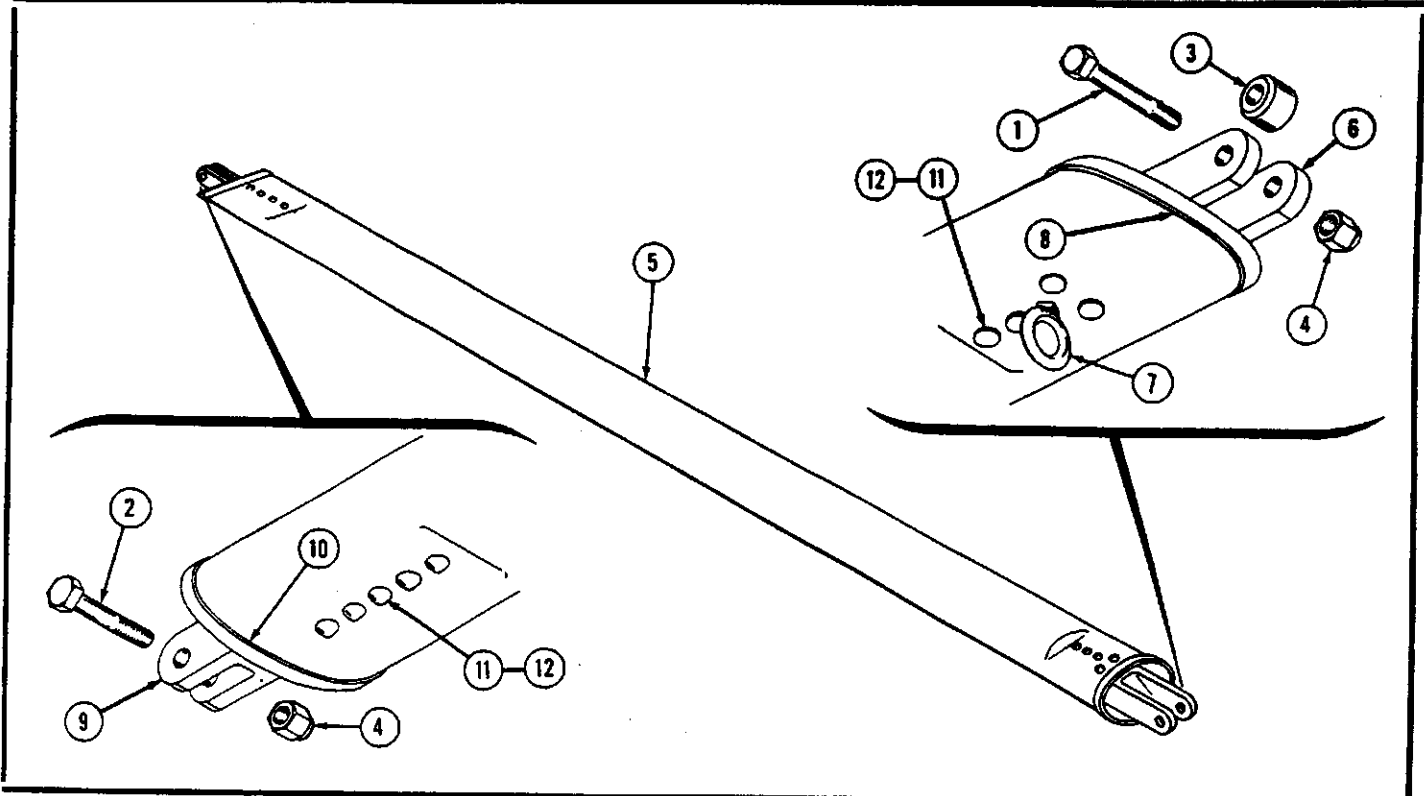


FIGURE 12. WING STRUT INSTALLATION

FIGURE AND INDEX NO.	PARTS NUMBER	DESCRIPTION	UNITS PER ASS'Y
12-	No Number	Strut Installation - Wing (see figure 1 for NHA) (0523606 Ref)	Ref
-1	AN8-24A	Bolt - (Attach strut to wing)	2
-2	AN8-17A	Bolt - (Attach strut to fuselage)	2
-3	0523307	Spacer - (Attach strut to wing)	2
-4	AN365-820	Nut	4
-5	0523606-10	Strut Assembly - Left wing	1
	0523606-11	Strut Assembly - Right wing	1
-6	0523607-2	Fitting - Wing strut upper end	1
-7	0523609	Ring - Mooring	1
	AN960-516	Washer - (Attach mooring ring)	1
	AN365-524	Nut - (Attach mooring ring)	1
-8	0523606-5	Seal - Upper	1
-9	0523608-2	Fitting - Wing strut lower end	1
-10	0523606-4	Seal - Lower	1
-11	NAS178-10-26	Rivet - Hi-shear (attach fittings)(AN5-20A bolt, alternate)(serial 20267 thru 26038)	9
-12	NAS179-10	Collar - (AN960-516 washer & AN365-524 nut, alternate)(serial 20267 thru 26038)	9
	AN426AD10	Rivet - Flush (serial 26039 & on)	9

BLANK PAGE

ILLUSTRATED PARTS CATALOG

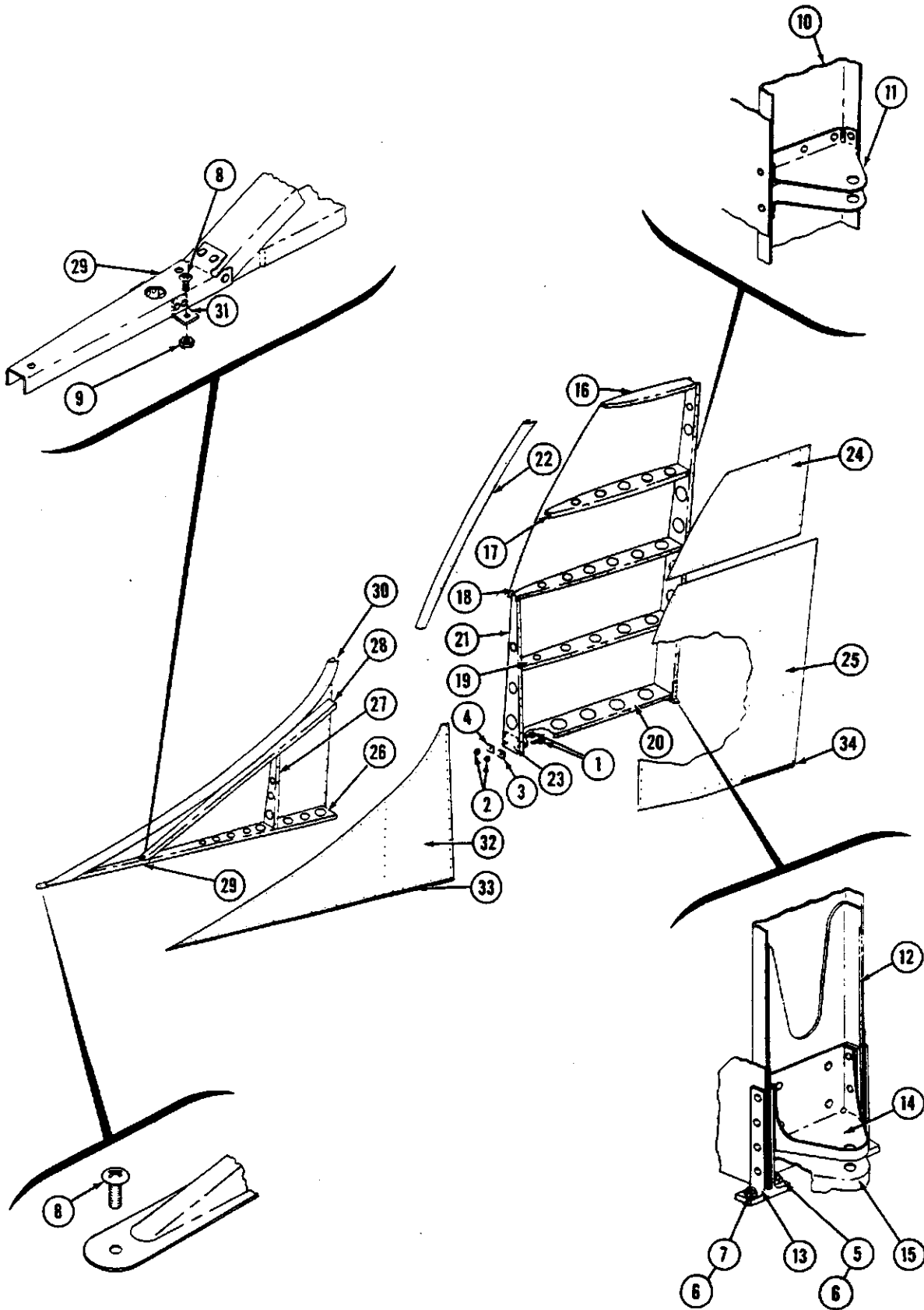


FIGURE 13. FIN AND DORSAL INSTALLATION

ILLUSTRATED PARTS CATALOG

FIGURE AND INDEX NO.	PARTS NUMBER	DESCRIPTION	UNITS PER ASS'Y
		■ ■ ■ ■ ■ ■	
		Fin & Dorsal Installation - (See figure 1 for NHA) (0530001 Ref)	Ref
13-	No Number		2
-1	AN4-5A	Bolt - (Attach fin at center)	2
-2	AN365-428	Nut - (Attach fin at center)	AR
-3	0430010-1	Shim - Empennage installation	AR
-4	0430010-2	Shim - Empennage installation	2
-5	NAS145-14	Bolt - (Attach fin at rear)	4
-6	AN365-524	Nut - (Attach fin at rear)	2
-7	NAS145-18	Bolt - (Attach fin at rear)	3
-8	AN526-1032R8	Screw - (Attach fin at front)	2
-9	AN365-1032	Nut - (Attach fin)	1
	0531113-50	Fin & Dorsal Assembly	1
	0331000-52	Fin Assembly	1
-10	0331114	Spar - Fin rear	2
-11	0331120	Bracket - Fin upper hinge	1
-12	0331115	Reinforcement - Rear spar lower	2
-13	0331124	Fitting - Rear spar lower	1
-14	0331119	Bracket - Lower hinge	1
-15	0331118	Bracket - Lower hinge	1
-16	0331106	Rib - Upper fin (#5)	1
-17	0331107	Rib - Fin (#4)	1
-18	0331108	Rib - Fin (#3)	1
-19	0331109	Rib - Fin (#2)	1
-20	0331110	Rib - Lower fin (#1)	1
-21	0331125	Spar - Fin front	1
-22	0331127	Leading Edge - Fin upper	1
-23	0331121	Reinforcement - Front spar lower	2
-24	0331000-4	Skin - Fin side upper	2
-25	0331000-6	Skin - Fin side lower	1
	0531112	Dorsal Assembly	1
-26	0531108	Rib - Fin lower	1
-27	0531109	Rib - Fin former	1
-28	0531110-1	Channel - Fin stiffener	1
-29	0531111	Rib - Dorsal fin lower forward	1
-30	0331129	Leading Edge - Fin	2
-31	0531112-4	Bracket - Dorsal fin mounting	2
-32	0531112-3	Skin - Dorsal fin side	1
-33	0411875-22	Moulding - (X200 rubber channel)	1
-34	0411875-11	Moulding - (X200 rubber channel)	2

ILLUSTRATED PARTS CATALOG

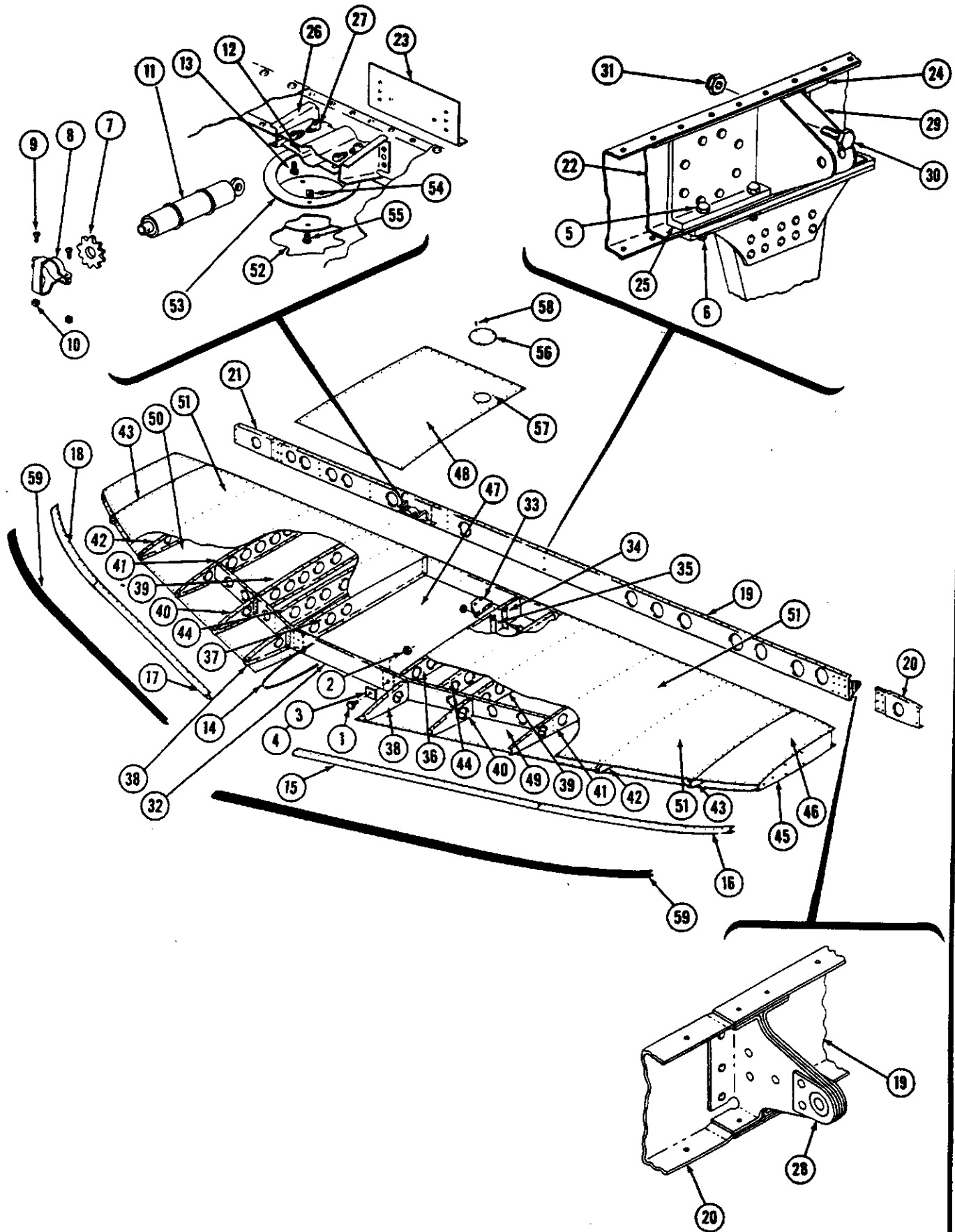


FIGURE 14. STABILIZER INSTALLATION

ILLUSTRATED PARTS CATALOG

FIGURE AND INDEX NO.	PARTS NUMBER	DESCRIPTION	UNITS PER ASS'Y
		Stabilizer Installation - Horizontal (see figure 1 for NHA) (0530001 Ref).	Ref
14-	No Number		2
-1	AN4-5A	Bolt - (Attach stabilizer front spar to bulkhead)	2
-2	AN365-428	Nut - (Attach stabilizer front spar to bulkhead)	AR
-3	0430010-1	Shim - Stabilizer attachment (0.20)	AR
-4	0430010-2	Shim - Stabilizer attachment (0.30)	4
-5	AN4-10A	Bolt - (Attach rear spar to fuselage)	4
-6	AN365-428	Nut - (Attach rear spar to fuselage)	1
	0532000	Stabilizer Assembly	1
	0310293-2	Actuator Assembly - Elevator tab	1
-7	0310332	Sprocket - Elevator tab chain	1
-8	0310422	Guard - Elevator tab control chain	2
-9	AN526-832R8	Screw - (Attach guard)	2
-10	AN365-832	Nut - (Attach guard)	1
-11	0310293-11	Actuator - Elevator tab	2
-12	0432126	Clamp - (Attach actuator)	4
-13	AN520-10R8	Screw - (Attach actuator clamp)	2
-14	0411875-4	Moulding - Rubber	1
	0532000-8	Stabilizer Assembly - Bare (less tab actuator)	1
	0532000-16	Leading Edge Assembly - Stabilizer left	1
-15	0332128-4	Leading Edge - Inboard left	1
-16	0332127-3	Leading Edge - Outboard left	1
	0532000-17	Leading Edge Assembly - Stabilizer right	1
-17	0332128-5	Leading Edge - Inboard right	1
-18	0332127-3	Leading Edge - Outboard right	1
-19	0532004	Spar Assembly - Stabilizer rear	1
-20	0532005-1	Spar - L. H. tip	1
-21	0532005-2	Spar - R. H. tip	1
-22	0332109	Reinforcement - Rear spar	1
-23	0332131	Reinforcement - Rear spar (right side only)	2
-24	0332110	Plate - Rear spar fin attachment	2
-25	0332111-3	Plate - Stabilizer rear spar attachment	1
-26	0332134	Bracket Assy - Tab actuator attachment	4
-27	22A3-02	Anchor Nut - Esna	2
-28	0534114-3	Hinge - Stabilizer spar outboard	1
-29	0534118	Hinge - Stabilizer spar inboard	2
-30	AN3-4A	Bolt - (Attach hinge)	2
-31	AN365-1032	Nut - (Attach hinge)	1
-32	0332114	Spar Assembly - Stabilizer front	1
-33	0332116	Bracket - Elevator tab pulley	1
-34	0332129	Angle - Stabilizer #1 rib stiffener left	1
	AN3-4A	Bolt - (Attach bracket & angle)	1
	AN365-1032	Nut - (Attach bracket & angle)	1
-35	0332129-1	Angle - Stabilizer #1 rib stiffener right	1
-36	0332118	Rib - Stabilizer center L. H. #1	1
-37	0332118-1	Rib - Stabilizer center R. H. #1	2
-38	0332119	Rib - Stabilizer nose #1	2
-39	0332120	Rib - Stabilizer center #2	2
-40	0332121	Rib - Stabilizer nose #2	2
-41	0332122	Rib - Stabilizer #3	2
-42	0332123	Rib - Stabilizer #4	2
-43	0332124	Rib - Stabilizer #5	2
-44	0332105	Rib - Stabilizer - Center	2
-45	0532007	Rib - Stabilizer tip	4
-46	0532000-3	Skin - Stabilizer tip (top & bottom)	1
-47	0532000-4	Skin - Stabilizer bottom center	1
-48	0532000-5	Skin - Stabilizer upper center	1
-49	0532000-9	Skin - Stabilizer lower left	1
-50	0532000-11	Skin - Stabilizer lower right	2
-51	0532000-12	Skin - Stabilizer upper	1
-52	0432123	Plate - Tab actuator cover	1
-53	0432155	Retainer - Tab actuator cover	4
-54	NAS395-14-3	Nut - (Attach actuator cover)(Tinnerman A1274-8Z-3)	4
-55	PK76XZ-8-8	Screw - (Attach actuator cover)	1
-56	0311516	Plate - (Inspection opening)	4
-57	NAS444-5	Nut - (Attach plate)	2
-58	PK76XZ-8-8	Screw - (Attach plate)	2
-59	0332136-4	Boot - Abrasion (optional equipment)	2

ILLUSTRATED PARTS CATALOG

FIGURE AND INDEX NO.	PARTS NUMBER	DESCRIPTION	UNITS PER ASSY
15-	No Number	Rudder Installation -(See figure 1 for NHA)(0530001 Ref)	Ref
-1	AN4-11A	Bolt - (Attach rudder to fin)	2
-2	AN365-428	Nut - (Attach rudder to fin)	2
-3	0533000-3	Rudder Assembly	1
	0533000-10	Tip Assembly - Rudder	1
-4	0333000-3	Skin - Rudder tip left	1
-5	0333000-6	Skin - Rudder tip right	1
-6	0333127	Leading Edge - Rudder tip	1
-7	0333117-1	Weight - Rudder balance	1
-8	0333113	Rib - Rudder tip	10
-9	CR163C-4-8	Rivet - Cherry (install tip leading edge)	1
-10	0333114	Stiffener - Rudder tip	1
	0533000-30	Bellcrank Assembly	1
-11	0533000-13	Channel - Bellcrank support	1
-12	0533000-12	Rib Assembly - Lower	1
	0533000-6	Rib - Rudder - Lower aft	1
	0533300-8	Rib - Rudder - Lower forward	1
-13	0433113	Bellcrank - Rudder	2
-14	0433132	Tab - Tailwheel steering	1
-15	0333115	Spar - Rudder rear	1
-16	0333132	Spar - Rudder front	1
-17	0333128	Channel - Rudder upper hinge bearing	1
-18	0533131	Rib - Rudder intermediate	2
-19	0333119	Hinge - Rudder	2
-20	SIK-5	Bearing - Fafnir	4
-21	AN3-5A	Bolt - (Attach hinge)	2
-22	AN366F1032	Nutplate - (Attach upper hinge)	2
-23	AN365-1032	Nut - (Attach lower hinge)	1
-24	0433006	Light - Tail	1
-25	0433006-2	Lens - Tail light clear	1
-26	0433006-3	Lamp - Single contact base	1
-27	0433007	Mount - Tail light	2
-28	AN615-4R6	Screw - (Attach mount)	1
-29	0433121	Support - Tail light mount	1
-30	0500005-41	Wire Assembly - Tail light	1
	0533000-35	Skin Assembly	1
-31	0533000-20	Skin - Rudder left	1
-32	0533000-21	Skin - Rudder right	1
-33	0333116	Tab - Rudder	1
-34	0533000-14	Skin - Rudder lower left	1
-35	0533000-15	Skin - Rudder lower right	1
-36	AN931-3-5	Grommet	1

ILLUSTRATED PARTS CATALOG

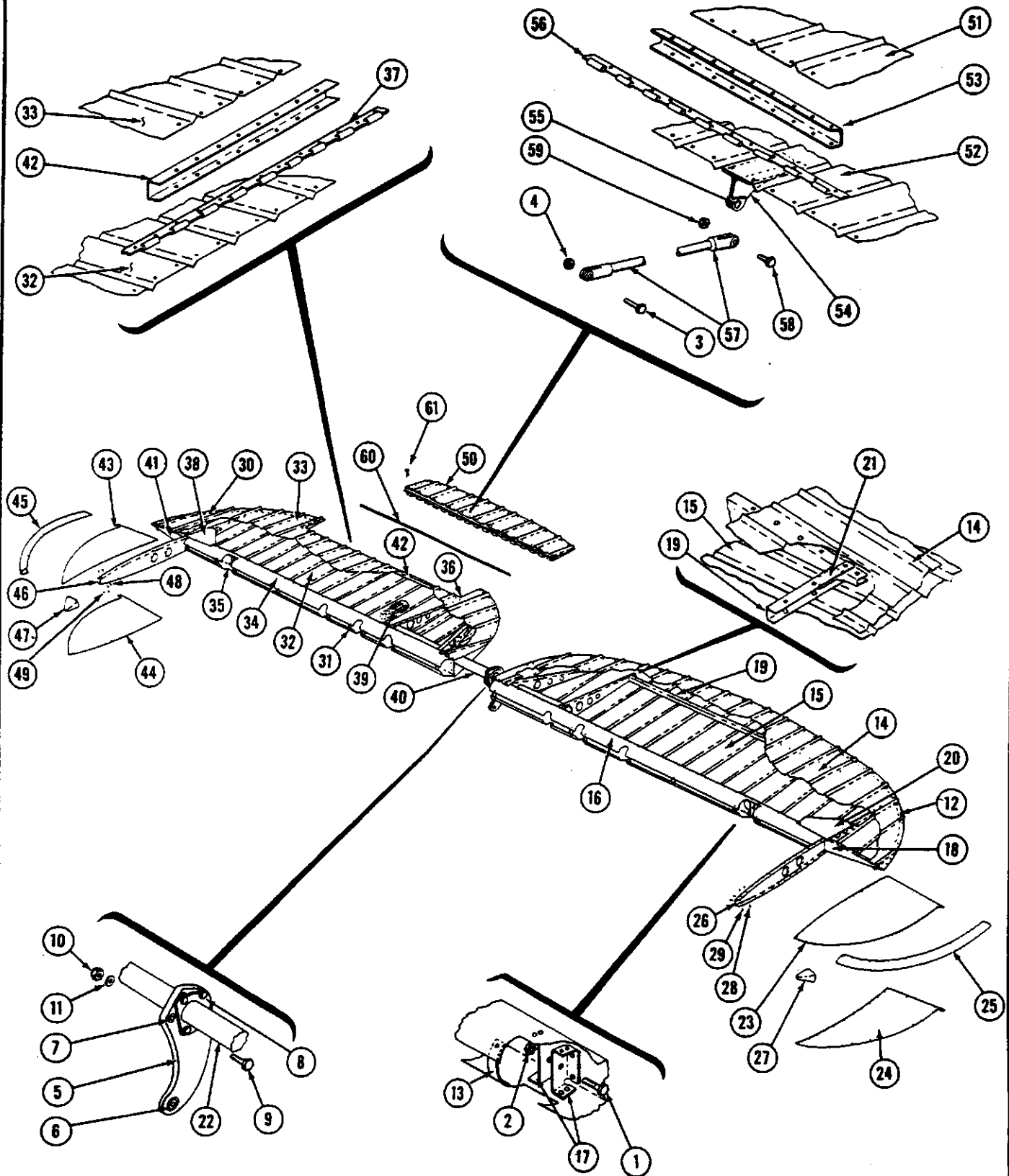


FIGURE 16. ELEVATOR INSTALLATION

ILLUSTRATED PARTS CATALOG

SERIAL 20267 thru 26038

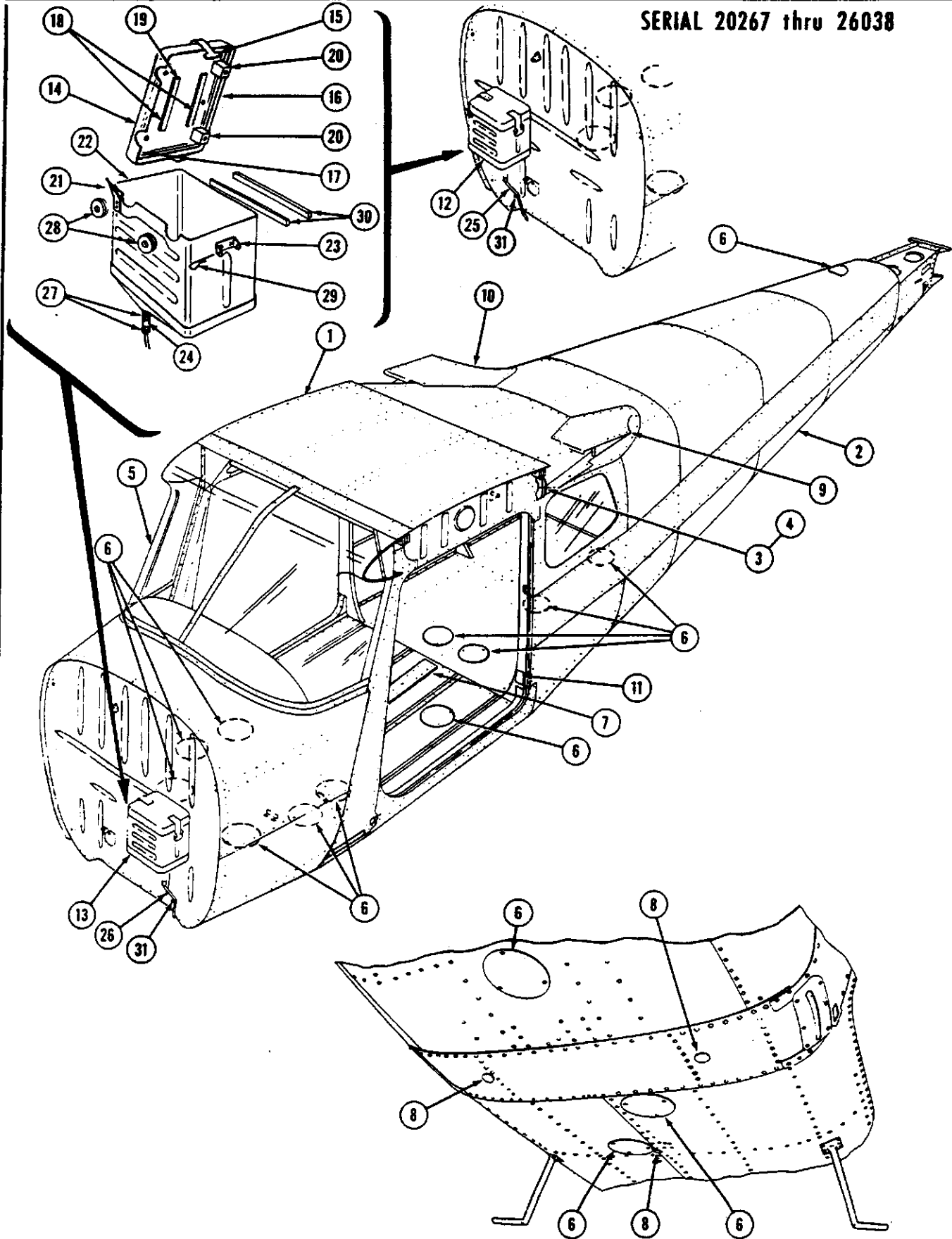


FIGURE 17. FUSELAGE ASSEMBLY

ILLUSTRATED PARTS CATALOG

FIGURE AND INDEX NO.	PARTS NUMBER	DESCRIPTION	UNITS PER ASS'Y
17-	0510000-53	Fuselage Assembly - (Serial 20267 thru 25372) (bare with windshield, rear windows and electrical wiring) (see figure 1 for NHA)	Ref
	0591000-1	Fuselage Assembly - (Serial 25373 thru 26995) (see figure 1 for NHA)	Ref
	0591000-4	Fuselage Assembly - (Serial 26996 & on)	Ref
-1	0511000-54	Front & Center Section - Fuselage (serial 20267 thru 25372) (see figure 18 for bkdn)	1
	0591100-1	Front & Center Section - Fuselage (serial 25373 & on) (see figure 18 for breakdown)	1
-2	0591200-1	Aft Section - Fuselage (see figure 23 for breakdown) (serial 20267 thru 26995)	1
	0591200-6	Aft Section Assembly - (Serial 26996 & on) (see figure 23 for breakdown)	1
-3	0512146	Plate - LH	1
	0512146-1	Plate - RH	1
-4	0512149-1	Bracket - Flap pulley left	1
	0512149-2	Bracket - Flap pulley right	1
-5	No Number	Windshield Installation - (See figure 22 for breakdown)	13
-6	0311516	Plate - Inspection opening cover	41
	49390	Stud - Tri-mount (United Carr)	1
-7	0311516-4	Plate - Inspection opening cover	18
	PK76XZ-8-8	Screw - (Attach cover plates)	3
-8	NAS451-51	Plug Button - (United Carr #48143)	1
-9	0512153-1	Wing Fillet Assembly - Left (serial 20267 thru 26038)	1
	0512153-7	Wing Fillet Assembly - Left (serial 26039 & on)	1
-10	0512153-2	Wing Fillet Assembly - Right (serial 20267 thru 26038)	1
	0512153-8	Wing Fillet Assembly - Right (serial 26039 & on)	1
-11	0413261	Name Plate - M.A.A.	1
-12	0513011	Box Assembly - Battery (serial 20267 thru 26038)	1
-13	0513011-8	Box Assembly - Battery (serial 26039 & on)	1
-14	0413307-21	Lid Assembly - Battery box	2
-15	0413307-17	Fastener	1
-16	0413307-4	Seal - Battery box rear	1
-17	0413307-8	Seal - Battery box forward	2
-18	0413307-5	Spacer - Battery box	2
-19	0413307-6	Insulator - Battery box	2
-20	0413307-7	Insulator - Battery box	4
	AN545-8R6	Screw - (Attach insulator to lid)	1
-21	0513018	Support - Control (serial 20267 thru 26038)	1
-22	0513011-3	Box Assembly - Battery (less lid)	2
-23	0413307-13	Catch - Battery box	1
-24	AN884-6-9	Tube - Battery box drain (rubber)	1
-25	0513011-2	Tube - Battery box drain lower (serial 20267 thru 26038)	1
-26	0500106-151	Tube - Battery box drain lower (serial 26039 & on)	2
-27	NAS397-12	Clamp - (Tinnerman A3122-12-59)	2
-28	AN931-11-16	Grommet	2
-29	AN415-2	Pin - Lock	2
-30	0513011-4	Spacer - Battery box	1
-31	NAS742D8	Clamp - (Tinnerman A2980A-6)	1
	PK76XZ-8-6	Screw - (Attach clamp)	1
	NAS444-6	Nut - (Tinnerman A1778-8Z-3) (attach clamp)	1

ILLUSTRATED PARTS CATALOG

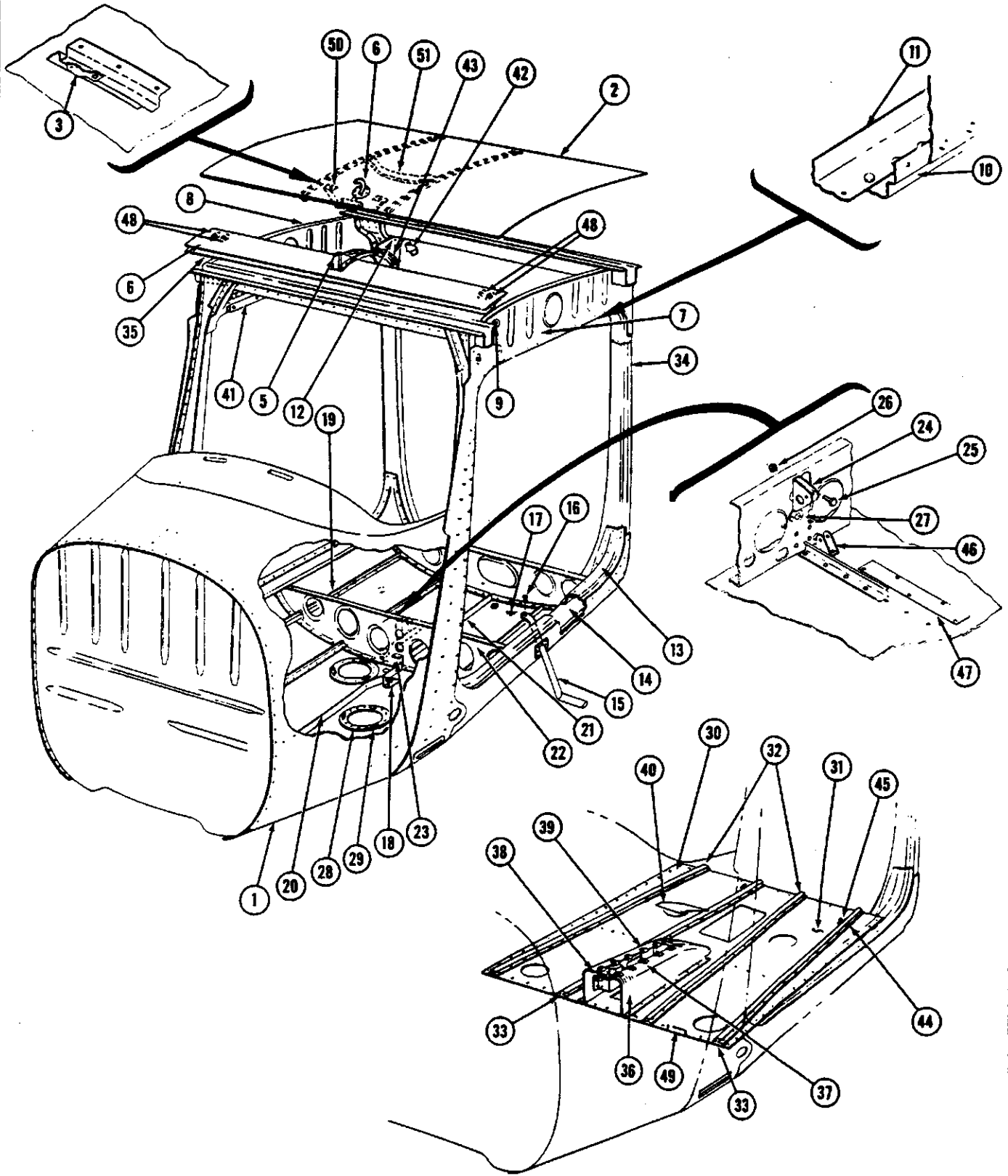


FIGURE 18. FUSELAGE FRONT-AND-CENTER SECTION ASSEMBLY

ILLUSTRATED PARTS CATALOG

FIGURE AND INDEX NO.	PARTS NUMBER	DESCRIPTION	UNITS PER ASSY
18-	0511000-54	Front & Center Section Assembly - Fuselage (serial 20267 thru 25372)(see fig. 17 for NHA)	Ref
	0591100-1	Front & Center Section Assembly - Fuselage (serial 25373 & on) (see figure 17 for NHA)	Ref
-1	0513000-55	Front Section Assembly - Fuselage (serial 20267 thru 25372)(see figure 19 for breakdown)	1
	0591300-5	Front Section Assembly - Fuselage (serial 25373 & on) (see figure 20 for breakdown)	1
-2	0511114-4	Top Assembly - Cabin (serial 20267 thru 20435)	1
	0511114-6	Top Assembly - Cabin (serial 20436 & on)	1
-3	0411680	Hanger - Interior trim	1
-4	0511118	Vent Assembly - Fuel tank	1
-5	0411670	Bracket - Antenna mast (serial 20267 thru 26996)	1
-6	0511000-24	Cap - Fuselage front spar	1
-7	0511000-39	Rib - Fuselage forward section left	1
-8	0511000-40	Rib - Fuselage forward section right	2
-9	AN931-3-5	Grommet	1
-10	0511000-6	Frame - Door upper outboard left	1
	0511000-7	Frame - Door upper outboard right	1
-11	0511000-22	Frame - Door upper inboard left	1
	0511000-23	Frame - Door upper inboard right	1
-12	0511000-9	Gusset - Upper rear door jamb right	1
	0511000-8	Gusset - Upper rear door jamb left	1
-13	0511116	Sill Assembly - Door lower left	1
	0511116-1	Sill Assembly - Door lower right	1
-14	0511000-36	Support - Left door lower sill	1
	0511000-37	Support - Right door lower sill	1
-15	Deleted		
	Deleted		
	0711006-1	Step Assembly - Left	1
	0711006-2	Step Assembly - Right	2
-16	AN525-416R9	Screw - (Attach step)	2
	AN365-428	Nut - (Attach step)	1
-17	0511000-34	Skin - Fuselage center section lower (sta. 27. 812 to 65. 33)	1
-18	0311752-16	Bracket - Tab pulley	4
-19	0511000-11	Stringer - Fuselage center section	1
-20	0511000-35	Stringer - Fuselage center section	1
-21	0511000-38	Stringer - Fuselage center section	1
-22	0511109-7	Bulkhead Assembly - Fuselage (sta. 44. 00)(when exhausted use 0511290-1)	1
	0511290-1	Bulkhead Assembly - Fuselage (sta. 44. 00)(serial 26996 & on)	1
-23	0511192	Bracket - Fuel selector valve	1
-24	0411447	Pulley Bracket - Elevator	1
-25	AN520-10R7	Screw - (Attach pulley bracket)	1
-26	AN365-1032	Nut - (Attach pulley bracket)	1
-27	0412006	Fairlead - Control elevator	2
-28	0511000-20	Doubler - Inspection opening (used with 0511000-31 & -32 skins)	2
	0710100	Doubler - Inspection opening (used with 0511000-34 skin)	6
-29	NAS395-14-3	Nut - (Tinnerman #A1786-8Z-3) (attach doubler)	1
-30	0511000-56	Floorboard Assembly - Fuselage center section	1
-31	0511000-41	Sheet - Floorboard	2
-32	0511000-14	Rail - Front seat left inboard and right outboard	2
-33	0511000-15	Rail - Front seat left outboard and right inboard	1
-34	0791100-5	Bulkhead Assembly - Fuselage aft section (sta. 65. 33)(see fig. 24 for breakdown)	1
-35	0511000-25	Retainer - Windshield top (see figure 22 for breakdown)	1
-36	0510114-50	Bulkhead Assembly - Fuselage tunnel aft left	5
-37	NAS395-12-3	Nut - (Tinnerman #A1786-8Z-3)	1
-38	0510114-51	Bulkhead Assembly - Fuselage tunnel aft right	5
-39	NAS395-12-3	Nut - (Tinnerman #A1786-8Z-3)	1
-40	0510129-3	Plate - Fuselage tunnel rear	2
-41	0511153	Retainer Assembly - Headliner	1
-42	0511150-1	Bracket - Upholstery fairing attachment right	1
	0511150	Bracket - Upholstery fairing attachment left	1
-43	0511151-1	Retainer - Headliner right	1
	0511151	Retainer - Headliner left	4
-44	0511301-67	Bushing - Seat stop	2
-45	AN380-4-3	Pin - Cotter	1
-46	0510174	Bracket - Flap pulley	1
-47	0511000-60	Strip - Rub	4
-48	NAS444-4	Nutplate - (Tinnerman #A6191-8Z-3)	1
-49	0511142-2	Angle - Control lock	1
-50	0710102	Bracket - Instrument light (serial 26996 & on)	1
-51	0710102	Bracket - (Serial 26996 & on)	1
	0511296	Angle - (Serial 26996 & on)	2

ILLUSTRATED PARTS CATALOG

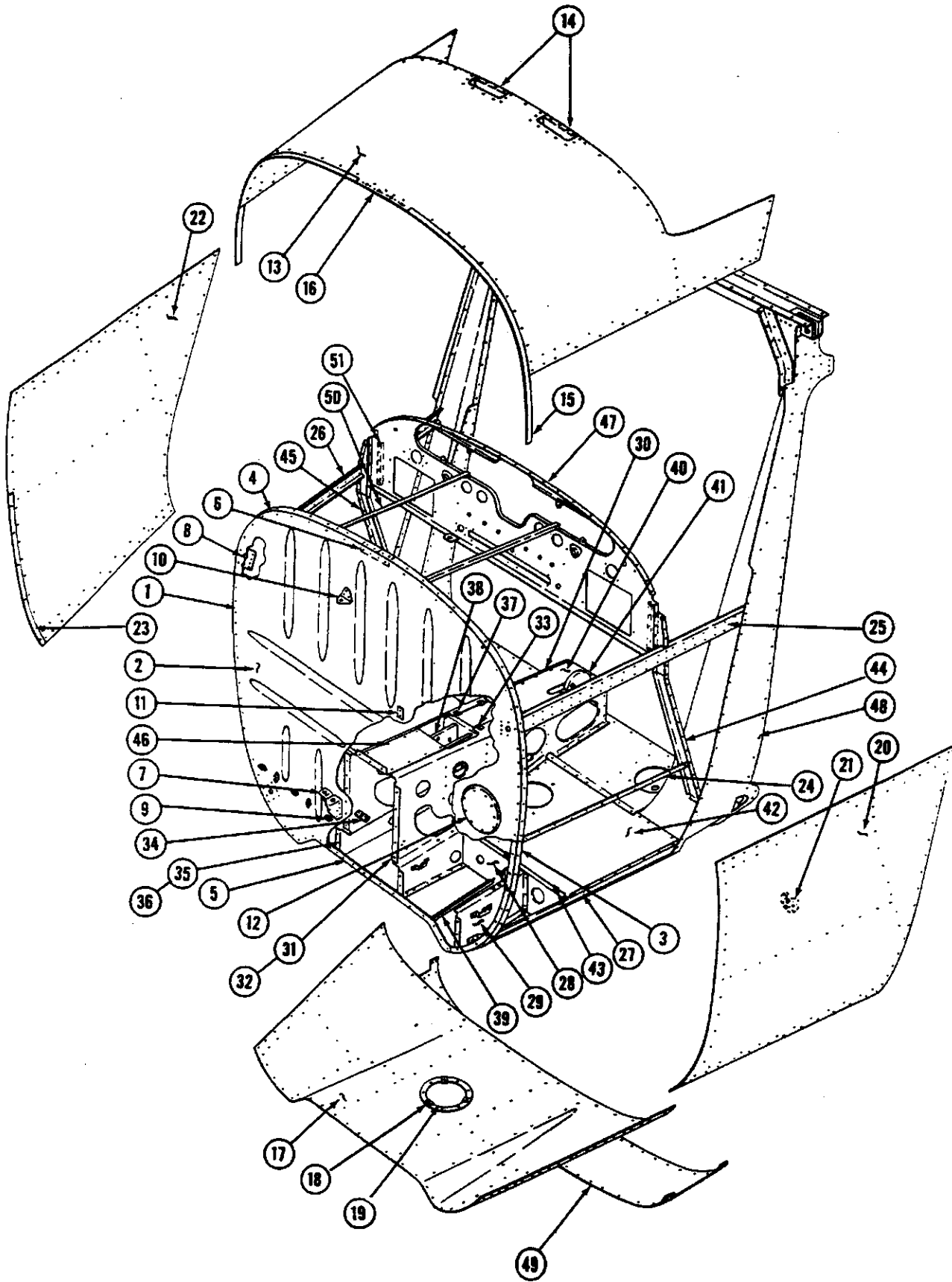


FIGURE 19. FUSELAGE FRONT SECTION ASSEMBLY (SERIALS 20267 THRU 25372)

ILLUSTRATED PARTS CATALOG

FIGURE AND INDEX NO.	PARTS NUMBER	DESCRIPTION	UNITS PER ASSY
		Structure Assembly - Fuselage front section (serial 20267 thru 25372)(see fig. 18 for NHA)	Ref
19-	0513000-55	Firewall Assembly	1
-1	0513228-21	Sheet - Firewall	1
-2	0513101-3	Angle - Left	1
-3	0513102	Angle - Right	1
-4	0513102-1	Angle - Bottom	1
-5	0513103	Angle - Top	1
-6	0513106	Bracket - Fuel strainer	4
-7	0450111	Plate - Firewall	10
-8	0453110	Nut - (Tinnerman #A6195-8Z-3)	1
-9	NAS444-5-3	Bracket Assembly - Starter control	2
-10	0450284	Doubler	1
-11	0513100	Cover - Cabin heater aperture	16
-12	0453112	Screw - (Attach cover)	16
	PK76XZ-6-8	Nut - (Tinnerman #A1777-6Z-3) (attach cover)	1
	NAS446-3	Skin - Fuselage front section upper	2
-13	0513000-19	Handle - Assist	2
-14	0413106	Rub Strip - Fuselage skin	4
-15	0513000-3	Nut - (Tinnerman #A6195-8Z-3) (attach cowl)	1
-16	NAS444-5-3	Skin - Fuselage front section lower	3
-17	0513000-13	Nut - (Tinnerman #A1274-8Z-3)	1
-18	NAS395-14-3	Doubler - Access opening	1
-19	0511000-20	Skin - Fuselage front section left	1
-20	0513000-14	Flange - Pitot static line	1
-21	0413137	Elbow	1
	AN823-4D	Skin - Fuselage front section right	2
-22	0513000-15	Nutstrip	2
-23	0513000-20	Angle	1
-24	0513000-57	Stringer Assembly - Engine mount upper left	1
-25	0511282	Deleted	1
	0411281-6	Bracket - Engine mount attachment	1
-26	0511282-1	Stringer Assembly - Engine mount upper right	1
	Deleted	Deleted	1
	0411281-6	Bracket - Engine mount attachment	1
-27	0511283	Stringer Assembly - Engine mount lower left	1
	Deleted	Deleted	1
	0411281-6	Bracket - Engine mount attachment	1
	0511283-1	Stringer Assembly - Engine mount lower right	1
	Deleted	Deleted	1
	0411281-6	Bracket - Engine mount attachment	1
-28	0513009-2	Bulkhead - Fuselage left (Sta. 8.125)	1
	0513009-3	Bulkhead - Fuselage right (Sta. 8.125)	1
-29	0510124	Bulkhead - Rudder pedal left outboard	1
	0510124-1	Bulkhead - Rudder pedal right outboard	1
-30	0513000-52	Tunnel Assembly - Fuselage front section	1
-31	0510114-20	Bulkhead Assembly - Front section tunnel left	1
-32	0510113-3	Bulkhead - Tunnel forward left	2
-33	NAS395-12-3	Nut - (Tinnerman #A1786-8Z-3)	1
-34	0510128	Bracket - Rudder pedal spring	1
-35	0510114-21	Bulkhead Assembly - Front section tunnel right	1
-36	0510113-4	Bulkhead - Tunnel forward	2
-37	NAS395-12-3	Nut - (Tinnerman #A1786-8Z-3)	1
	0510128	Bracket - Rudder pedal spring	1
-38	0510135	Support Assembly - Control tee	1
-39	0513000-10	Angle - Bulkhead reinforcement left	1
	0513000-9	Angle - Bulkhead reinforcement right	1
	0510138	Cover Assembly - Fuselage tunnel aft	1
-40	0510138-2	Cover - Fuselage tunnel aft	1
-41	0510138-3	Cover Assembly - Tab control left	1
	M-451	Bearing - Torrington	1
-42	0513000-24	Floorboard Assembly-Fuselage front section left (see figure 20 for breakdown)	1
	0513000-7	Floorboard - Fuselage front section right	6
-43	NAS395-14-3	Nut - (Tinnerman #A1274-8Z-3)	1
-44	0513008	Bulkhead - Instrument panel support left	1
-45	0513008-1	Bulkhead - Instrument panel support right	1
-46	0510139	Cover - Fuselage tunnel forward	1
-47	0513111	Panel Assembly - Stationary instrument (see figure 38 for breakdown)	1
-48	0591300-6	Bulkhead Assembly - Landing gear (see figure 21 for breakdown)	1
-49	0511000-1E	Skin - Landing gear bulkhead lower	2
	0513000-6	Brace - Stationary instrument panel	2
	0511148	Angle - Upholstery retaining	4
	PK86XA-4-0	Screw - (Attach upholstery angle)	

ILLUSTRATED PARTS CATALOG

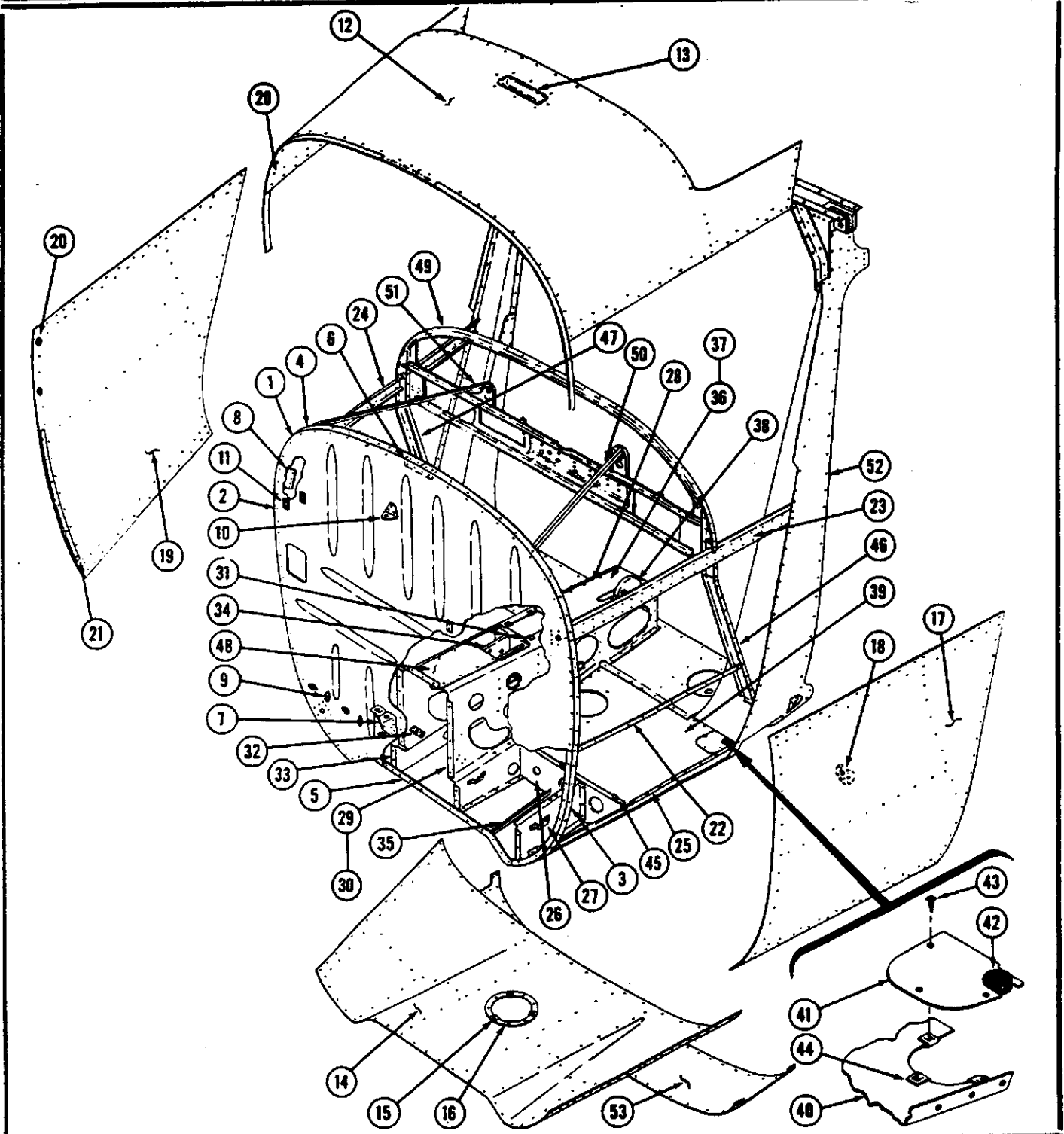


FIGURE 20. FUSELAGE FRONT SECTION ASSEMBLY (SERIALS 25373 AND ON)

FIGURE AND INDEX NO.	PARTS NUMBER	DESCRIPTION	UNITS PER ASSY
20-	0591300-5	Structure Assembly - Fuselage front section (serial 25373 & on)(see figure 18 for NHA)	Ref
-1	0513228-22	Firewall Assembly	1
-2	0513101-4	Sheet - Firewall	1
-3	0513102	Angle - Left	1
-4	0513102-1	Angle - Right	1

ORDER BY PART NUMBER AND NAME

SERIAL NUMBER AND COLOR IF APPLICABLE

ILLUSTRATED PARTS CATALOG

FIGURE AND INDEX NO.	PARTS NUMBER	DESCRIPTION	UNITS PER ASSY
20-5	0513103	Angle - Bottom	1
-6	0513106	Angle - Top	1
-7	0450111	Bracket - Fuel strainer	4
-8	0453110	Plate - Firewall	10
-9	NAS444-5-3	Nut - (Tinnerman #A6195-8Z-3)	1
-10	0450284	Bracket Assembly - Starter control	4
-11	0513100	Doubler - Control cable	1
-12	0513000-22	Skin - Fuselage front section upper	1
-13	0413106	Handle - Assist	1
-14	0513000-13	Skin - Fuselage front section lower	3
-15	NAS395-14-3	Nut - (Tinnerman #A1274-8Z-3)	1
-16	0511000-20	Doubler	1
-17	0513000-14	Skin - Fuselage front section left	1
-18	0413137	Flange - Pitot static line	1
	AN822-4D	Elbow	1
-19	0513000-15	Skin - Fuselage front section right	16
-20	NAS444-5	Nutplate - (Tinnerman #A6195-8Z)	2
-21	0513000-20	Nutstrip	2
-22	0513000-57	Angle	1
-23	0511282	Stringer Assembly - Engine mount upper left	1
	Deleted		
	0411281-6	Bracket - Engine mount attachment	1
-24	0511282-1	Stringer Assembly - Engine mount upper right	1
	Deleted		
	0411281-6	Bracket - Engine mount attachment	1
-25	0511283	Stringer Assembly - Engine mount lower left	1
	Deleted		
	0411281-6	Bracket - Engine mount attachment	1
	0511283-1	Stringer Assembly - Engine mount lower right	1
	Deleted		
	0411281-6	Bracket - Engine mount attachment	1
-26	0513009-2	Bulkhead - Fuselage left (Sta. 8.125)	1
	0513009-3	Bulkhead - Fuselage right (Sta. 8.125)	1
-27	0510124	Bulkhead - Rudder pedal left outboard	1
	0510124-1	Bulkhead - Rudder pedal right outboard	1
-28	0513000-52	Tunnel Assembly - Fuselage front section	1
-29	0510114-20	Bulkhead Assembly - Front	1
-30	0510113-3	Bulkhead - Tunnel forward left	4
-31	NAS395-12-3	Nut - (Tinnerman #A1786-8Z-3)	1
-32	0510128	Bracket - Rudder pedal spring	1
-33	0510114-21	Bulkhead Assembly - Front section tunnel right	1
	0510113-4	Bulkhead - Tunnel forward right	4
	NAS395-12-3	Nut - (Tinnerman #A1786-8Z-3)	1
	0510128	Bracket - Rudder pedal spring	1
-34	0510135	Support Assembly - Control tee	1
-35	0513000-10	Angle - Bulkhead reinforcement left	1
	0513000-9	Angle - Bulkhead reinforcement right	1
-36	0510138	Cover Assembly - Fuselage tunnel aft	1
-37	0510138-2	Cover - Fuselage tunnel	1
-38	0510138-3	Cover Assembly - Tab control left	1
	M-451	Bearing - Torrington	1
-39	0513000-24	Floorboard Assembly - Fuselage front section left	1
-40	0513000-8	Floorboard - Fuselage front	1
-41	0713002-3	Cover	1
-42	AN931-8-13	Grommet	3
-43	PK76XZ-6-4	Screw - (Attach cover)	3
-44	NAS395-3-3	Nut - (Attach cover) (Tinnerman #A6052-6Z-3)	1
	0513000-7	Floorboard - Fuselage front section right	6
-45	NAS395-14-13	Nut - (Tinnerman #A1274-8Z-3)	1
-46	0513008	Bulkhead - Instrument panel support left	1
-47	0513008-1	Bulkhead - Instrument panel support right	1
-48	0510139	Cover - Fuselage tunnel forward	1
-49	0513004-1	Panel Assembly - Stationary instrument (serial 25373 thru 26038) (see fig. 45 for breakdown)	1
	0513040-3	Panel Assembly - Stationary instrument (serial 26039 thru 26995) (see fig. 45A for breakdown)	1
	0513040-23	Panel Assembly - Stationary instrument (serial 26996 & on) (see fig. 45B for breakdown)	1
-50	0513035	Brace - Stationary instrument panel left	1
-51	0513035-1	Brace - Stationary instrument panel right	1
-52	0591300-6	Bulkhead Assembly - Landing gear (see figure 21 for breakdown)	1
-53	0511000-18	Skin - Landing gear bulkhead lower	1

ILLUSTRATED PARTS CATALOG

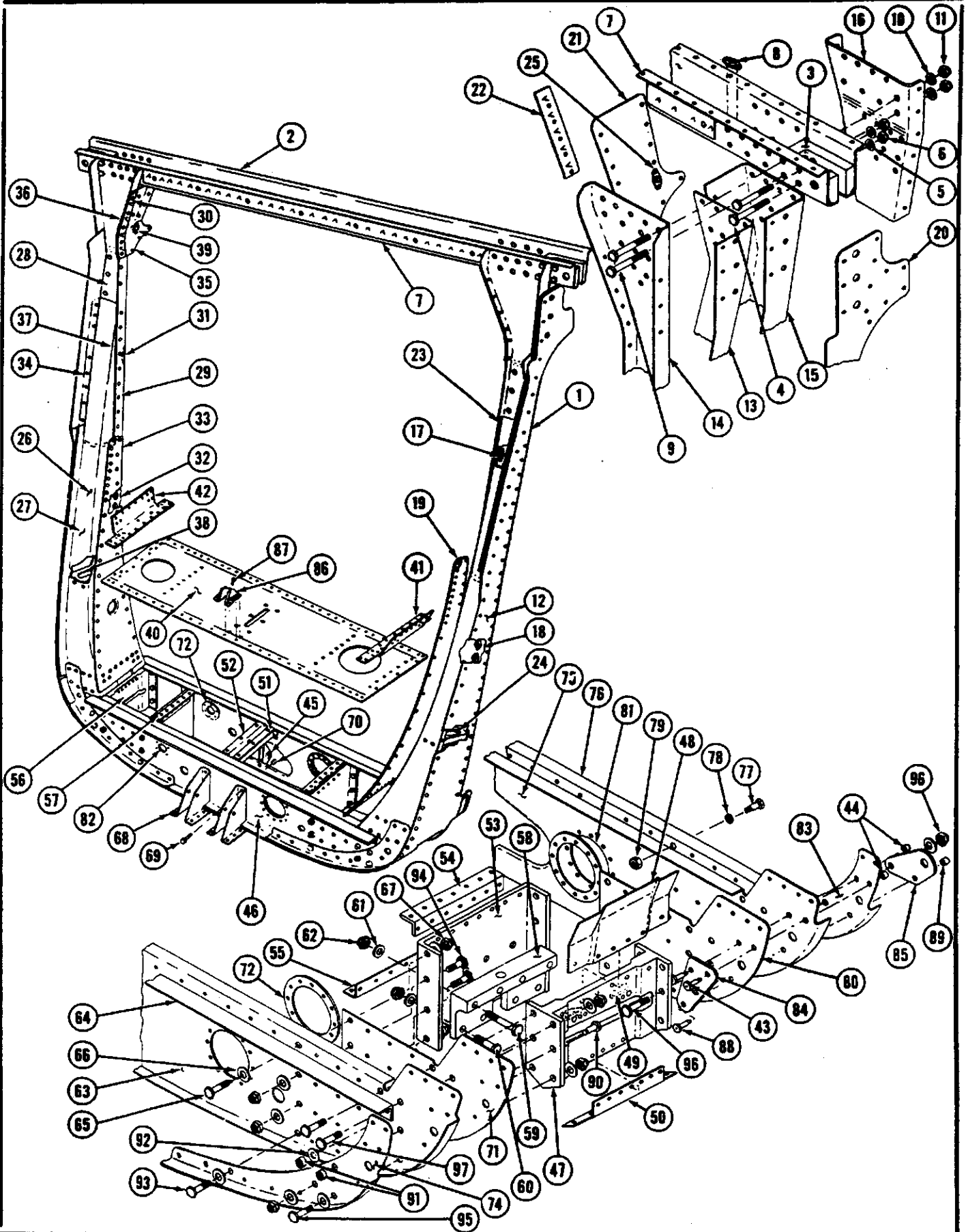


FIGURE 21. LANDING GEAR BULKHEAD ASSEMBLY

ILLUSTRATED PARTS CATALOG

FIGURE AND INDEX NO.	PARTS NUMBER	DESCRIPTION	UNITS PER ASS'Y
21-1	0591300-6	Bulkhead Assembly - Door posts and landing gear support (see figure 19 & 20 for NHA)	Ref
-2	0511162-5	Spar Assembly - Fuselage center section forward	1
-3	0411129	Block - Fuselage spar bearing	2
-4	AN3-20A	Bolt - (Attach block outboard)	4
-5	AN960-10L	Washer - (Attach block outboard)	4
-6	AN365-1032	Nut - (Attach block outboard)	4
-7	0412496	Retainer - Upholstery	1
-8	AN366-1032	Nutplate - (Attach sunvisor)	2
-9	AN3-21A	Bolt - (Attach block inboard)	4
-10	AN960-10L	Washer - (Attach block inboard)	4
-11	AN365-1032	Nut - (Attach block inboard)	4
-12	0591300-1	Door Post Assembly - Fuselage left	1
	0513006-44	Bulkhead Assembly - Left door post forward	1
-13	0513006-3	Bulkhead - Left door post forward	1
-14	0513006-40	Bracket - Left door post upper forward	1
	0513006-110	Bulkhead Assembly - Left door post aft	1
-15	0513006-34	Bulkhead - Left door post aft	1
-16	0513006-38	Bracket - Left door post	1
-17	AN366F1032	Nutplate - (Attach lower end of assist strap)	1
-18	AN366F1032	Nutplate - (Attach door stop)	2
-19	0513006-8	Plate - Left door splice	1
-20	0591300-3	Skin - Left door post outer	1
-21	0513006-42	Reinforcement - Left door post inboard	1
-22	0513006-25	Retainer - Headlining left	1
-23	0513006-16	Retainer - Windshield left	1
-24	0713496-1	Bracket - Stiffener LH	1
-25	AN366F1032	Nutplate - (Attach upper end of assist strap)	1
-26	0591300-2	Door Post Assembly - Fuselage right	1
	0513006-45	Bulkhead Assembly - Right door post forward	1
-27	0513006-21	Bulkhead - Right door post forward	1
-28	0513006-41	Bracket - Right door post upper forward	1
	0513006-111	Bulkhead Assembly - Right door post aft	1
-29	0513006-35	Bulkhead - Right door post aft	1
-30	0513006-39	Bracket - Right door post upper aft	1
-31	AN366F1032	Nutplate - (Attach lower end of assist strap)	1
-32	AN366F1032	Nutplate - (Attach door stop)	2
-33	0513006-22	Plate - Right door post splice	1
-34	0591300-4	Skin - Right door post outer	1
-35	0513006-43	Reinforcement - Right door post upper inboard	1
-36	0513006-26	Retainer - Headlining right	1
-37	0513006-17	Retainer - Windshield right	1
-38	0713496-2	Bracket - Stiffener RH	1
-39	AN366F1032	Nutplate - (Attach upper end of assist strap)	1
-40	0513006-11	Floorboard - Landing gear support	1
-41	0713495-53	Angle - Landing gear bulkhead splice LH	1
-42	0713495-54	Angle - Landing gear bulkhead splice RH	4
-43	NAS178-8-7	Rivet - Hi-Shear	4
-44	NAS179-8	Collar	1
-45	0510163	Bracket - Flap return fuselage lower pulley	1
	AN520-10R7	Screw - (Attach bracket)	1
	AN365-1032	Nut - (Attach bracket)	1
-46	0513006-151	Bulkhead Assembly - Landing gear support	1
	0713495-19	Bracket Assembly - Landing gear support left outboard	1
-47	0713495-3	Bracket - Landing gear support left outboard	1
-48	0713495-57	Angle - Landing gear support outboard left	1
-49	22A17-048	Nutplate - Essna	2
-50	0713495-5	Angle - Landing gear support lower outboard	1
-51	0510112	Bracket - Elevator bellcrank left	1
-52	0510112-1	Bracket - Elevator bellcrank right	1
	0713495-51	Bracket Assembly - Landing gear support left inboard	1
-53	0713495-7	Bracket - Landing gear support left inboard	1
-54	0713495-26	Angle - Landing gear support upper inboard	1
-55	0713495-18	Angle - Landing gear support lower inboard	1
-56	0713495-20	Bracket Assembly - Landing gear support right outboard	1
	0713495-4	Bracket - Landing gear support	1
	0713495-58	Angle - Landing gear support upper right outboard	1
	22A17-048	Nutplate - Essna	2
	0713495-5	Angle - Landing gear support lower outboard	1
-57	0713495-52	Bracket Assembly - Landing gear support right inboard	1
	0713495-8	Bracket - Landing gear support	1
	0713495-25	Angle - Landing gear support upper inboard	1

ILLUSTRATED PARTS CATALOG

FIGURE AND INDEX NO.	PARTS NUMBER	DESCRIPTION	UNITS PER ASS'Y
21-	0713495-18	Angle - Landing gear support lower inboard	1
-58	0713495-6	Angle - Landing gear attachment	2
-59	AN5-15A	Bolt - (Attach angles)	8
-60	AN5-7A	Bolt - (Attach angles)	12
-61	AN960-516	Washer - (Attach angles)	20
-62	AN365-524	Nut - (Attach angles)	20
	0513006-104	Bulkhead Assembly - Landing gear support forward	1
-63	0513006-9	Bulkhead - Landing gear support forward	1
-64	0513006-23	Angle - Forward bulkhead reinforcement	1
-65	AN3-5A	Bolt - (Attach angle)	4
-66	AN960-10	Washer - (Attach angle)	4
-67	AN365-1032	Nut - (Attach angle)	4
-68	0510110	Bracket - Control pulley	2
-69	AN3-4A	Bolt - (Attach pulley bracket)	2
-70	AN365-1032	Nut - (Attach pulley bracket)	2
-71	0713495-15	Plate - Forward bulkhead left reinforcement	1
	0713495-16	Plate - Forward bulkhead right reinforcement	1
-72	0513006-61	Doubler	1
-73	0513006-62	Doubler	1
-74	0713495-11	Stiffener - Bulkhead forward left	1
	0713495-12	Stiffener - Bulkhead forward right	1
	0513006-105	Bulkhead Assembly - Landing gear support aft	1
-75	0513006-103	Bulkhead - Landing gear support aft	1
-76	0513006-24	Angle - Aft bulkhead reinforcement	1
-77	AN3-5A	Bolt - (Attach angle)	2
-78	AN960-10	Washer - (Attach angle)	2
-79	AN365-1032	Nut - (Attach angle)	2
-80	0713495-13	Plate - Aft bulkhead reinforcement left	1
	0713495-14	Plate - Aft bulkhead reinforcement right	1
-81	0513006-61	Doubler	1
-82	0513006-62	Doubler	1
-83	0713495-9	Stiffener - Bulkhead aft left	1
	0713495-10	Stiffener - Bulkhead aft right	1
-84	0713495-55	Spacer - Wing strut fitting forward	4
-85	0713495-17	Plate - Wing strut fitting	2
-86	0713497-1	Bracket Assembly - Forward elevator stop	1
-87	0431141-1	Bolt	1
-88	NAS178-8-7	Rivet - (Hi-Shear)	2
-89	NAS179-8	Collar	2
-90	NAS178-10-6	Rivet - (Hi Shear)	4
-91	NAS179-10	Collar	4
-92	AN960-516L	Washer	2
-93	AN5-6A	Bolt	4
	AN960-516L	Washer	4
	AN365-524	Nut	4
-94	AN6-6A	Bolt	10
	AN960-616L	Washer	10
	AN365-624	Nut	10
-95	AN5-7A	Bolt	20
	AN960-516	Washer	20
	AN365-524	Nut	20
-96	AN6-10A	Bolt	2
	AN960-616	Washer	2
	AN365-624	Nut	2
-97	AN6-7A	Bolt	8
	AN960-616	Washer	8
	AN365-624	Nut	8

ILLUSTRATED PARTS CATALOG

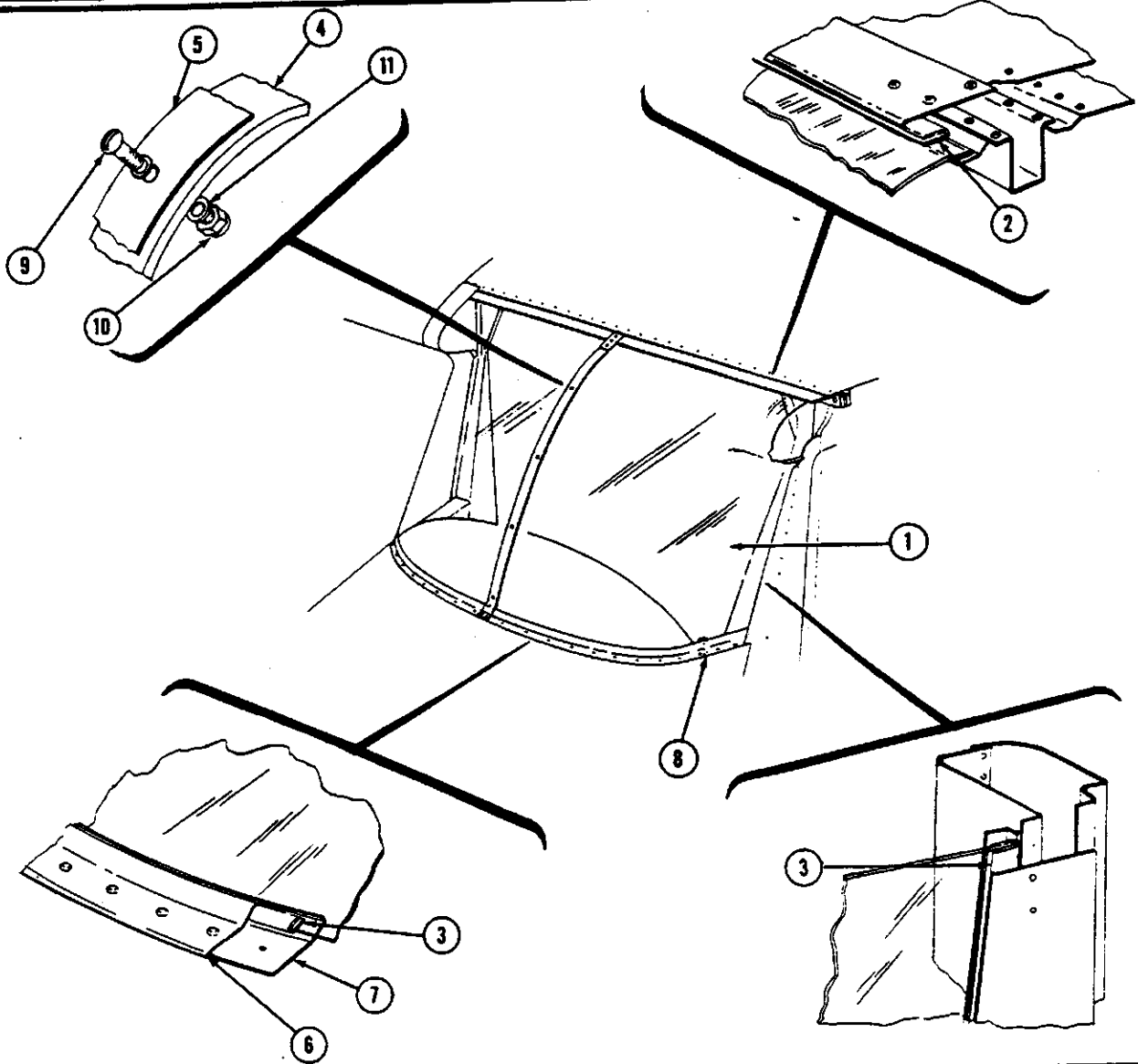


FIGURE 22. WINDSHIELD INSTALLATION

FIGURE AND INDEX NO.	PARTS NUMBER	DESCRIPTION	UNITS PER ASS'Y
22-	No Number	Windshield Installation - (See figure 17 for NHA)	Ref
-1	0510000-26	Windshield Assembly - (Serial 20267 thru 26995) (when exhausted use 0510001-5)	1
	0510001-5	Windshield Assembly - (Serial 26996 & on)	1
-2	0510000-5	Pad - Windshield upper	1
-3	0510000-4	Pad - Windshield side & lower	1
-4	0510000-16	Strip - Windshield inside center (serial 20267 thru 26995)	1
	0510001-4	Strip - Windshield inside center (serial 26996 & on)	1
-5	Deleted		
	0510001-7	Strip - Windshield outside center	1
-6	0510000-21	Strip - Windshield lower outer	1
-7	0510000-22	Strip - Windshield lower inner	2
-8	0510000-9	Clip - Fairing retainer	4
-9	AN526-1032R10	Screw - (Attach windshield center strips)	4
-10	22-NKM-10-3	Nut - (Attach windshield center strips)	4
-11	0311001-27	Washer - (Attach windshield center strips)	8

ORDER BY PART NUMBER AND NAME SERIAL NUMBER AND COLOR IF APPLICABLE

ILLUSTRATED PARTS CATALOG

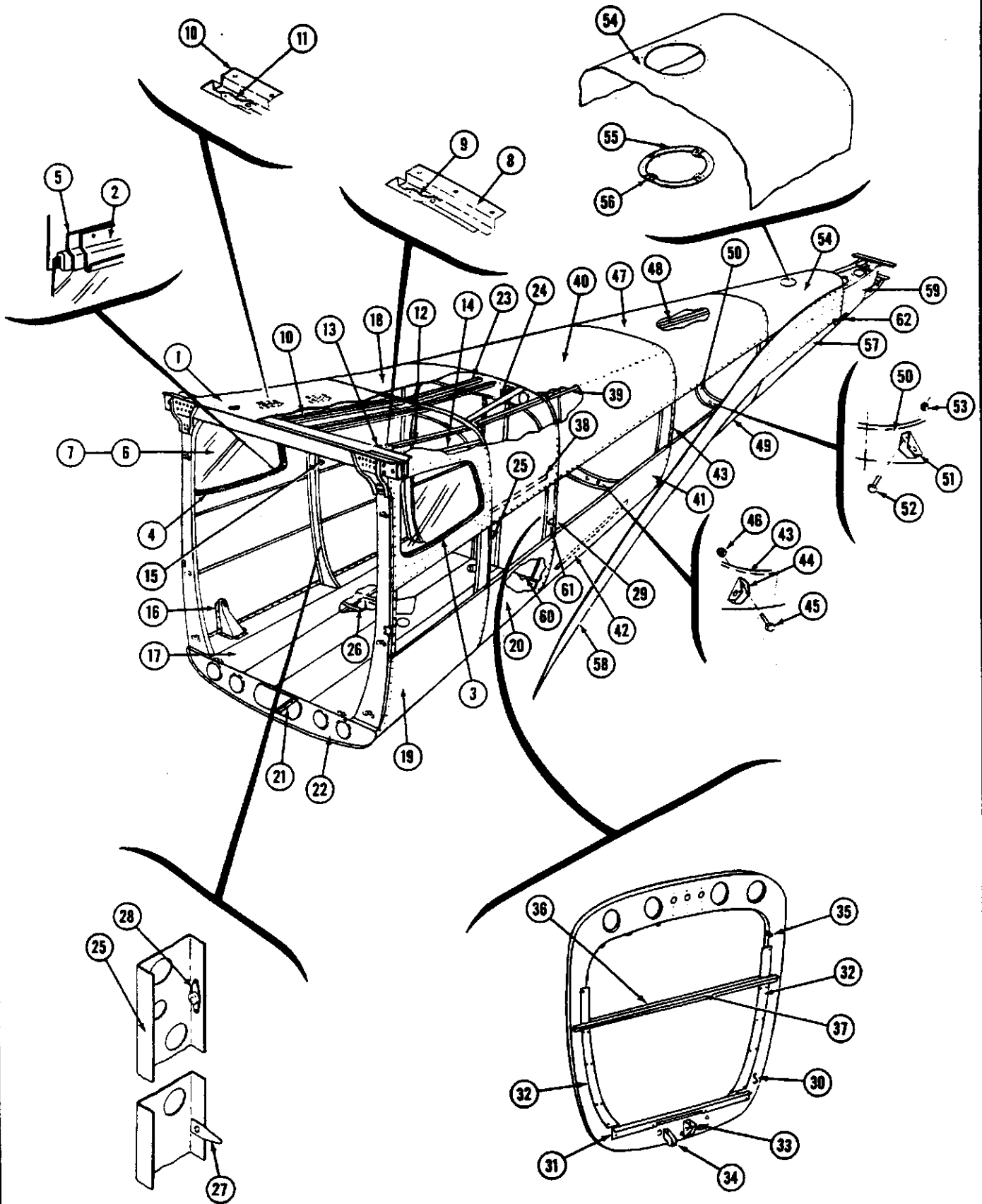


FIGURE 23. FUSELAGE AFT SECTION ASSEMBLY

ILLUSTRATED PARTS CATALOG

FIGURE AND INDEX NO.	PARTS NUMBER	DESCRIPTION	UNITS PER ASSY
23-	0591200-1	Aft Section Assembly - Fuselage (serial 20267 thru 26995) (see figure 17 for NHA)	Ref
	0591200-6	Aft Section Assembly - Fuselage (serial 26996 & on) (see figure 17 for NHA)	Ref
-1	0591200-56	Skin Assembly - Aft section upper (Sta. 65.33 to 90.00) (serial 20267 thru 26504)	1
	0591200-2	Skin Assembly - Aft section upper (Sta. 65.33 to 90.00) (serial 26505 & on)	1
-2	0511138	Retainer - Window interior trim upper left (serial 20267 thru 26504)	1
	0512155-5	Retainer - Window interior trim upper left (serial 26505 & on)	1
	0511138	Retainer - Window interior trim upper right (serial 20267 thru 26504)	1
	0512155-6	Retainer - Window interior trim upper right (serial 26505 & on)	1
-3	0511143-6	Retainer - Window interior trim left (serial 20267 thru 26504)	1
	0512155-3	Retainer - Window interior trim left (serial 26505 & on)	1
-4	0511143-5	Retainer - Window interior trim right (serial 20267 thru 26504)	1
	0512155-4	Retainer - Window interior trim right (serial 26505 & on)	1
-5	0512147	Frame - Window (serial 20267 thru 26504)	2
	0512155-1	Frame - Window left (serial 26505 & on)	1
	0512155-2	Frame - Window right (serial 26505 & on)	1
-6	0512000-54	Window Assembly - Aft section (serial 20267 thru 26504)	2
	0591200-3	Window Assembly - Aft section (serial 26505 & on)	2
-7	5279	Moulding - Aft section window	1
-8	0411718-2	Stiffener Assembly - Cabin top	2
-9	0411680	Hanger - Upholstery	2
-10	0512000-66	Bracket Assembly - Headliner wires attaching	4
-11	0411680	Hanger - Upholstery	1
-12	0512145	Angle - Top stiffener left inboard	1
	0512145-1	Angle - Top stiffener right inboard	2
-13	0512151	Clip - (Attach angle)	1
-14	0512000-38	Angle - Top stiffener left outboard	1
	0512000-39	Angle - Top stiffener right outboard	1
-15	0511108-18	Catch - Rear seat back left (serial 20267 thru 26504)	1
	0511108-19	Catch - Rear seat back right (serial 20267 thru 26504)	1
	0511108-18	Catch - Rear seat back left (serial 26505 thru 26995)	1
	0511108-19	Catch - Rear seat back right (serial 26505 thru 26995)	1
	0511285-3	Bulkhead Assembly - Rear seat catch left (serial 26996 & on)	1
	0511285-4	Bulkhead Assembly - Rear seat catch right (serial 26996 & on)	1
	AN366F1032	Nutplate	4
-16	0511108-16	Bracket Assembly - Rear seat attachment	2
-17	0512107-32	Floorboard Assembly - Fuselage rear	1
-18	0512000-73	Skin - Aft section fuselage upper (Sta. 90.00 to 108.00)	1
-19	0512000-5	Skin - Aft section fuselage lower (Sta. 65.33 to 90.00)	1
-20	0512000-7	Skin - Aft section fuselage lower (Sta. 90.00 to 108.00)	1
-21	0512000-20	Angle - Fuselage reinforcement (Sta. 65.33 to 90.00)	1
-22	0791100-5	Bulkhead Assembly - Fuselage aft section (Sta. 65.33) (see figure 24 for breakdown)	1
-23	0512000-18	Stiffener - Aft section skin upper	3
-24	0511232-4	Strap - Shoulder harness reinforcement	2
-25	0512113	Bulkhead Assembly - Fuselage aft section (Sta. 90.00)	1
-26	0512113-7	Angle - Reinforcement	1
-27	0511176	Clip - Upholstery retaining	4
-28	AN366F1032	Nutplate	1
-29	0512121	Bulkhead Assembly - Fuselage aft section (Sta. 108.00)	1
-30	0512121-3	Bulkhead - Fuselage aft section (Sta. 108.00)	1
-31	0511149-1	Retainer - Lower interior trim	1
-32	0512121-4	Plate	2
-33	0510164	Pulley Bracket - Elevator	1
-34	0412467	Pulley Bracket - Elevator tab	1
-35	0511132	Clip - Baggage compartment upholstery	9
-36	0512148	Angle - Baggage shelf	1
-37	0511145	Support Assembly - Interior trim	1
-38	0511146	Retainer Assembly - Upholstery	2
-39	0512000-19	Stiffener - Aft section upper skin	3
-40	0512000-8	Skin - Aft section upper (Sta. 108.00 to 140.00)	1
-41	0512000-9	Skin - Aft section lower (Sta. 108.00 to 140.00)	1
-42	0511030-5	Angle - Radio Installation (left side only) (serial 25373 & on)	1
-43	0512111	Bulkhead Assembly - Fuselage aft section (Sta. 140.00)	1
-44	0510106	Bracket - Rudder cable pulley left	1
-45	AN520-10R7	Screw - (Attach pulley bracket)	1
-46	AN365-428	Nut - (Attach pulley bracket)	1
-47	0512000-27	Skin - Aft section fuselage upper (Sta. 140.00 to 172.00)	1
-48	0512000-70	Angle Assembly - Dorsal fin attaching	1
	AN362F1032	Nutplate - (Attach dorsal fin)	1

ILLUSTRATED PARTS CATALOG

FIGURE AND INDEX NO.	PARTS NUMBER	DESCRIPTION	UNITS PER ASS'Y
23-49	0512000-28	• Skin - Aft section fuselage lower (Sta. 140.00 to 172.00)	1
-50	0512110	• Bulkhead Assembly - Aft section fuselage (Sta. 172.00)	1
-51	0510106-1	• Bracket - Rudder cable pulley left	1
-52	AN520-10R7	• Screw - (Attach pulley bracket)	1
-53	AN365-428	• Nut - (Attach pulley bracket)	1
-54	0512000-72	• Skin Assembly - Aft section fuselage upper (Sta. 172.00 to 205.812)	1
-55	0511000-20	• Doubler	1
-56	NAS395-14-3	• Nut - (Tinnerman #A1274-8Z-3)	3
-57	0512000-30	• Skin - Aft section fuselage lower (Sta. 172.00 to 205.812)	1
-58	0512000-26	• Plate - Fuselage splice	2
-59	0591200-4	• Tailcone Assembly - Fuselage (Sta. 205.812 to 228.687) (see figure 25 for breakdown)	1
-60	AN366F428	• Nutplate	2
-61	0413181-1	• Clip - Skin stiffener	8
-62	0831000-43	• Cover - Tailwheel control cable	2

NOTE: When ordering 0591200-1 aft section for airplanes with old style tail gear (see figure 28), also order parts marked "*" on figure 29.

BLANK PAGE

ILLUSTRATED PARTS CATALOG

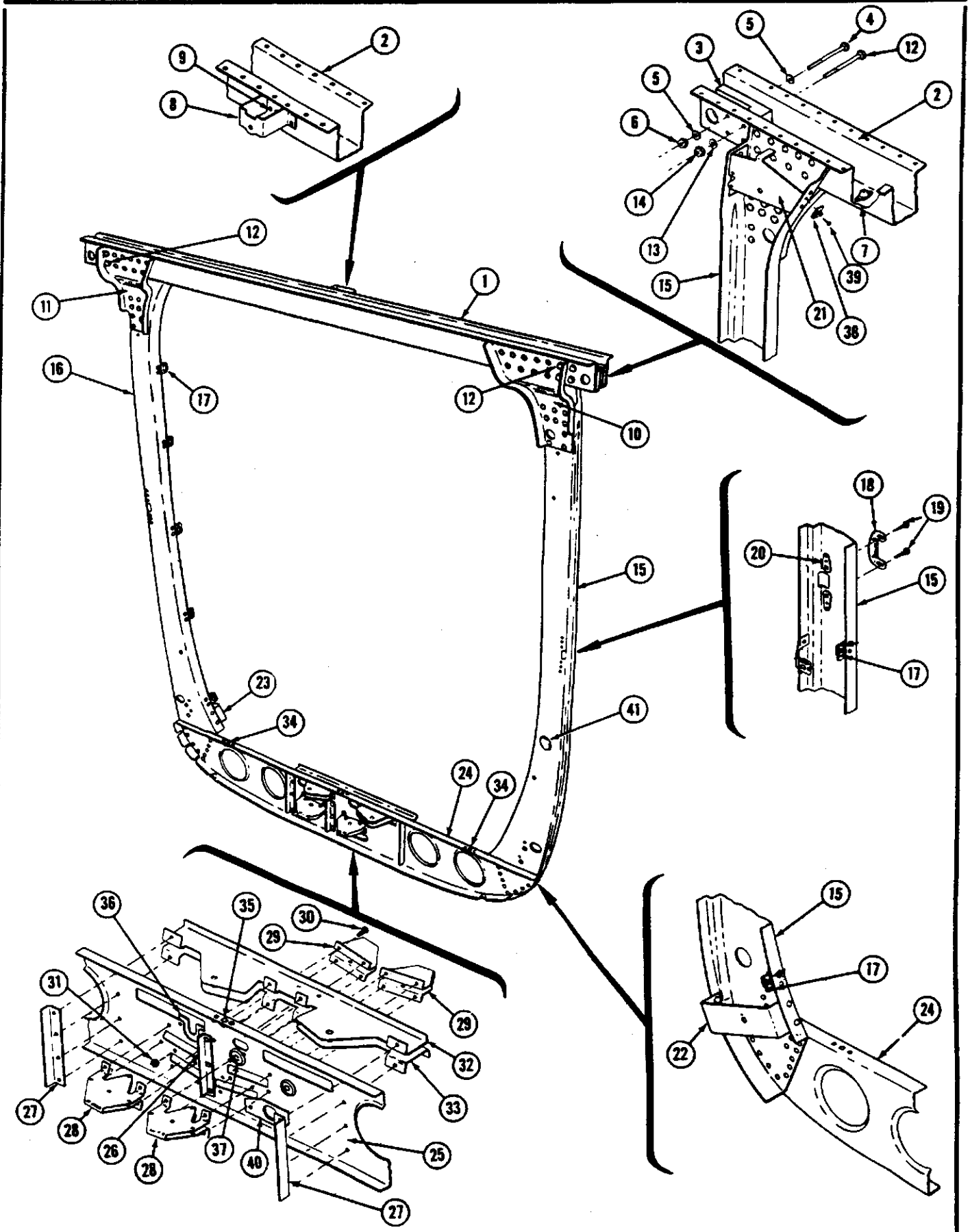


FIGURE 24. FUSELAGE BULKHEAD ASSEMBLY (STATION 65.33)

ILLUSTRATED PARTS CATALOG

FIGURE AND INDEX NO.	PARTS NUMBER	DESCRIPTION	UNITS PER ASS'Y
24-	0791100-5	Bulkhead Assembly - Fuselage (Sta. 65.33)(see figure 18 & 23 for NHA)	Ref
-1	0512124-51	Spar Assembly - Fuselage rear	1
-2	0512124-6	Spar - Fuselage rear	1
-3	0512122	Block - Bearing	2
-4	AN3-20A	Bolt - (Attach block)(outboard only)	4
-5	AN960-10	Washer - (Attach block)	8
-6	AN365-1032	Nut - (Attach block)	4
-7	AN366F1032	Nutplate - (Attach shoulder harness)	2
-8	0512137	Bracket - Pulley	1
-9	AN366F1032	Nutplate - (Attach pulley)	1
-10	0512124-8	Brace - Bulkhead to rear spar left	1
-11	0512124-9	Brace - Bulkhead to rear spar right	1
-12	AN3-20A	Bolt - (Attach block)(inboard only)	4
-13	AN960-10	Washer - (Attach block)	4
-14	AN365-1032	Nut - (Attach block)	4
	0791100-8	Channel Assembly - Left	1
	0512124-12	Channel Assembly - Right	1
-15	0512124-19	Channel - Left	1
-16	0512124-20	Channel - Right	1
-17	0512150	Clip - Upholstery fairing attaching	5
-18	0411582	Strike Plate - Door latch	1
-19	AN526-832R8	Screw - (Attach strike plate)	2
-20	22A17A-82	Nutplate - (Esna) (Attach strike plate)	2
-21	0512139	Bracket - Aileron upper left pulley	1
	0512139-1	Bracket - Aileron upper right pulley	1
-22	0512134	Bracket - Left pulley	1
-23	0512134-1	Bracket - Right pulley	1
-24	0512124-13	Bulkhead Assembly - Lower	1
-25	0512133	Bulkhead - Lower	1
-26	0512124-5	Angle - Bulkhead center reinforcement	1
-27	0512124-7	Angle - Bulkhead reinforcement	2
-28	0512128	Bracket - Flap pulley	2
-29	0512129	Bracket - Flap return pulley	2
-30	AN520-10R7	Screw - (Attach pulley bracket)	8
-31	AN365-1032	Nut - (Attach pulley bracket)	8
-32	0512132	Bracket Assembly - Aileron pulley upper	1
	0512132-4	Fairlead	1
-33	0512132-1	Bracket Assembly - Aileron pulley lower	1
	0512132-4	Fairlead	1
	0512132-5	Fairlead	1
-34	AN366F428	Nutplate	2
-35	AN366F1032	Nutplate	1
-36	0512152	Fairlead	1
-37	0412006	Fairlead	2
-38	A2980A-2-27	Clamp - (Tinnerman)	1
-39	PK76XZ-4-6	Screw - (Attach clamp)	1
-40	0512124-15	Fairlead	1
-41	51149	Plug Button (United Carr)	1

ILLUSTRATED PARTS CATALOG

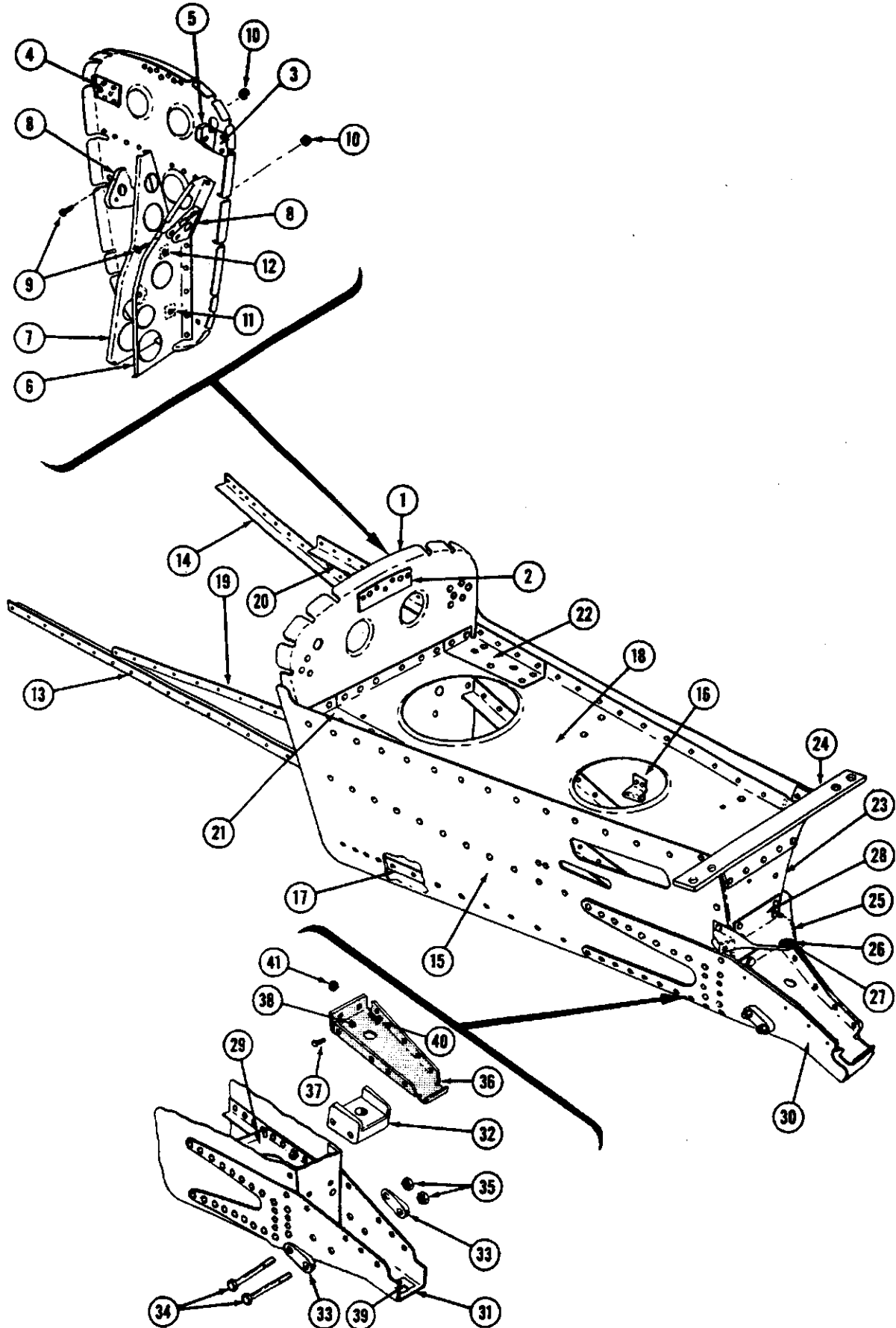


FIGURE 25. TAIL CONE ASSEMBLY

ILLUSTRATED PARTS CATALOG

FIGURE AND INDEX NO.	PARTS NUMBER	DESCRIPTION	UNITS PER ASS'Y
25-	0591200-4	Tailcone Assembly - Fuselage (Sta. 205.812 to 228.687) (see figure 23 for NHA)	Ref
-1	0512141-1	Bulkhead Assembly - Fuselage aft section (Sta. 205.812)	1
-2	0512142-1	Doubler - Bulkhead reinforcement	1
-3	0512143	Doubler - Bulkhead reinforcement left	1
-4	0512143-1	Doubler - Bulkhead reinforcement right	1
-5	0412487	Bracket - Trim tab pulley	1
-6	0510142	Bracket - Elevator bellcrank support left	1
-7	0510143	Bracket - Elevator bellcrank support right	1
-8	0411447	Bracket - Rudder control pulley	2
-9	AN520-10R7	Bolt - (Attach rudder pulley bracket)	2
-10	AN365-1032	Nut - (Attach rudder pulley bracket)	2
-11	0510146-2	Stop - Elevator bellcrank lower	1
	AN4-12A	Bolt - (Attach lower elevator bellcrank stop)	1
	AN365-428	Nut - (Attach lower elevator bellcrank stop)	1
-12	0510146-2	Stop - Elevator bellcrank upper	1
	AN4-11A	Bolt - (Attach upper elevator bellcrank stop)	1
	AN365-428	Nut - (Attach upper elevator bellcrank stop)	1
-13	0512119	Angle - Tailcone reinforcement upper left	1
-14	0512119-1	Angle - Tailcone reinforcement upper right	1
-15	0512000-80	Skin - Aft section fuselage lower (Sta. 205.812 to 228.687)	1
-16	0412142	Bracket - Rudder cable fairlead	2
-17	0512117	Angle - Tailcone reinforcement lower left	1
	0512117-1	Angle - Tailcone reinforcement lower right	1
	0512118-10	Bulkhead Assembly - Horizontal	1
-18	0512118-7	Bulkhead - Horizontal	1
-19	0512118-5	Angle - Bulkhead reinforcement left	1
-20	0512118-6	Angle - Bulkhead reinforcement right	1
-21	0512118-9	Doubler - Bulkhead reinforcement left	1
-22	0512118-8	Doubler - Bulkhead reinforcement right	1
	0512108	Bulkhead Assembly - Fuselage aft section (Sta. 228.687)	1
-23	0512108-3	Bulkhead - Fuselage aft section (Sta. 228.687)	1
-24	0512108-5	Angle - Stabilizer attachment	1
-25	0510109	Hinge - Rudder	1
-26	A-325-1	Bearing - Oilite	1
-27	0431119	Bushing - Rudder hinge	1
-28	0512000-60	Shim - Rudder hinge	1
-29	0512126	Bracket - Tailwheel mounting shear	1
-30	0512000-75	Bracket Assembly - Tailwheel mounting	1
-31	0512154-1	Bracket - Tailwheel mounting	1
-32	0510000-35	Block - Tailwheel spring retainer	1
-33	0510000-34	Spacer - Tailwheel bracket wedge	2
-34	AN4-30A	Bolt - (Attach block and spacers)	2
-35	AN365-428	Nut - Self locking (attach block and spacers)	2
-36	0510000-31	Channel - Tailwheel spring retainer	1
-37	AN3-4A	Bolt - (Attach channel)	2
-38	AN365-1032	Nut - Self-locking (attach channel)	2
-39	0512000-76	Spacer	2
-40	AN3-4A	Bolt - (Attach bracket)	2
-41	AN365-1032	Nut - (Attach bracket)	2

NOTE: When ordering 0591200-4 tailcone for airplane with old style tail gear (see figure 28), also order parts marked "*" on figure 29.

ILLUSTRATED PARTS CATALOG

WHEEL ALIGNMENT SHIM CHART

SRM PART NO.	PORTION OF THICKEST CORNER OF SHIM	CORRECTION IMPOSED ON WHEEL			
		TOE-IN	TOE-OUT	POS. CAMBER	NEG. CAMBER
0541111-2	UP & FORWARD	—	0°43' (.09)	3° (.39)	—
	UP & AFT	2°14' (.28)	—	2°9' (.28)	—
	DOWN & FORWARD	—	2°14' (.28)	—	2°9' (.28)
	DOWN & AFT	0°43' (.09)	—	—	3° (.39)
0441138-5	UP & FORWARD	—	0°49' (.10)	0°34' (.07)	—
	UP & AFT	1° (.125)	—	0°	0°
	DOWN & FORWARD	—	1° (.125)	0°	0°
	DOWN & AFT	0°49' (.10)	—	—	0°34' (.07)
0441138-6	UP & FORWARD	—	1°38' (.20)	1°8' (.15)	—
	UP & AFT	2° (.25)	—	0°	0°
	DOWN & FORWARD	—	2° (.25)	0°	0°
	DOWN & AFT	1°38' (.20)	—	—	1°8' (.15)

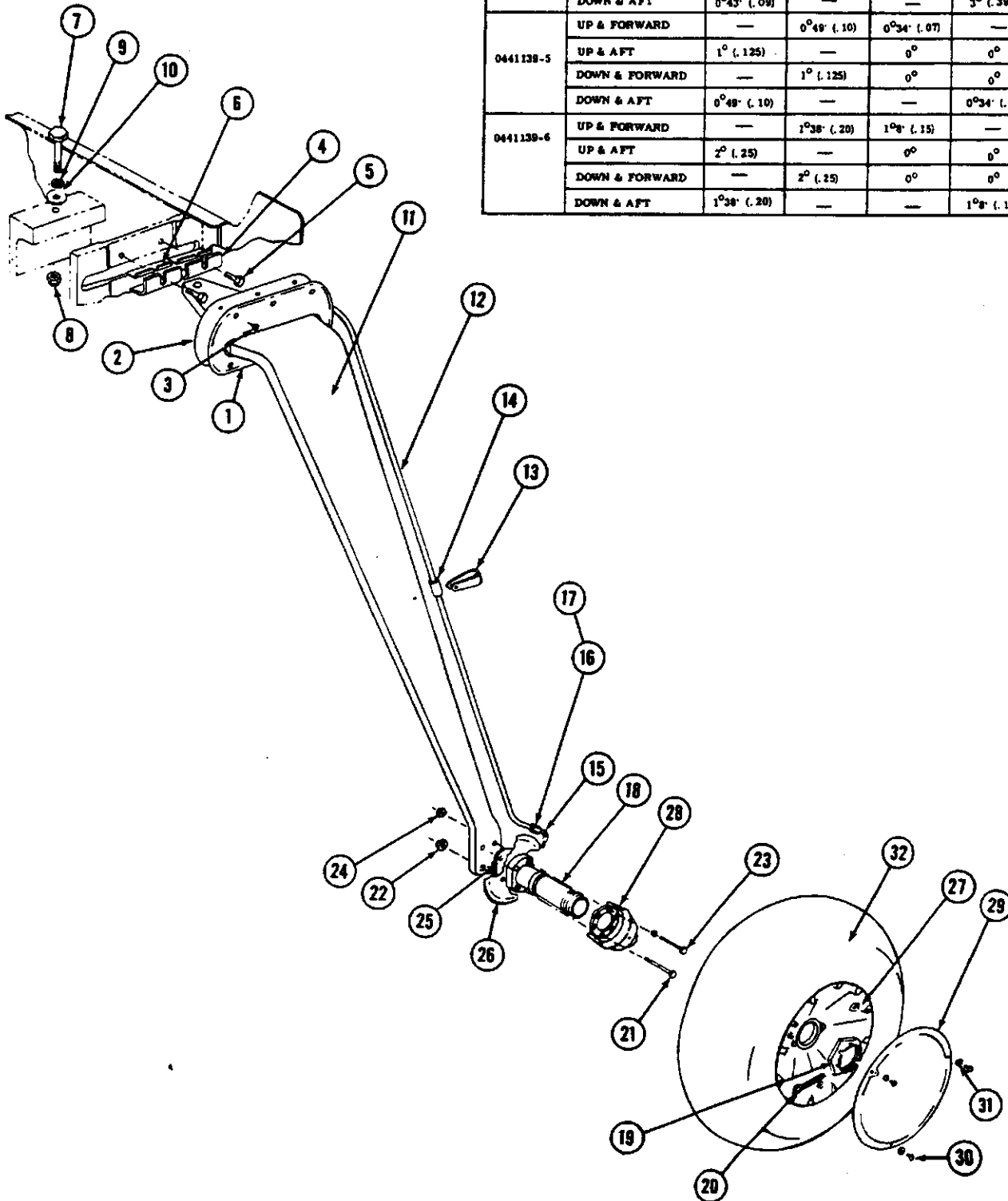


FIGURE 26. MAIN LANDING GEAR INSTALLATION

ILLUSTRATED PARTS CATALOG

FIGURE AND INDEX NO.	PARTS NUMBER	DESCRIPTION	UNITS PER ASSY
26-	No Number	Main Landing Gear Installation - (See figure 1 for NHA)(0541103 Ref.)	Ref
-1	0511124	Plate - Landing gear fillet	2
-2	0511125	Seal - Landing gear fillet	2
-3	PK76XZ-8-8	Screw - (Attach plate)	14
-4	0441115	Wedge - Landing gear support	4
-5	AN4-11A	Bolt - (Attach wedge)	4
-6	0741007	Shim - Spring alignment	AR
-7	AN7-20A	Bolt - (Attach landing gear at fuselage)	2
-8	AN365-720C	Nut - (Attach landing gear at fuselage)	2
-9	AN960-716	Washer - (Attach landing gear at fuselage)	AR
-10	0541105	Shim - Wing adjustment (Landing gear attachment)	AR
-11	0541114	Spring - Landing gear (serial 20267 thru 25611)	2
	0541118-3	Spring - Landing gear LH (serial 25612 & on)	1
	0541118-2	Spring - Landing gear RH (serial 25612 & on)	1
-12	0500106-10	Line - Brake LH	1
	0500106-11	Line - Brake RH	1
-13	0541136	Bracket - Brake line retainer (serial 20267 thru 25372)	2
	0741000-7	Bracket - Brake line retainer (serial 25373 & on)	2
-14	0341115	Hose - Brake line protector (serial 20267 thru 25372)	2
	0441119	Hose - Brake line protector (serial 25373 & on)	2
-15	AN833-4D	Elbow	2
-16	AN924-4D	Nut - (Attach elbow)	2
-17	AN902-4	Gasket - (Attach elbow)	2
-18	0541124	Axle - Landing gear	2
	0541124-1	Axle - Landing gear (Optional equipment for ski plane)	2
-19	AN7502-24	Nut - Axle	2
-20	AN380-4-3	Pin - Cotter	4
-21	AN6-24A	Bolt - Lower (attach axle to spring)	4
	NAS146-42	Bolt - Lower (attach axle to spring)(optional for ski plane)	4
-22	AN365-624C	Nut - Lower (attach axle to spring)	4
	AN365-624C	Nut - Lower (attach axle to spring)(optional for ski plane)	4
-23	AN5-23A	Bolt - Upper (attach axle to spring)	4
	NAS145-41	Bolt - Upper (attach axle to spring)(optional for ski plane)	4
	NAS143-5C	Washer - Upper (attach axle to spring)(optional for ski plane)	4
-24	AN365-524C	Nut - Upper (attach axle to spring)	4
	NAS365-524C	Nut - Upper (attach axle to spring)(optional for ski plane)	4
-25	0541111-2	Shim - Landing gear	AR
	0441139-5	Shim - Landing gear	AR
	0441139-6	Shim - Landing gear	AR
-26	0441141	Cover - Brake disc LH	1
	0441141-1	Cover - Brake disc RH	1
-27	0441016-1	Wheel Assembly - (See figure 27 for breakdown)	2
-28	0541103-52	Brake Assy - Complete (see figure 27 for breakdown)	2
-29	0441010	Fairing - Wheel (serial 20267 thru 26504)	2
	0541119	Fairing - Wheel (serial 26505 & on)	2
-30	AN515-6R4	Screw - (Attach fairing)	6
-31	AN936A-6	Washer	6
-32	0441016-12	Tire - 600 x 6 4-Ply	2
	0441016-13	Tube	2

* If wing tips are more than 3 inches out of level adjust by inserting or removing shims under landing gear spring.

ILLUSTRATED PARTS CATALOG

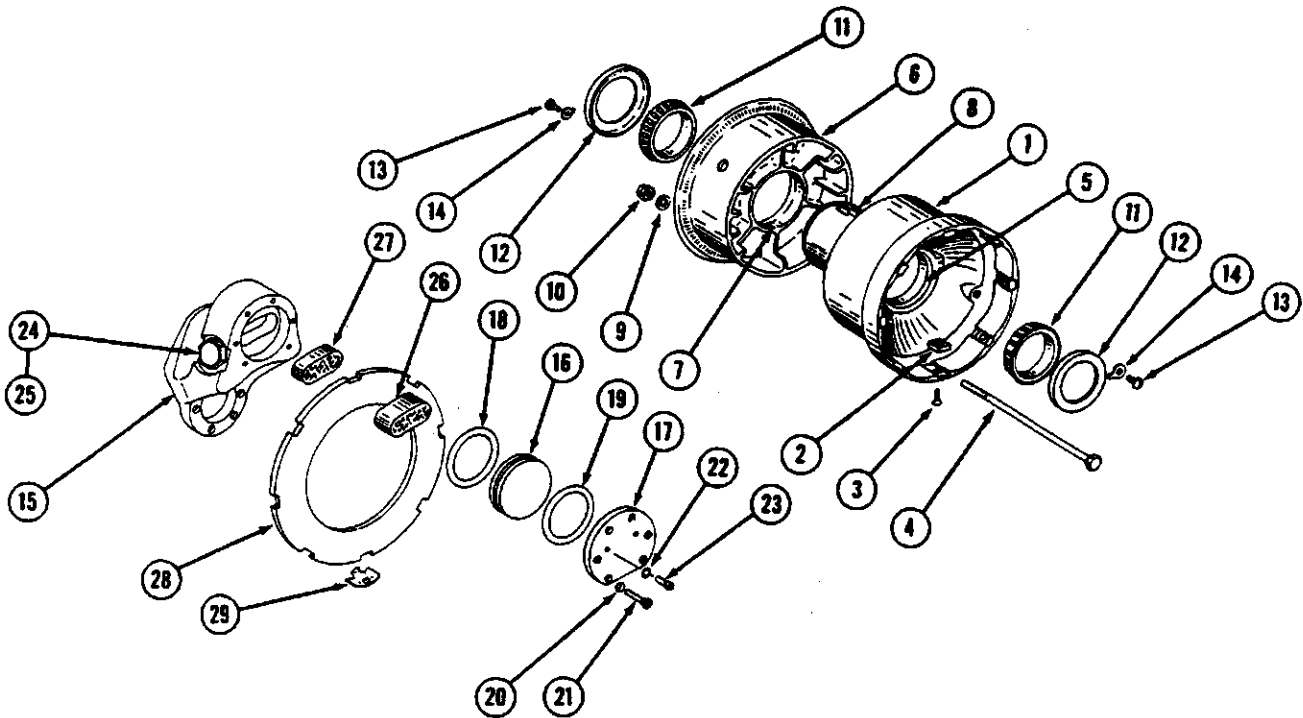
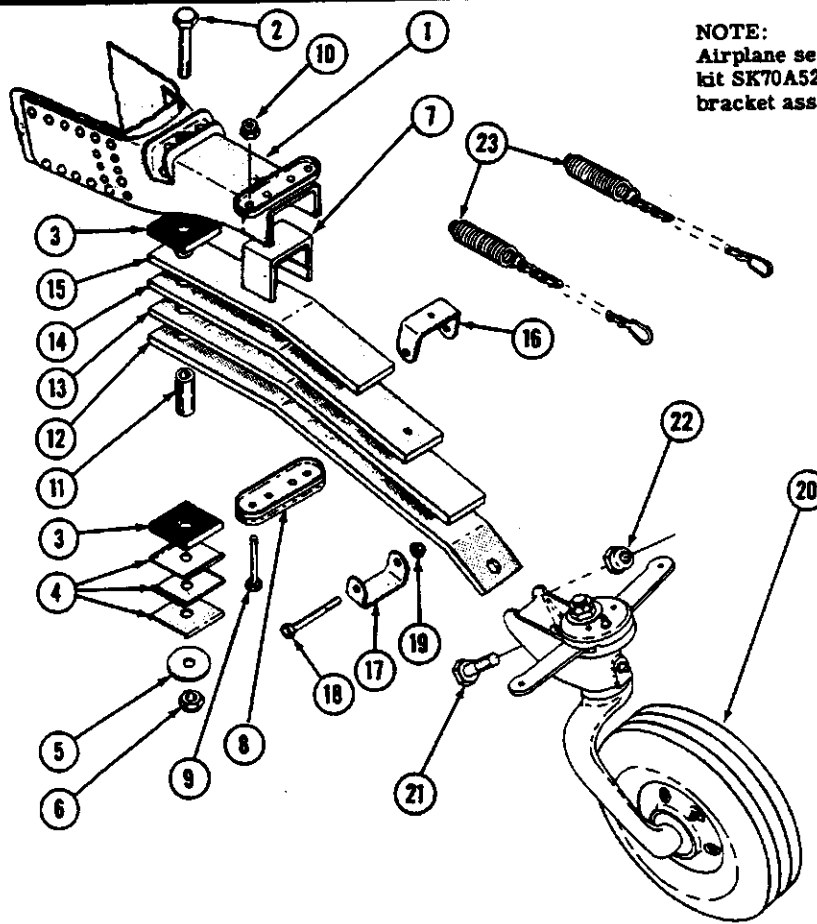


FIGURE 27. WHEEL AND BRAKE ASSEMBLIES

FIGURE AND INDEX NO.	PARTS NUMBER	DESCRIPTION	UNITS PER ASS'Y
27-	0441016-1	Wheel Assembly - Main landing gear (GY511960S) (see figure 26 for NHA)	Ref
-1	0441016-2 *	Wheel Sub-assembly - Inboard half (GY 95-3474S)	1
-2	0441016-4	Key - Disc drive (GY 95 20101)	8
-3	0441016-5	Screw - Disc drive (GY 95 20657)	8
-4	AN4-47A	Bolt	3
-5	0441016-6	Cup - (Timken 13830)	1
-6	0441016-7	Wheel Sub-assembly - Outboard half (GY 95-2313S)	1
-7	0441016-6	Cup - (Timken 13830)	1
-8	0441016-25	Spacer - Hub (GY 95 21698)	1
-9	AN960-416L	Washer - Plain	1
-10	AN365-428	Nut - Self-locking	3
-11	0441016-9	Cone - Bearing (Timken 13889)	2
-12	0441016-10	Ring - Bearing retainer (GY 95-1043)	2
-13	0441016-15	Screw	4
-14	0441016-11	Terminal - (GY 95-2243)	4
-15	0541103-52	Brake Assembly - (See figure 26 for NHA)	Ref
-15	0541103-50	Housing Assembly	1
-16	0541103-16	Bushing -	3
-16	0541116-34	Piston - (GY 95-10155)	1
-17	0541117-4	Cylinder Head - (GY 95-10731)	1
-18	AN6230-3	Seal - (Piston "O" ring)	1
-19	AN6230-2	Seal - (Cylinder head)	1
-20	AN936C10	Washer	1
-21	95-5163	Screw - #10-24NC x 7/8	6
-22	0541118-36	Seal - Bleeder (GY 95-10957)	6
-23	AN505-8R5	Screw - Bleeder (GY 95-5195)	2
-24	0441015-8	Plug - Inlet (GY 95-20448)	2
-25	AN902-4	Gasket - Inlet (GY 95-5761)	1
-26	0541116-32	Lining - Piston side (GY 95-11269)	2
-27	0541116-30	Lining - Stationary (GY 95-11271)	1
-28	0541117-11	Disc - Brake (GY 95-30287)	1
-29	0541117-12	Clip - Brake disc (GY 95-20403)	4

* (GY Indicates Goodvear Tire & Rubber Co.)

ILLUSTRATED PARTS CATALOG



NOTE:
Airplane serial 20267 thru 20805 order kit SK70A52-4 in lieu of 0512125-1 bracket assembly.

FIGURE 28. TAILWHEEL INSTALLATION (SERIALS 20267 THRU 20805)

FIGURE AND INDEX NO.	PARTS NUMBER	DESCRIPTION	UNITS PER ASS'Y
28-	No Number	Tailwheel Installation - (Serial 20267 thru 20805) (see figure 1 for NHA)	Ref
-1	0512125-1	Bracket Assembly - (Not available for spares)	1
-2	AN6-23A	Bolt - (Attach springs to tailwheel mounting bracket)	2
-3	0442119-1	Pad - Tailwheel attachment (rubber)	3
-4	0442116-1	Retainer - Tailwheel attachment	1
-5	0442128	Washer - Tailwheel attachment	1
-6	AN365-624	Nut - Self-locking	1
-7	0442124	Strip Assembly - Tailwheel abrasion	1
-8	0442127	Stiffener Assembly - Tailwheel attachments	2
-9	AN3-20A	Bolt - (Attach stiffener assembly)	2
-10	AN365-1032	Nut - (Attach stiffener assembly)	1
-11	0442129-1	Bushing - Tailwheel attachment	1
-12	0542106	Leaf - Tailwheel spring	1
-13	0542105	Leaf - Tailwheel spring	1
-14	0442108-2	Leaf - Tailwheel spring	1
-15	0442109-2	Leaf - Tailwheel spring	1
-16	0542108	Shackle - Tailwheel spring	1
-17	0442125	Guard - Tailwheel steering chain	1
-18	AN4-21A	Bolt - (Attach guard)	1
-19	AN365-428	Nut - (Attach guard)	1
-20	0442006	Tailwheel Assembly - (See figure 30 for breakdown)	1
-21	AN7-10A	Bolt - (Attach tailwheel assembly to springs)	1
-22	AN365-720	Nut - (Attach tailwheel assembly to springs)	1
-23	0442008	Spring and connector assembly - (Scott #2151)	2

ILLUSTRATED PARTS CATALOG

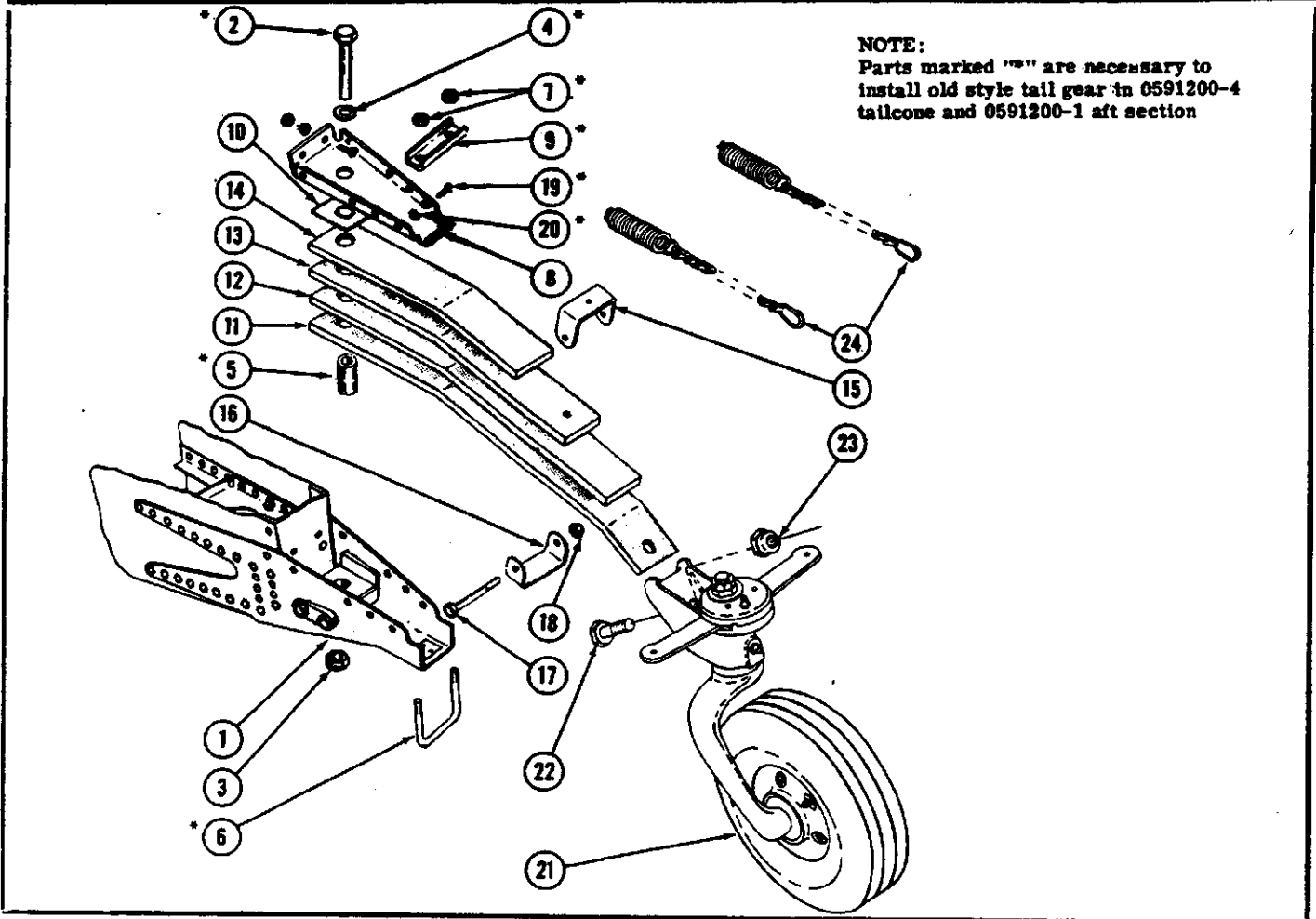


FIGURE 29. TAILWHEEL INSTALLATION (SERIALS 20806 AND ON)

FIGURE AND INDEX NO.	PARTS NUMBER	DESCRIPTION	UNITS PER ASS'Y
29-	No Number	Tailwheel Installation - (Serial 20806 & on) (see figure 1 for NHA)	Ref
-1	0512000-75	Bracket Assembly - Tailwheel mounting (see figure 25 for NHA)	Ref
-2	AN6-22A *	Bolt - (Attach springs & channel to bracket)	1
-3	AN365-624	Nut - (Self-locking) (attach springs & channel to bracket)	1
-4	AN960-616 *	Washer - (Attach springs and channel to bracket)	1
-5	0510000-36 *	Bushing - Tailwheel attachment	1
-6	0510000-32 *	U-Bolt - (Attach springs)	1
-7	AN365-428 *	Nut - (Attach U-bolt)	2
-8	0510000-31	Channel - Tail wheel spring retainer (see figure 25 for NHA)	Ref
-9	0510000-33 *	Stiffener - (Attach channel)	1
-10	0510000-30	Shim	1
-11	0542106	Leaf - Tailwheel spring	1
-12	0542105	Leaf - Tailwheel spring	1
-13	0442108-2	Leaf - Tailwheel spring	1
-14	0442109-2	Leaf - Tailwheel spring	1
-15	0542108	Shackle - Spring	1
-16	0442125	Guard - Tailwheel steering chain	1
-17	AN4-21A	Bolt - (Attach shackle)	1
-18	AN365-428	Nut - (Attach shackle)	1
-19	AN3-4A *	Bolt - (Attach channel to bracket)	6
-20	AN365-1032 *	Nut - (Attach channel to bracket)	6
-21	0442006	Tailwheel Assembly - (See figure 30 for breakdown)	1
-22	AN7-10A	Bolt - (Attach tailwheel assembly to springs)	1
-23	AN365-720	Nut - (Attach tailwheel assembly to springs)	1
-24	0442008	Spring and Connector Assembly - Tailwheel (serial 20806 thru 26504)	2

ILLUSTRATED PARTS CATALOG

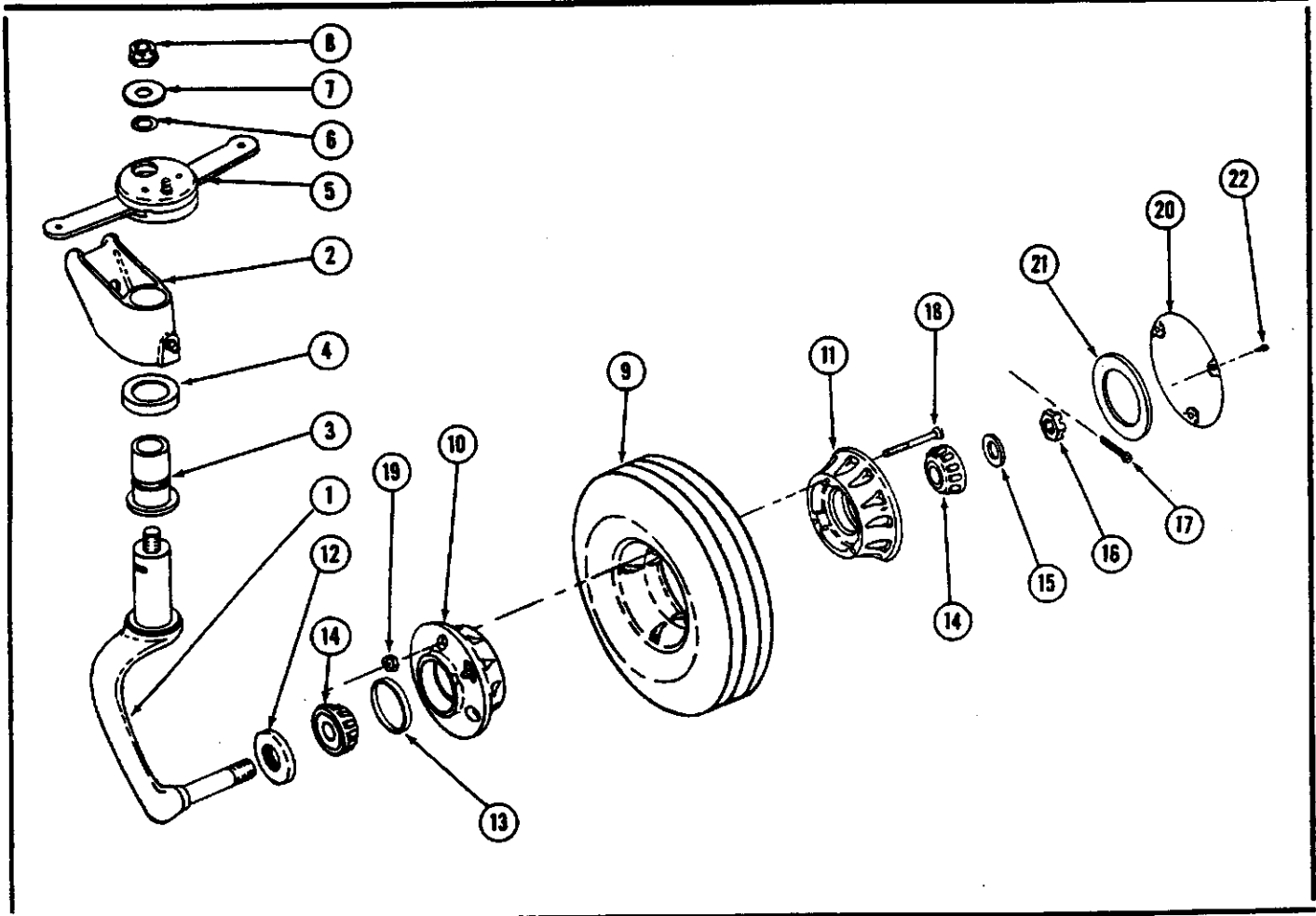


FIGURE 30. TAILWHEEL ASSEMBLY

FIGURE AND INDEX NO.	PARTS NUMBER	DESCRIPTION	UNITS PER ASS'Y
30-	0442006	Tailwheel Assembly - Scott 3-24B (see figure 28 & 29 for NHA)	Ref
-1	0442006-8	Fork - Tailwheel	1
-2	0442006-5	Bracket Assembly - Tailwheel	1
-3	0442006-6	Bushing - Bracket	1
-4	0442006-7	Cap - Bushing	1
-5	0442006-4	Arm Assembly - Tailwheel	1
-6	0442006-3	Shim	AR
-7	0442006-2	Washer	1
-8	AN364-720	Nut - Attach arm assembly	1
	0442006-19	Wheel Assembly	1
-9	0442006-13	Tire - Tailwheel (6 x 2 with wire bead)	1
	0442006-17	Hub Kit	1
-10	0442006-12	Hub	1
-11	0442006-14	Hub - Outer	1
-12	0442006-9	Retainer - Grease	1
-13	0442006-10	Spacer - Grease retainer	1
-14	0442006-11	Bearing - Timken	2
-15	AN960-816	Washer	1
-16	AN320-8	Nut	1
-17	AN380-3-3	Pin - cotter	1
-18	AN501-1032	Screw - Fillister head	3
-19	AN365-1032	Nut - Elastic stop	3
	0442006-18	Fairing Kit	1
-20	0442126	Fairing	1
-21	0442006-15	Retainer - Grease	1
-22	4 x 3/8	Screw - (Attach fairing)	3

ORDER BY PART NUMBER AND NAME SERIAL NUMBER AND COLOR IF APPLICABLE

ILLUSTRATED PARTS CATALOG

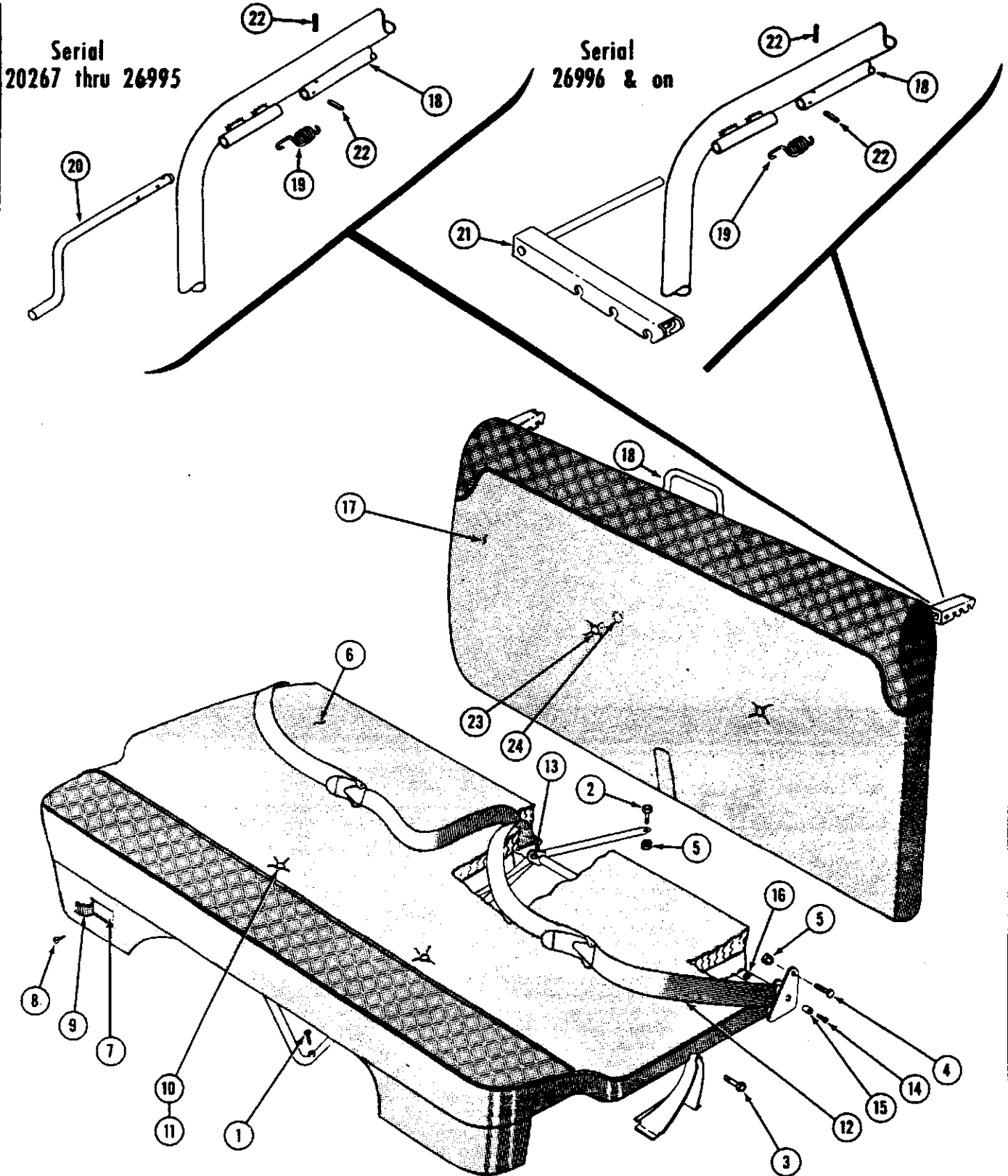


FIGURE 31. REAR SEAT INSTALLATION

ILLUSTRATED PARTS CATALOG

FIGURE AND INDEX NO.	PARTS NUMBER	DESCRIPTION	UNITS PER ASS'Y
31-	No Number	Rear Seat Installation - (See figure 1 for NHA)	Ref
-1	AN3-11A	Bolt - (Attach rear seat at front)	1
-2	AN4-6A	Bolt - (Attach rear seat at rear)	1
-3	AN3-10A	Bolt - (Attach rear seat to brackets)	2
-4	AN4-11A	Bolt - (Attach seat back to seat bottom)	2
-5	AN365-428	Nut - (Attach seat back to seat bottom)	3
	0511108-105	Bottom Assembly - Rear seat (serial 20267 thru 25372)	1
	0500100-44	Bottom Assembly - Rear seat (serial 25373 thru 26038)	1
	0500101-44	Bottom Assembly - Rear seat (serial 26039 thru 26504)	1
	0500102-44	Bottom Assembly - Rear seat (serial 26505 thru 26995)	1
	0500103-74	Bottom Assembly - Rear seat (serial 26996 & on)	1
-6	0511108-97	Cover Assembly - Rear seat bottom (serial 20267 thru 25372)	1
	0500100-109	Cover Assembly - Rear seat bottom (serial 25373 thru 26038)	1
	0500101-109	Cover Assembly - Rear seat bottom (serial 26039 thru 26504)	1
	0500102-109	Cover Assembly - Rear seat bottom (serial 26505 thru 26995)	1
	0500103-73	Cover Assembly - Rear seat bottom (serial 26996 & on)	1
-7	0511174-1	Retainer - Rear seat upholstery	1
-8	PK76XZ-6-4	Screw - (Attach retainer)	5
-9	0511108-80	Cover - Retainer (serial 20267 thru 25372)	2
	0500100-104	Cover - Retainer (serial 25373 thru 26038)	1
	0500101-104	Cover - Retainer (serial 26039 thru 26504)	1
	0500102-104	Cover - Retainer (serial 26505 thru 26995)	1
-10	0511108-92	Button - Pearl tufting (serial 20267 thru 25372)	4
-11	7283	Button - Tufting (serial 20267 thru 25372)	4
-12	0311710	Belt - Rear seat safety (serial 20267 thru 25372)	2
	0311710-6	Belt - Rear seat safety (serial 25373 thru 26995)	2
	0311710-8	Belt - Rear seat safety (serial 26996 & on)	2
-13	AN4-11A	Bolt - (Attach safety belts inboard)	1
	NAS43-4-47	Spacer - (Attach safety belts inboard)	1
	AN365-428	Nut - (Attach safety belts inboard)	1
-14	AN4-6A	Bolt - (Attach safety belts outboard)	2
-15	NAS43-4-20	Spacer - (Attach safety belts outboard)	2
-16	AN364-428	Nut - (Attach safety belts outboard)	2
	0511108-106	Back Assembly - Rear seat (serial 20267 thru 25372)	1
	0500100-45	Back Assembly - Rear seat (serial 25373 thru 26038)	1
	0500101-45	Back Assembly - Rear seat (serial 26039 thru 26504)	1
	0500102-45	Back Assembly - Rear seat (serial 26505 thru 26995)	1
	0500103-70	Back Assembly - Rear seat (serial 26996 & on)	1
-17	0511108-93	Cover Assembly - Rear seat back (serial 20267 thru 25372)	1
	0500100-108	Cover Assembly - Rear seat back (serial 25373 thru 26038)	1
	0500101-108	Cover Assembly - Rear seat back (serial 26039 thru 26504)	1
	0500102-108	Cover Assembly - Rear seat back (serial 26505 thru 26995)	1
	0500103-69	Cover Assembly - Rear seat back (serial 26996 & on)	1
-18	0511108-22	Latch - Seat back (serial 20267 thru 26995)	1
	0411623-1	Latch - Seat back (serial 26996 & on)	1
-19	0411333	Spring - Latch left	1
	0411333-1	Spring - Latch right	1
-20	0411629	Arm - Seat back latch	2
-21	0511284-3	Latch Assembly - Rear seat (serial 26996 & on)	1
	0511284-4	Latch Assembly - Rear seat (serial 26996 & on)	1
-22	59-022-044-37S	Roll Pin - (Attach arm) (Elastic Stop Nut Corp. of America)	4
-23	0511108-92	Button - Pearl tufting (serial 20267 thru 25372)	4
-24	7283	Button - Tufting (serial 20267 thru 25372)	4

ILLUSTRATED PARTS CATALOG

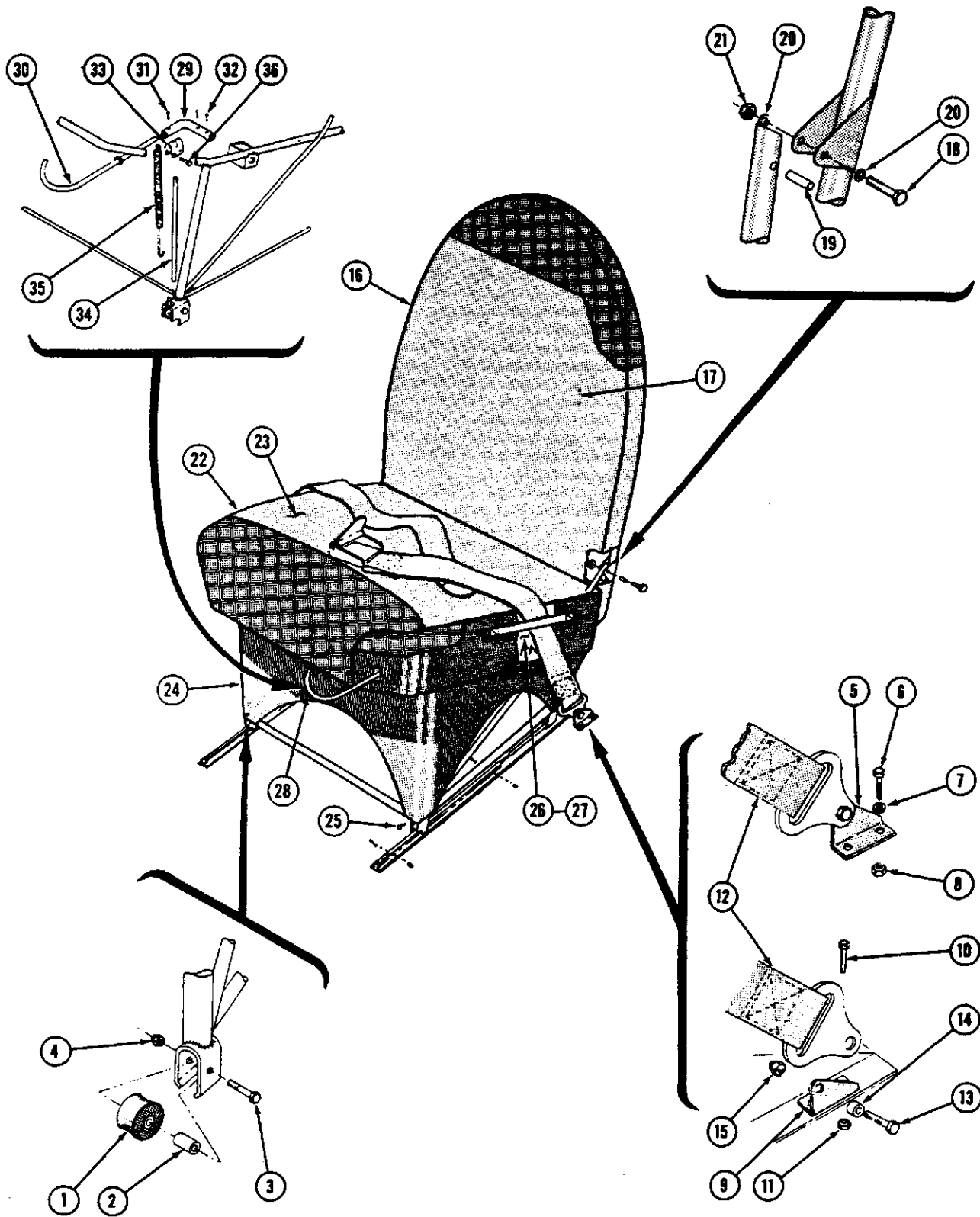


FIGURE 32. FRONT SEAT INSTALLATION

ILLUSTRATED PARTS CATALOG

FIGURE AND INDEX NO.	PARTS NUMBER	DESCRIPTION	UNITS PER ASSY
32-	No Number	Seat Installation - Front (see figure 1 for NHA)	Ref
-1	0311310	Roller - Seat	4
-2	0311586	Bushing - Seat roller	4
-3	AN3-11A	Bolt - (Attach roller)	4
-4	AN365-1032	Nut - (Attach roller)	4
-5	0511301-19	Bracket - Safety belt attachment left	1
-6	AN3-5A	Bolt - (Attach bracket) (serial 20267 thru 26995)	2
	AN3-4A	Bolt - (Attach bracket) (serial 26996 & on)	2
-7	AN960-10	Washer - (Attach bracket)	2
-8	AN365-1032	Nut - (Attach bracket)	2
-9	0511301-18	Bracket - Safety belt attachment right	1
-10	AN3-4A	Bolt - (Attach bracket)	2
-11	AN365-1032	Nut - (Attach bracket)	2
-12	0311710-7	Belt Assembly - Safety (serial 20267 thru 26995)	1
	0311710-9	Belt Assembly - Safety (serial 26996 & on)	1
-13	AN4-6A	Bolt - (Attaching safety belt)	2
-14	NAS43-4-20	Spacer - (Attach safety belt)	2
-15	AN365-428	Nut - (Attach safety belt)	2
-16	0511301-142	Seat Assembly - Front (serial 20267 thru 25372)	1
	0500100-43	Seat Assembly - Front (serial 25373 thru 26038)	1
	0500101-43	Seat Assembly - Front (serial 26039 thru 26504)	1
	0500102-43	Seat Assembly - Front LH (serial 26505 thru 26995)	1
	0500102-188	Seat Assembly - Front RH (serial 26505 thru 26995)	1
	0500103-96	Seat Assembly - Front RH (serial 26996 & on)	1
	0500103-97	Seat Assembly - Front LH (serial 26996 & on)	1
	0511301-168	Back Assembly - Front seat upholstered (serial 20267 thru 25372)	1
	0500100-40	Back Assembly - Front seat upholstered (serial 25373 thru 26038)	1
	0500101-40	Back Assembly - Front seat upholstered (serial 26039 thru 26504)	1
	0500102-40	Back Assembly - Front seat upholstered LH (serial 26505 thru 26995)	1
	0500102-42	Back Assembly - Front seat upholstered RH (serial 26505 thru 26995)	1
	0500103-56	Back Assembly - Front seat RH (serial 26996 & on)	1
	0500103-57	Back Assembly - Front seat LH (serial 26996 & on)	1
-17	0511301-121	Cover Assembly - Front seat back (serial 20267 thru 25372)	1
	0500100-131	Cover Assembly - Front seat back (serial 25373 thru 26038)	1
	0500101-131	Cover Assembly - Front seat back (serial 26038 thru 26504)	1
	0500102-131	Cover Assembly - Front seat back LH (serial 26505 thru 26995)	1
	0500102-190	Cover Assembly - Front seat back RH (serial 26505 thru 26995)	1
	0500103-89	Cover Assembly - Front seat back LH (serial 26996 & on)	1
	0500103-88	Cover Assembly - Front seat back RH (serial 26996 & on)	1
-18	AN3-5A	Bolt - (Attach seat back to seat bottom) (serial 20267 thru 25952)	2
	AN4-12A	Bolt - (Attach seat back to seat bottom) (serial 25953 & on)	2
-19	0511301-20	Bushing - (Serial 20267 thru 25952)	2
	0500103-84	Bushing - Hinge joint (serial 26996 & on)	2
-20	AN960-10	Washer - (Serial 20267 thru 25952)	4
-21	AN365-1032	Nut - (Attach seat back to seat bottom) (serial 20267 thru 25952)	2
	AN365-428	Nut - (Attach seat back to seat bottom) (serial 25953 & on)	2
-22	0511301-138	Bottom Assembly - Front seat upholstered (serial 20267 thru 25978*)	1
	0500100-130	Bottom Assembly - Front seat upholstered (serial 25979 thru 26038)	1
	0500101-130	Bottom Assembly - Front seat upholstered (serial 26038 thru 26504)	1
	0500102-130	Bottom Assembly - Front seat upholstered (serial 26505 thru 26995)	1
	0500103-80	Cushion Assembly (serial 26996 & on)	1
-23	0511301-131	Cover Assembly - Front seat bottom (serial 20267 thru 25372)	1
	0500100-139	Cover Assembly - Front seat bottom (serial 25373 thru 26038)	1
	0500101-139	Cover Assembly - Front seat bottom (serial 26039 thru 26504)	1
	0500102-139	Cover Assembly - Front seat bottom (serial 26505 thru 26995)	1
	0500103-95	Cover Assembly - Front seat bottom (serial 26996 & on)	1
-24	0511173	Skirt - Front seat	1
-25	PK76XZ-6-4	Screw - (Attach skirt)	4
-26	0511172	Retainer - Seat bottom upholstered	1
-27	PK76XZ-6-4	Screw - (Attach retainer)	11
-28	0511301-166	Handle Assembly - Front seat adjustment	1
-29	0511184	Attachment - Seat handle	1
-30	0511301-120	Handle - Front seat adjustment	1
-31	AN380-4-3	Pin - Cotter (connect shaft and handle)	1
-32	AN380-4-3	Pin - Cotter (attach shaft to seat frame)	2
-33	0311644	Clevis - Front seat adjustment	1
-34	0311311-1	Rod - Front seat adjustment	1
-35	0310196-2	Spring - Coil	1
-36	AN392-15	Pin - Clevis (attach spring)	1

* On airplanes serial 25949 thru 25978 if seat bottom is required, a complete seat must be ordered.

ILLUSTRATED PARTS CATALOG

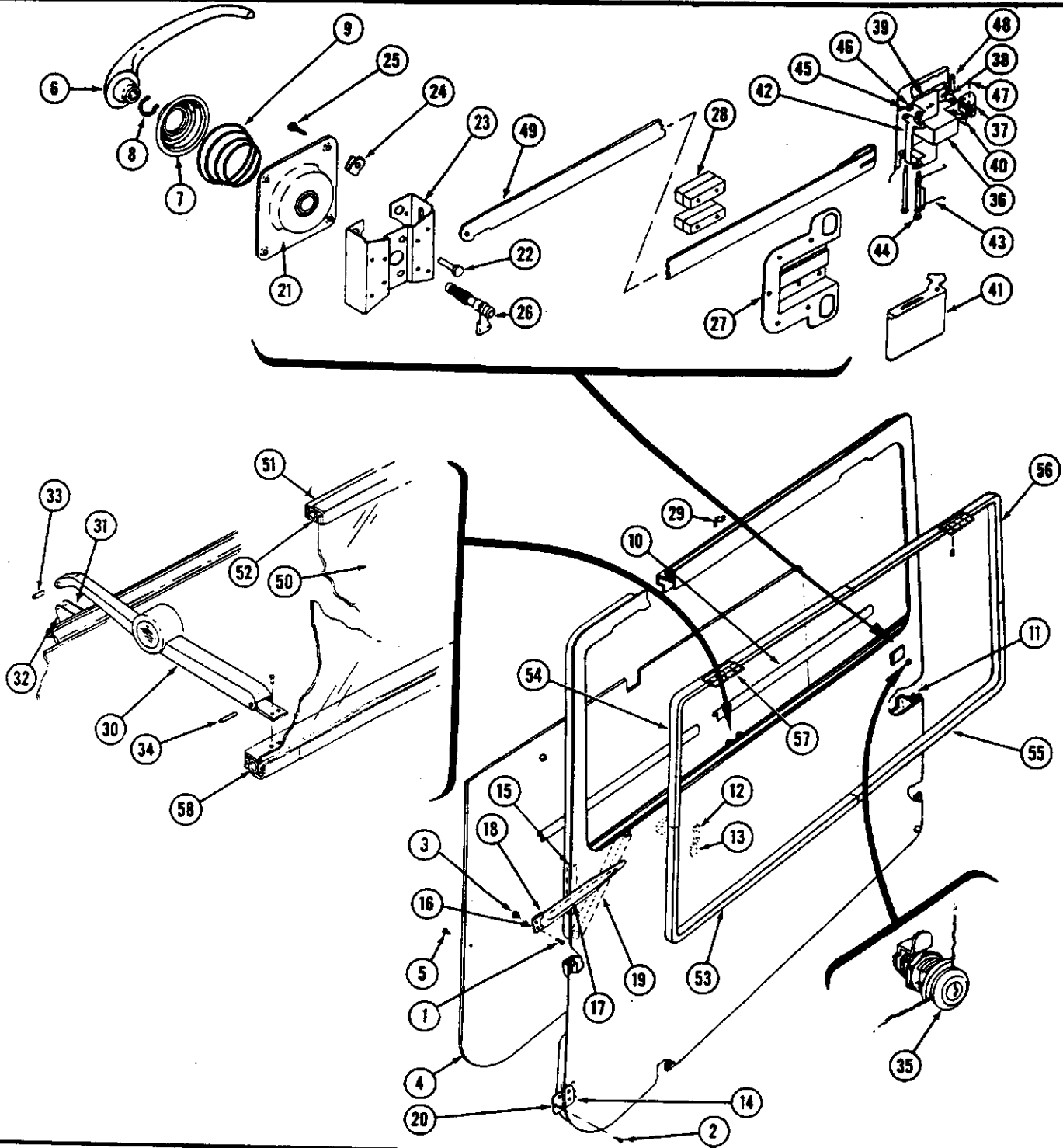


FIGURE 33. LEFT DOOR INSTALLATION

FIGURE AND INDEX NO.	PARTS NUMBER	DESCRIPTION	UNITS PER ASS'Y
33-	No Number	Cabin Door Installation - Left (0511106 Ref)(see figure 1 for NHA)	Ref
-1	AN507-1032R8	. Screw - (Attach upper door hinge to fuselage)	2
-2	AN365-1032R9	. Screw - (Attach lower door hinge to fuselage)	2
-3	AN365-1032	. Nut - (Attach door hinge)	4
	0511106-136	. Cabin Door Assembly - Left (serial 20267 thru 25372)	1
	0511106-143	. Cabin Door Assembly - Left (serial 25373 thru 26038)	1

ORDER BY PART NUMBER AND NAME SERIAL NUMBER AND COLOR IF APPLICABLE

ILLUSTRATED PARTS CATALOG

FIGURE AND INDEX NO.	PARTS NUMBER	DESCRIPTION	UNITS PER ASSY
33-	0511106-139	Cabin Door Assembly - Left (serial 26039 thru 26504)	1
	0511106-141	Cabin Door Assembly - Left (serial 26505 & on)	1
-4	0511106-119	Panel Assembly - Upholstery (serial 20267 thru 25372)	1
	0500100-9	Panel Assembly - Upholstery (serial 25373 thru 26038)	1
	0500101-9	Panel Assembly - Upholstery (serial 26039 thru 26504)	1
	0500102-9	Panel Assembly - Upholstery (serial 26505 thru 26995)	1
	0500103-51	Panel Assembly - Upholstery (serial 26995 & on)	1
-5	#807	Fastener - Upholstery panel (AU-VE-CO)	13
-6	0511183	Handle - Inside door (serial 20267 thru 26038)	1
	0511189	Handle - Inside door (serial 26039 & on)	1
-7	0511181	Escutcheon - Door handle (serial 20267 thru 26038)	1
	0511189-2	Escutcheon - Door handle (serial 26039 & on)	1
-8	0511182	Clip - Door handle retaining (serial 20267 thru 26038)	1
	0511189-1	Clip - Door handle retaining (serial 26039 & on)	1
-9	0413317-1	Spring - (Between door and upholstery)(serial 26039 & on)	1
	0511106-98	Structure Assembly - Cabin door left	1
-10	0511106-38	Channel - Upholstery retainer	2
-11	0711010-1	Weatherstrip - Cabin door	1
-12	0511106-37	Clip - Upholstery retainer	2
-13	PK76XZ-4-4	Screw - (Attach clips)	4
-14	0511106-36	Reinforcement - Door Hinge	1
-15	0511106-40	Angle - Door reinforcement	1
	0511106-106	Hinge Assembly - Upper door	1
	0511106-14	Hinge Half - Upper door	1
-17	0511106-18	Hinge Half - Upper door	1
-18	0711001-59	Pin - Upper hinge	1
-19	0511106-22	Bracket - Lower hinge	1
-20	0411579-4	Hinge - Lower door (serial 20267 thru 26995)	1
-21	0413195-3	Plate Assembly - Door handle bearing	1
-22	AN394-27	Pin - Clevis (latch stop)	1
-23	0511106-137	Bracket Assembly - Inner door handle	1
-24	NAS395-16-3	Nut - (Tinnerman A1789-8Z-3)	4
-25	PK79XZ-8-8	Screw - (Attach bracket)	4
-26	0511227	Shaft - Door handle	1
-27	0411576	Pan - Door latch	1
-28	0411886	Spacer - Door latch pan	4
-29	A1663-.017-1	Latch - Door stop	1
-30	0413362-2	Latch Assembly - Window (serial 20267 thru 25372)	1
	0413362-3	Latch Assembly - Window (serial 25373 & on)	1
-31	0413366	Bracket - Window latch	1
-32	0413366-1	Bracket - Window latch	1
-33	0413148	Rivet - Window latch	1
-34	0452120	Pin - Window latch	1
-35	0413323-1	Lock Assembly - Door	1
	0511112-11	Latch Assembly - Door	1
-36	0511112-2	Housing - Door latch	1
-37	0411552	Catch - Door latch	1
-38	0411554	Spring - Door latch	1
-39	0511112-9	Bracket Assembly - Door latch	1
-40	0411555	Pull Bar - Door latch	1
-41	0411557	Handle - Door latch	1
-42	0411559	Spacer - Door latch	1
-43	0511119	Spring - Door handle return	1
-44	AN392-53	Pin - Latch pivot	2
-45	AN380-2-2	Pin - Cotter	2
-46	AN960-4	Washer	3
-47	NAS41-2-.500	Shaft - Catch stop	1
-48	NAS41-3-1	Shaft - Catch actuating	1
-49	0411575-6	Strap - Door latch	1
	NAS43-DD-3-27	Spacer	2
	0511106-50	Window Assembly - Left door	1
-50	0511106-104	Glass Assembly - Window	1
-51	0511106-103	Seal - Window glass	1
-52	0511106-53	Frame Assembly - Window	1
-53	0511106-10	Angle - Window frame (lower forward)	1
-54	0511106-31	Angle - Window frame (upper forward)	1
-55	0511106-33	Angle - Window frame (lower rear)	1
-56	0511106-34	Angle - Window frame (upper rear)	1
-57	0411185	Hinge - Window (serial 20267 thru 26215)	2
	0411185-7	Hinge - Window (serial 26216 & on)	2
-58	0511106-105	Seal - Window	1

ILLUSTRATED PARTS CATALOG

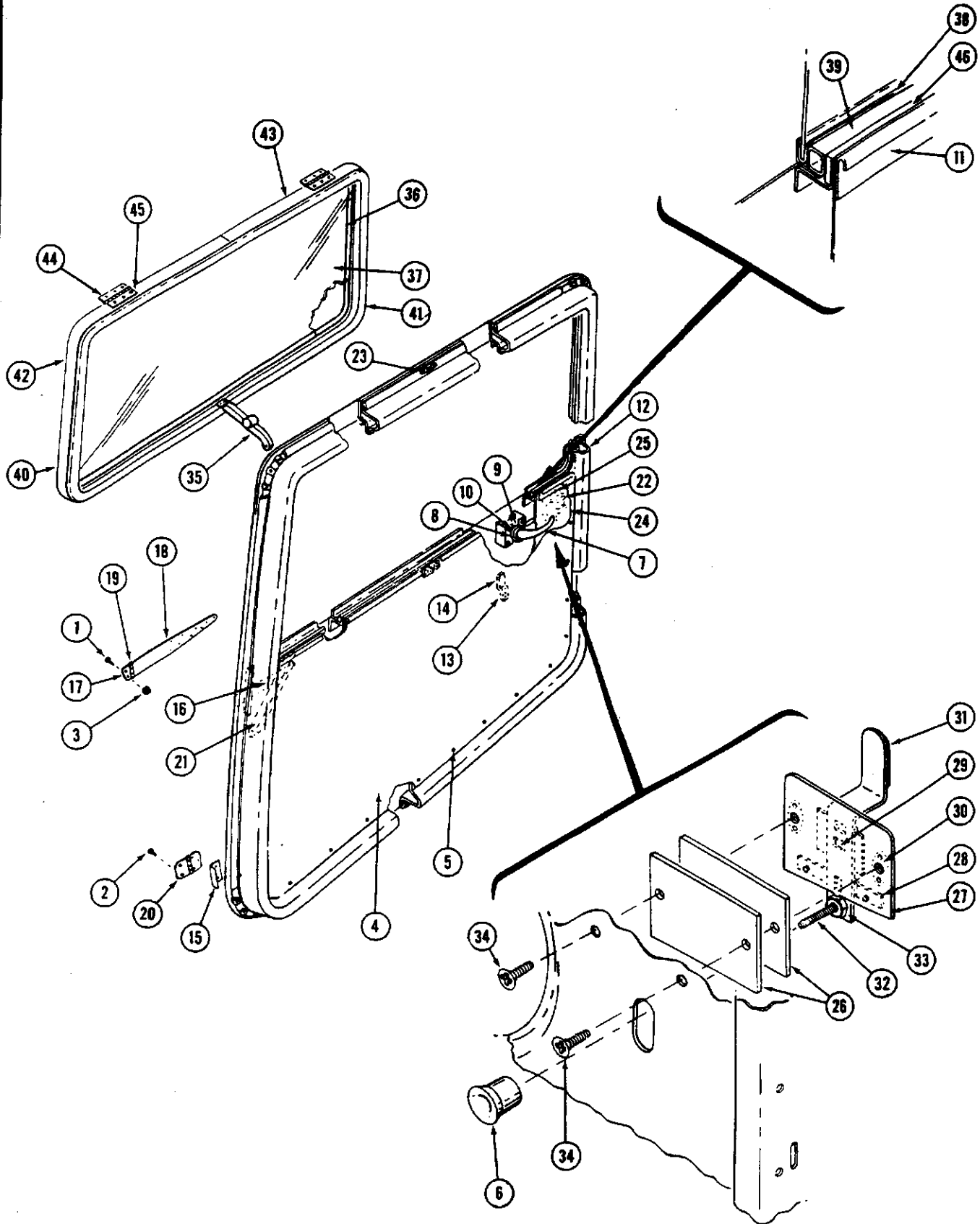


FIGURE 34. RIGHT DOOR INSTALLATION (SERIAL 20267 THRU 26995)

ILLUSTRATED PARTS CATALOG

FIGURE AND INDEX NO.	PARTS NUMBER	DESCRIPTION	UNITS PER ASS'Y
34-	No Number	Cabin Door Installation - Right (0511106 Ref) (see figure 1 for NHA) (serial 20267 thru 26995)	Ref
-1	AN507-1032R8	Screw - (Attach upper hinge)	2
-2	AN526-1032R9	Screw - (Attach lower hinge)	2
-3	AN365-1032	Nut - (Attach door hinge)	4
	0511106-91	Cabin Door Assembly - Right (serial 20267 thru 25372)	1
	0511106-142	Cabin Door Assembly - Right (serial 25373 thru 26038)	1
	0511106-138	Cabin Door Assembly - Right (serial 26039 thru 26504)	1
	0511106-140	Cabin Door Assembly - Right (serial 26505 thru 26995)	1
-4	0511106-120	Panel Assembly - Upholstery (serial 20267 thru 25372)	1
	0500100-10	Panel Assembly - Upholstery (serial 25373 thru 26038)	1
	0500101-10	Panel Assembly - Upholstery (serial 26039 thru 26504)	1
	0500102-10	Panel Assembly - Upholstery (serial 26505 thru 26995)	1
-5	#807	Fastener - Upholstery panel (AU-VE-CO)	13
-6	0411092	Knob - Thumb latch (serial 20267 thru 25372)	1
	0411092-1	Knob - Thumb latch (serial 25373 thru 26995)	1
-7	0511183	Handle - Inside door (see figure 33-6)(serial 20267 thru 26038)	1
	0511189	Handle - Inside door (see figure 33-6)(serial 26039 thru 26995)	1
-8	0511181	Escutcheon - Door handle (see figure 33-7)(serial 20267 thru 26038)	1
	0511189-2	Escutcheon - Door handle (see figure 33-7)(serial 26039 thru 26995)	1
-9	0511182	Clip - Door handle retaining (see figure 33-8)(serial 20267 thru 26038)	1
	0511189-1	Clip - Door handle retaining (see figure 33-8)(serial 26039 thru 26995)	1
-10	0413317-1	Spring - (Between door & upholstery)(serial 26039 thru 26995)	1
	0511106-97	Structure Assembly - Cabin door right	1
-11	0511106-38	Channel - Upholstery retainer	2
-12	0711010-1	Weatherstrip - Cabin door	1
-13	0511106-37	Clip - Upholstery retainer	2
-14	PK76XZ-4-4	Screw - (Attach clips)	4
-15	0511106-36	Reinforcement - Door hinge	1
-16	0511106-40	Angle - Door reinforcement	1
	0511106-107	Hinge Assembly - Upper right door	1
-17	0511106-15	Hinge Half - Upper door	1
-18	0511106-19	Hinge Half - Upper door	1
-19	0711001-59	Pin - Upper hinge	1
-20	0411579-4	Hinge Assembly - Lower right door	1
-21	0511106-23	Bracket - Lower hinge	1
	0411576	Pan - Door latch (see figure 33-27)	1
	0511227-1	Shaft - Door handle (see figure 33-26)	1
-22	0411886	Spacer - Door latch pan	4
-23	A1663-.017-1	Latch - Door stop	1
	0413195-3	Plate Assembly - Door handle bearing (see figure 33-21)	1
	0511106-137	Bracket Assembly - Inner door handle (see figure 33-23)	1
	AN394-27	Pin - Clevis (latch stop)(see figure 33-22)	1
	NAS395-16-3	Nut - (Tinnerman A1789-8Z-3)(see figure 33-24)	4
	PK79XZ-8-8	Screw - (Attach bracket)	4
-24	0511112-11	Latch Assembly - Door (see figure 33 for breakdown)	1
-25	CR163-4-2	Rivet - (Attach latch to door)	8
-26	0511106-109	Doubler - Thumb latch	2
	0411590-1	Latch Assembly - Thumb	1
-27	0411665	Housing - Thumb latch	1
-28	0411590-3	Bracket - Thumb latch	1
-29	0411591	Spring - Thumb latch	1
-30	NAS444-4-3	Nut - (Tinnerman A6191-8Z-3)(Attach thumb latch)	2
-31	0411592-1	Bolt - Door latch	1
-32	AN526-832R12	Screw - (Attach knob to bolt)	1
-33	AN364-832	Nut - (Attach knob to bolt)	1
-34	PK76XZ-8-8	Screw - (Attach knob to assembly)	2
-35	0413362-3	Latch Assembly - Window (see figure 33 for breakdown)	1
-36	0511106-51	Window Assembly - Right door	1
-37	0511106-104	Glass Assembly - Window	1
-38	0511106-103	Seal - Window glass	1
-39	0511106-54	Frame Assembly - Window	1
-40	0511106-11	Angle - Window frame (lower forward)	1
-41	0511106-34	Angle - Window frame (lower rear)	1
-42	0511106-32	Angle - Window frame (upper forward)	1
-43	0511106-33	Angle - Window frame (upper rear)	1
-44	0411185	Hinge - Window (serial 20267 thru 26215)	2
	0411185-7	Hinge - Window (serial 26216 thru 26995)	2
-45	CR163-4-4	Rivet - (Attach hinge and window frame angles)	8
-46	0511106-105	Seal - Window	1

ILLUSTRATED PARTS CATALOG

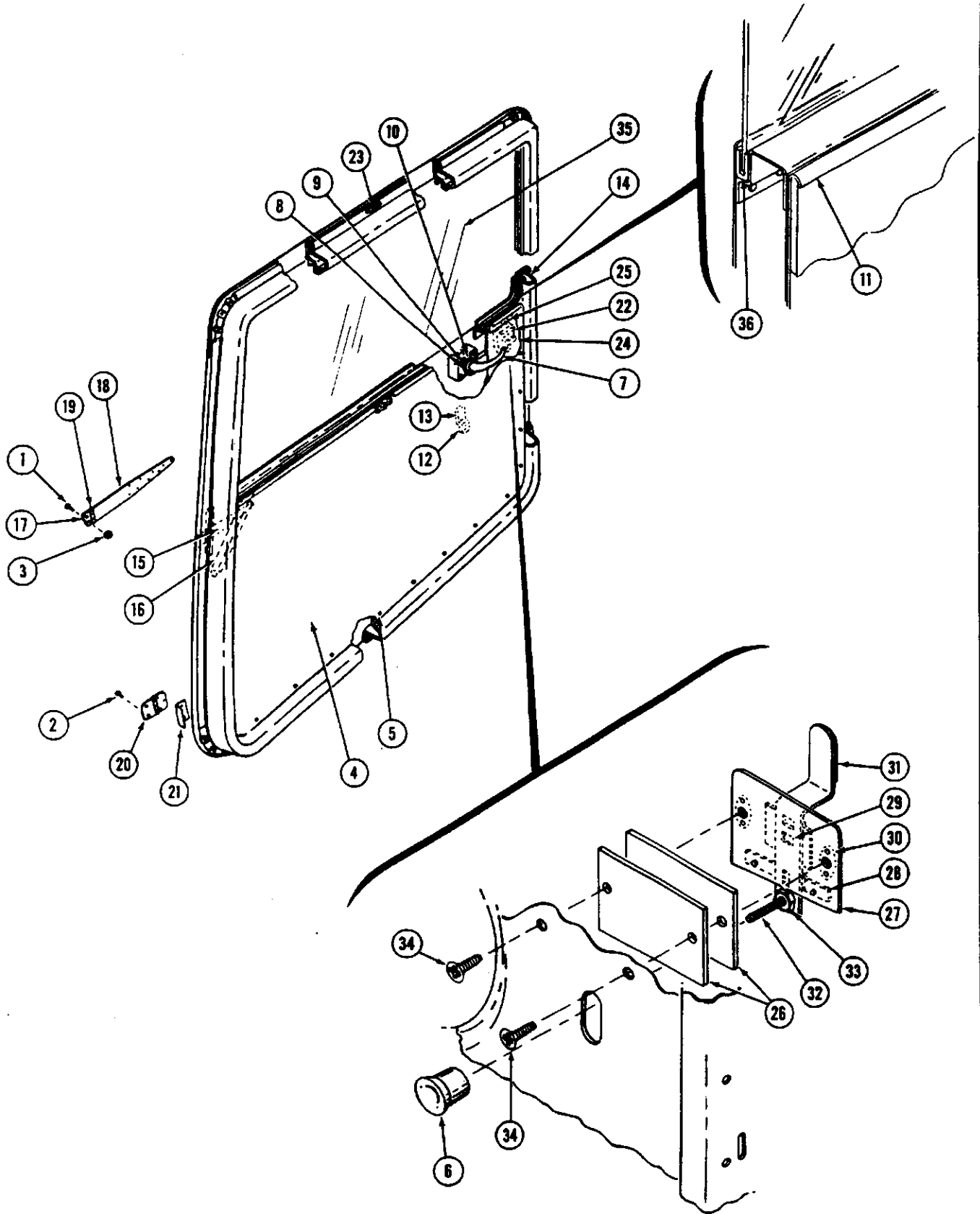


FIGURE 34A. RIGHT DOOR INSTALLATION (SERIAL 26996 AND ON)

ILLUSTRATED PARTS CATALOG

FIGURE AND INDEX NO.	PARTS NUMBER	DESCRIPTION	UNITS PER ASSY
34A-	No Number	Cabin Door Installation - Right (0511106 Ref.) (see figure 1 for NHA)(serials 26996 & on).	Ref
-1	AN507-1032R8	Screw - (Attach upper hinges)	2
-2	AN526-1032R9	Screw - (Attach lower hinge)	2
-3	AN365-1032	Nut - (Attach hinges)	4
	0511106-151	Cabin Door Assembly - Right	1
-4	0500103-52	Panel Assembly - Upholstery	1
-5	#807	Fastener - Upholstery panel (AU-VE-CO)	13
-6	0411092-1	Knob - Thumb latch	1
-7	0511189	Handle - Inside door (see figure 33-6)	1
-8	0511189-2	Escutcheon - Door handle (see figure 33-7)	1
-9	0511189-1	Clip - Door handle retaining (see figure 33-8)	1
-10	0413317-1	Spring - (Between door & upholstery)	1
	0511106-158	Structure Assembly - Cabin door right	1
-11	0511106-150	Retainer - Upholstery	1
-12	0511106-37	Clip - Upholstery	2
-13	PK76XZ-4-4	Screw - (Attach clips)	4
-14	0711013	Weatherstrip	1
-15	0511106-36	Reinforcement - Door hinge	1
-16	0511106-40	Angle - Door reinforcement	1
	0511280-2	Hinge Assembly - Upper right door	1
-17	0511237-2	Hinge Half Assembly	1
-18	0511238-2	Hinge Half Assembly	1
-19	0711001-59	Pin - (Peen both ends)	1
-20	0511280-4	Hinge Assembly - Lower right door	1
-21	0511106-23	Bracket - Lower hinge	1
	0411576	Pan - Door latch (see figure 33-27)	1
	0511227-1	Shaft - Door handle (see figure 33-26)	1
-22	0411888	Spacer - Door latch pan	4
-23	A1663-028-1	Latch - Door stop	1
	0413195-3	Plate Assembly - Door handle bearing (see figure 33-21)	1
	0511106-137	Bracket Assembly - Inner door handle (see figure 33-23)	1
	AN394-27	Pin - Clevis (latch stop) (see figure 33-22)	1
	NAS395-16-3	Nut - (Tinnerman A1789-8Z-3) (see figure 33-24)	4
	PK79XZ-8-8	Screw - (Attach bracket)	4
-24	0511112-11	Latch Assembly - Door (see figure 33 for breakdown)	1
-25	CR163-4-2	Rivet - (Attach latch to door)	8
-26	0511106-109	Doubler - Thumb latch	2
	0411590-1	Latch Assembly - Thumb	1
-27	0411665	Housing - Thumb latch	1
-28	0411590-3	Bracket - Thumb latch	1
-29	0411591	Spring - Thumb latch	1
-30	NAS444-4-3	Nut - (Tinnerman A6191-8Z-3) (attach thumb latch)	2
-31	0411592-1	Bolt - Door latch	1
-32	AN526-832R12	Screw - (Attach knob to bolt)	1
-33	AN365-832	Nut - (Attach knob to bolt)	1
-34	PK76XZ-8-8	Screw - (Attach latch assembly)	2
-35	0511106-3	Glass Assembly - Window	1
-36	0511106-103	Seal - Window glass	1

ILLUSTRATED PARTS CATALOG

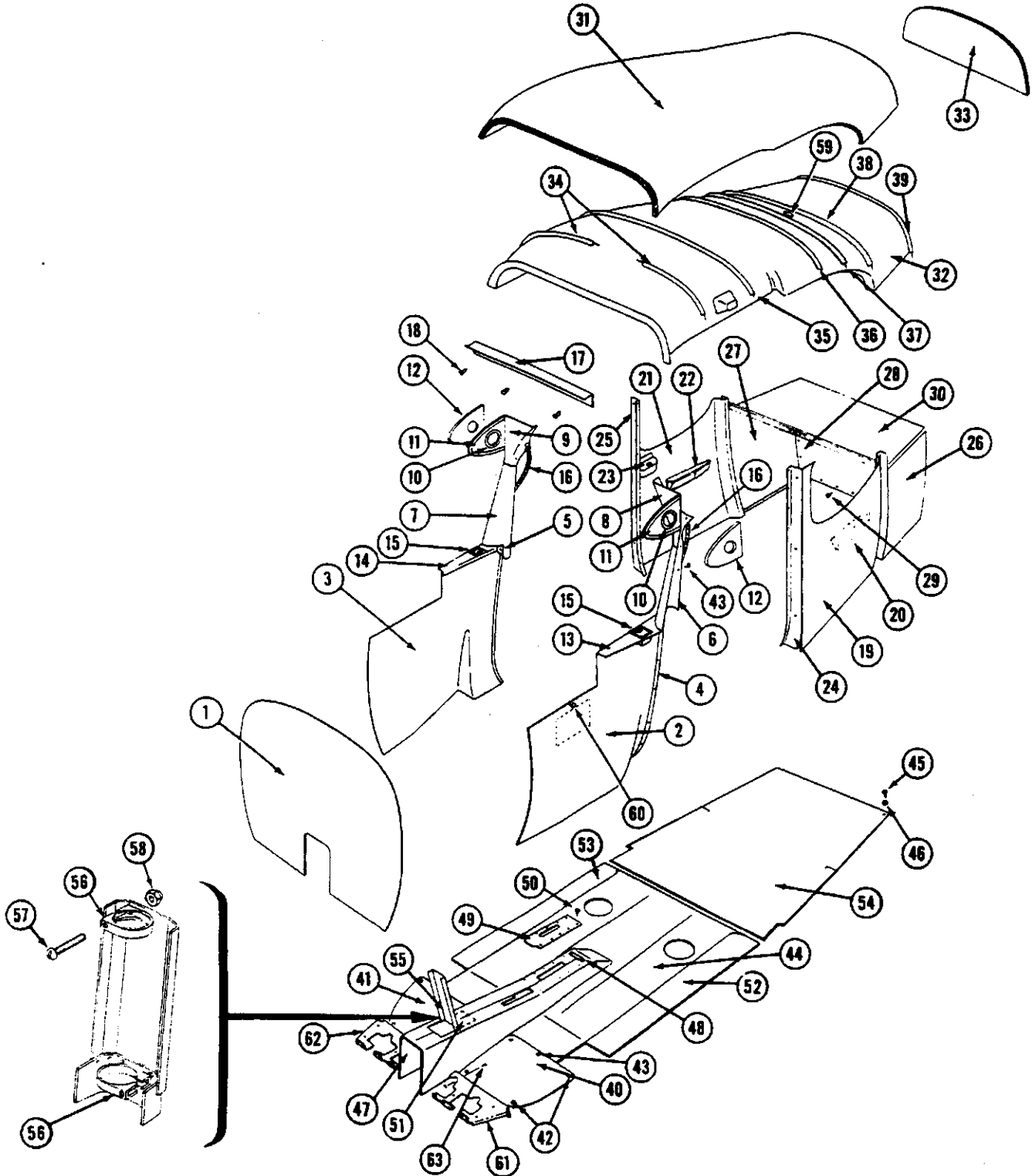


FIGURE 35. UPHOLSTERY INSTALLATION (SERIALS 20267 THRU 25372)

ILLUSTRATED PARTS CATALOG

FIGURE AND INDEX NO.	PARTS NUMBER	DESCRIPTION	UNITS PER ASSY
		Upholstery Installation (serials 20267 thru 25372) (0511001 Ref) (see figure 1 for NHA)	Ref
35-	No Number		1
-1	0511001-8	Panel Assembly - Firewall	1
-2	0511001-164	Panel Assembly - Left sidewall front	1
-3	0511001-165	Panel Assembly - Right sidewall front	2
-4	0411730	Channel - Upholstery retainer	10
	PK88XA-4-6	Screw - (Attach retainers)	10
	#600	Washer - Finishing	2
-5	0511152	Fairing - Corner	2
	PK76XZ-4-6	Screw - (Attach fairing)	1
-6	0511137	Cover - Left door post	1
-7	0511137-1	Cover - Right door post	1
-8	0511169	Shield Assembly - Left door post upper	1
-9	0511169-1	Shield Assembly - Right door post upper	1
-10	0413235	Grommet - Shield	1
-11	0411875-7	Moulding - Windshield	2
-12	0511001-133	Soundproofing - Shield	1
-13	0511136	Fairing Assembly - L. H. ash receiver	1
-14	0511136	Fairing Assembly - R. H. ash receiver	1
-15	0413120	Receiver - Ash	4
	PK76XZ-6-6	Screw - (Attach fairing)	2
-16	0511001-129	Strap - Assist	4
	T-5/8	Screw - (Attach assist straps) (AU-VE-CO)	1
-17	0511130	Shield - Front spar trim	3
-18	#49285	Fastener - United Carr (attach front spar trim)	1
-19	0511001-140	Panel Assembly - Left aft	1
-20	0511001-171	Arm Rest Assembly - L. H.	1
-21	0511001-141	Panel Assembly - Right aft	1
-22	0511001-172	Arm Rest Assembly - R. H.	6
	PK76XZ-8-8	Screw - (Attach arm rest)	6
	NAS395-12-3	Nut - (Tinnerman #A1786-8Z-3) (attach arm rest)	2
-23	#C-6861	Receiver - Ash (Grand Rapids Metal Craft Co)	4
	PK76XZ-8-8	Screw - (Attach ash receiver)	4
	NAS395-12-3	Nut - (Tinnerman #A1786-8Z-3) (attach ash receiver)	1
-24	0511177	Fairing - L. H. rear door	1
-25	0511177-1	Fairing - R. H. rear door post	16
	PK76XZ-6-6	Screw - (Attach fairing)	1
-26	0511001-12	Panel Assembly - Baggage compartment L. H. (serial 20267 thru 25372)	1
	0500100-3	Panel Assembly - Baggage compartment L. H. (serial 20525 & on)	1
-27	0511001-13	Panel Assembly - Baggage compartment R. H. (serial 20267 thru 25372)	1
	0500100-4	Panel Assembly - Baggage compartment R. H. (serial 20525 & on)	1
-28	0511001-11	Panel Assembly - Baggage compartment rear (serial 20267 thru 25372)	1
	0500100-2	Panel Assembly - Baggage compartment rear (serial 20525 & on)	18
-29	#49625	Fastener - United Carr (attach rear baggage panel)	1
-30	0513013	Shelf Assembly - Baggage	10
	PK76XZ-4-4	Screw - (Attach baggage shelf)	1
-31	0511001-186	Panel Assembly - Cabin top soundproof	1
-32	0511001-145	Headliner Assembly	1
-33	0500100-15	Panel Assembly - Cabin rear upper soundproof	2
-34	0511001-22	Wire - Headliner	1
-35	0511001-20	Wire - Headliner	1
-36	0511000-147	Wire - Headliner	1
-37	0511001-148	Wire - Headliner	1
-38	0511001-149	Wire - Headliner	1
-39	0511001-21	Wire - Headliner	1
-40	0511001-16	Kick Plate - Floorboard L. H.	1
-41	0511001-15	Kick Plate - Floorboard R. H.	8
-42	PK76XZ-8-8	Screw - (Attach kick plates)	18
-43	PK86XA-4-6	Screw - Nickel plated	1
-44	0511001-28	Carpet - Cabin floor	13
-45	PK88XA-4-6	Screw - (Attach carpet)	13
-46	#600	Washer - Finishing (attach carpet)	1
-47	0511001-32	Carpet Assembly - Tunnel	1
-48	0511168	Placard - Fuel selector valve	1
-49	0510185	Cover Plate Assembly - Tunnel aft	9
-50	PK76XZ-8-10	Screw - (Attach cover plate)	1
-51	0510141	Cover Plate - Tunnel forward	4
	PK76XZ-8-6	Screw - (Attach cover plate)	1
-52	0511001-30	Carpet - Side strip L. H.	1
-53	0511001-31	Carpet - Side strip R. H.	1
-54	0511001-29	Carpet - Baggage compartment floor	1

ILLUSTRATED PARTS CATALOG

FIGURE AND INDEX NO.	PARTS NUMBER	DESCRIPTION	UNITS PER ASS'Y
35-55	0411298	Shield - Control tee	1
-56	0411840	Clamp - Shield attachment	2
-57	AN526-632R36	Screw - (Attach clamp)	2
-58	AN365-632	Nut - (Attach clamp)	2
-59	0511186	Hook - Coat hanger	1
	0500010-4	Washer	1
-60	0511018	Hook - Earphone	1
	PK76XZ-6-6	Screw - (Attach hook)	2
	NAS446-3-3	Nut - (Attach hook) (Tinnerman A1777-8Z-3)	2
-61	0513014	Shield LH	1
-62	0513015	Shield RH	1
-63	PK76XZ-8-8	Screw - (Attach shield)	16
	A1778-8Z-3	Nut - (Attach shield)	8

BLANK PAGE

ILLUSTRATED PARTS CATALOG

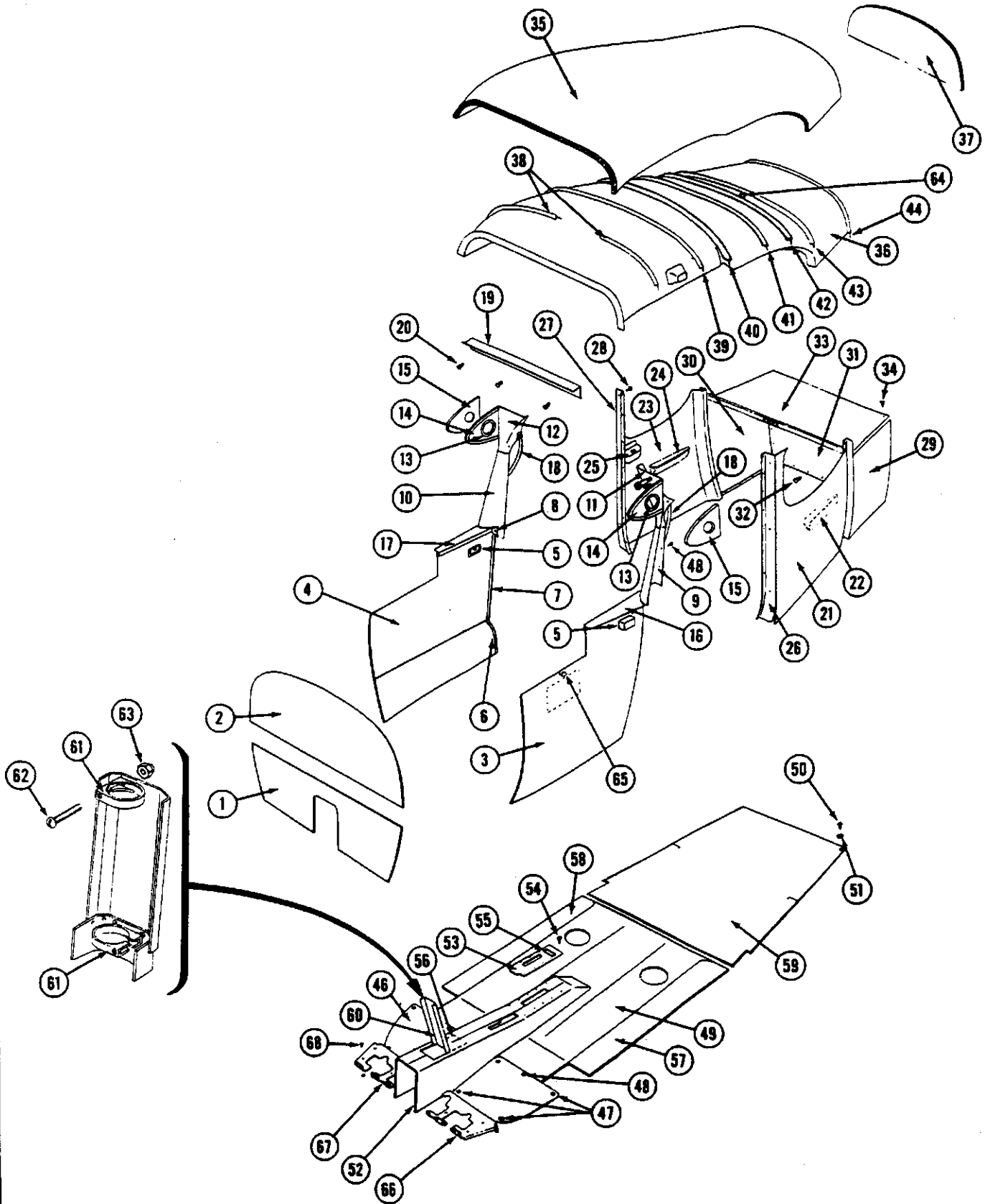


FIGURE 36. UPHOLSTERY INSTALLATION (SERIAL 25373 THRU 26995)

ILLUSTRATED PARTS CATALOG

FIGURE AND INDEX NO.	PARTS NUMBER	DESCRIPTION	UNITS PER ASS'Y
36-	No Number	Upholstery Installation - (Serial 25373 thru 26995) (see figure 1 for NHA)	Ref
-1	0500100-1	Panel Assembly - Firewall lower (serial 25373 thru 26038)	1
	0500101-1	Panel Assembly - Firewall lower (serial 26039 thru 26504)	1
	0500102-1	Panel Assembly - Firewall lower (serial 26505 thru 26995)	1
-2	0500100-79	Panel Assembly - Firewall upper (serial 25373 thru 26038)	1
	0500101-79	Panel Assembly - Firewall upper (serial 26039 thru 26504)	1
	0500102-79	Panel Assembly - Firewall upper (serial 26505 thru 26995)	1
-3	0500100-7	Panel Assembly - Left sidewall front (serial 25373 thru 26038)	1
	0500101-7	Panel Assembly - Left sidewall front (serial 26039 thru 26504)	1
	0500102-7	Panel Assembly - Left sidewall front (serial 26505 thru 26995)	1
-4	0500100-8	Panel Assembly - Right sidewall front (serial 25373 thru 26038)	1
	0500101-8	Panel Assembly - Right sidewall front (serial 26039 thru 26504)	1
	0500102-8	Panel Assembly - Right sidewall front (serial 26505 thru 26995)	1
-5	0411030-4	Ash Receiver	1
	PK76XZ-4-8	Screw - (Attach ash receiver)	2
	NAS446-1	Nut - (Tinnerman A1776-4Z-3)(attach ash receiver)	2
-6	0700100-193	Retainer - Upholstery	1
	PK89XA-4-4	Screw - (Attach retainer)	2
-7	0411730	Channel - Upholstery retainer	2
	PK88XA-4-6	Screw - (Attach retainer)	10
	#600	Washer - Finishing (attach retainer)(AU-VE-CO)	2
-8	0511152	Fairing - Corner	2
	PK76XZ-6-6	Screw - (Attach fairing)	1
-9	0511137-8	Cover - Left door post	1
	0713210-4	Decal - Map light	1
-10	0511137-1	Cover - Right door post	1
-11	0511169-4	Shield Assembly - Left door post upper	1
-12	0511169-1	Shield Assembly - Right door post upper	1
-13	0413235	Grommet - Shield	1
-14	0411875-7	Moulding - Windshield	2
-15	0511001-133	Soundproofing - Shield	1
-16	0500100-11	Fairing Assembly - LH	1
-17	0500100-12	Fairing Assembly - RH	4
	PK76XZ-6-6	Screw - (Attach fairings)	2
-18	0511001-129	Strap - Assist	4
	T-5/8	Screw - (Attach assist straps)(AU-VE-CO)	1
-19	0511130	Shield - Front spar trim	3
-20	#49265	Fastener - United Carr (attach front spar trim)	1
-21	0500100-5	Panel Assembly - Left aft (serial 25373 thru 26038)	1
	0500101-5	Panel Assembly - Left aft (serial 26039 thru 26504)	1
	0500102-5	Panel Assembly - Left aft (serial 26505 thru 26995)	1
-22	0500100-29	Arm Rest Assembly - LH (serial 25373 thru 26038)	1
	0500101-29	Arm Rest Assembly - LH (serial 26039 thru 26504)	1
	0500102-29	Arm Rest Assembly - LH (serial 26505 thru 26995)	1
-23	0500100-6	Panel Assembly - Right aft (serial 25373 thru 26038)	1
	0500101-6	Panel Assembly - Right aft (serial 26039 thru 26504)	1
	0500102-6	Panel Assembly - Right aft (serial 26505 thru 26995)	1
-24	0500100-30	Arm Rest Assembly - RH (serial 25373 thru 26038)	1
	0500101-30	Arm Rest Assembly - RH (serial 26039 thru 26504)	1
	0500102-30	Arm Rest Assembly - RH (serial 26505 thru 26995)	6
	PK76XZ-8-8	Screw - (Attach arm rests)	6
	NAS395-12-3	Nut - (Tinnerman A1786-8Z-3)(attach arm rests)	2
-25	C-6861	Receiver - Ash (Grand Rapids Medal Craft Co.)	4
	PK76XZ-8-8	Screw - (Attach ash receiver)	4
	NAS395-12-3	Nut - (Tinnerman A1786-8Z-3)(Attach ash receiver)	1
-26	0511177	Fairing - LH rear door post	1
-27	0511177-1	Fairing - RH rear door post	16
-28	PK76XZ-6-6	Screw - (Attach fairing)	1
-29	0500100-3	Panel Assembly - Baggage compartment LH (serial 25373 thru 26038)	1
	0500101-3	Panel Assembly - Baggage compartment LH (serial 26039 thru 26504)	1
	0500102-3	Panel Assembly - Baggage compartment LH (serial 26505 thru 26995)	1
-30	0500100-4	Panel Assembly - Baggage compartment RH (serial 25373 thru 26038)	1
	0500101-4	Panel Assembly - Baggage compartment RH (serial 26039 thru 26504)	1
	0500102-4	Panel Assembly - Baggage compartment RH (serial 26505 thru 26995)	1
-31	0700100-2	Panel Assembly - Baggage compartment rear	18
-32	#49265	Fastener - United Carr (attach rear baggage panel)	1
-33	0513013	Shelf Assembly - Baggage	10
-34	PK76XZ-4-4	Screw - (Attach baggage shelf)	1
-35	0511001-186	Panel Assembly - Cabin top soundproof	1
-36	0500100-28	Headliner Assembly (Serial 25373 thru 26038)	1
	0500101-28	Headliner Assembly (Serial 26039 thru 26504)	1

ILLUSTRATED PARTS CATALOG

FIGURE AND INDEX NO.	PARTS NUMBER	DESCRIPTION	UNITS PER ASS'Y
36-	0500102-28	Headliner Assembly (serial 26505 thru 26995)	1
-37	0500100-15	Panel Assembly - Cabin rear upper soundproof (serial 25373 thru 26038)	1
	0500101-15	Panel Assembly - Cabin rear upper soundproof (serial 26039 thru 26504)	1
	0500102-15	Panel Assembly - Cabin rear upper soundproof (serial 26505 thru 26995)	1
-38	0511001-22	Wire - Headliner	2
-39	0511001-20	Wire - Headliner	1
-40	0700100-191	Wire - Headliner	1
-41	0511001-147	Wire - Headliner	1
-42	0511001-148	Wire - Headliner	1
-43	0511001-149	Wire - Headliner	1
-44	0511001-21	Wire - Headliner	1
-45	0500100-173	Kick Plate - Floorboard LH	1
-46	0500100-174	Kick Plate - Floorboard RH	1
-47	PK76XZ-8-8	Screw - (Attach kick plates)	1
-48	PK86XA-4-6	Screw - Nickel plated	8
-49	0500100-27	Carpet - Cabin floor (serial 25373 thru 26038)	1
	0500101-27	Carpet - Cabin floor (serial 26039 thru 26504)	1
	0500102-27	Carpet - Cabin floor (serial 26505 thru 26995)	1
-50	PK88XA-4-6	Screw - (Attach carpet)	13
-51	#600	Washer - Finishing (attach carpet)(AU-VE-CO)	13
-52	0500100-33	Carpet Assembly - Tunnel (serial 25373 thru 26038)	1
	0500101-33	Carpet Assembly - Tunnel (serial 26039 thru 26504)	1
	0500102-33	Carpet Assembly - Tunnel (serial 26505 thru 26995)	1
-53	0510185	Cover Plate Assembly - Tunnel aft	1
-54	PK76XZ-8-10	Screw - (Attach cover plate)	9
-55	0511168	Placard - Fuel selector valve	1
-56	0510141	Cover Plate - Tunnel forward	1
	PK76XZ-8-6	Screw - (Attach cover plate)	4
-57	0500100-25	Carpet - Side strip LH (serial 25373 thru 26038)	1
	0500101-25	Carpet - Side strip LH (serial 26039 thru 26504)	1
	0500102-25	Carpet - Side strip LH (serial 26505 thru 26995)	1
-58	0500100-26	Carpet - Side strip RH (serial 25373 thru 26038)	1
	0500101-26	Carpet - Side strip RH (serial 26039 thru 26504)	1
	0500102-26	Carpet - Side strip RH (serial 26505 thru 26995)	1
-59	0500100-34	Carpet - Baggage compartment floor (serial 25373 thru 26038)	1
	0500101-34	Carpet - Baggage compartment floor (serial 26039 thru 26504)	1
	0500102-34	Carpet - Baggage compartment floor (serial 26505 thru 26995)	1
-60	0411293	Shield - Control tee	1
-61	0411840	Clamp - Shield attachment	2
-62	AN526-632R-36	Screw - (Attach clamp)	2
-63	AN365-632	Nut - (Attach clamp)	2
-64	0511186	Hook - Coat hanger	1
	0500010-4	Washer	1
-65	0511018	Hook - Earphone	1
	PK76XZ-6-6	Screw - (Attach hook)	2
	NAS446-3-3	Nut - (Attach hook)(Tinnerman A1777-6Z-3)	2
-66	0513014	Shield - Rudder bar LH	1
-67	0513015	Shield - Rudder bar RH	1
-68	PK76XZ-8-8	Screw - (Attach shield)	16
	A1778-8Z-3	Nut - (Attach shield)	8

BLANK PAGE

ILLUSTRATED PARTS CATALOG

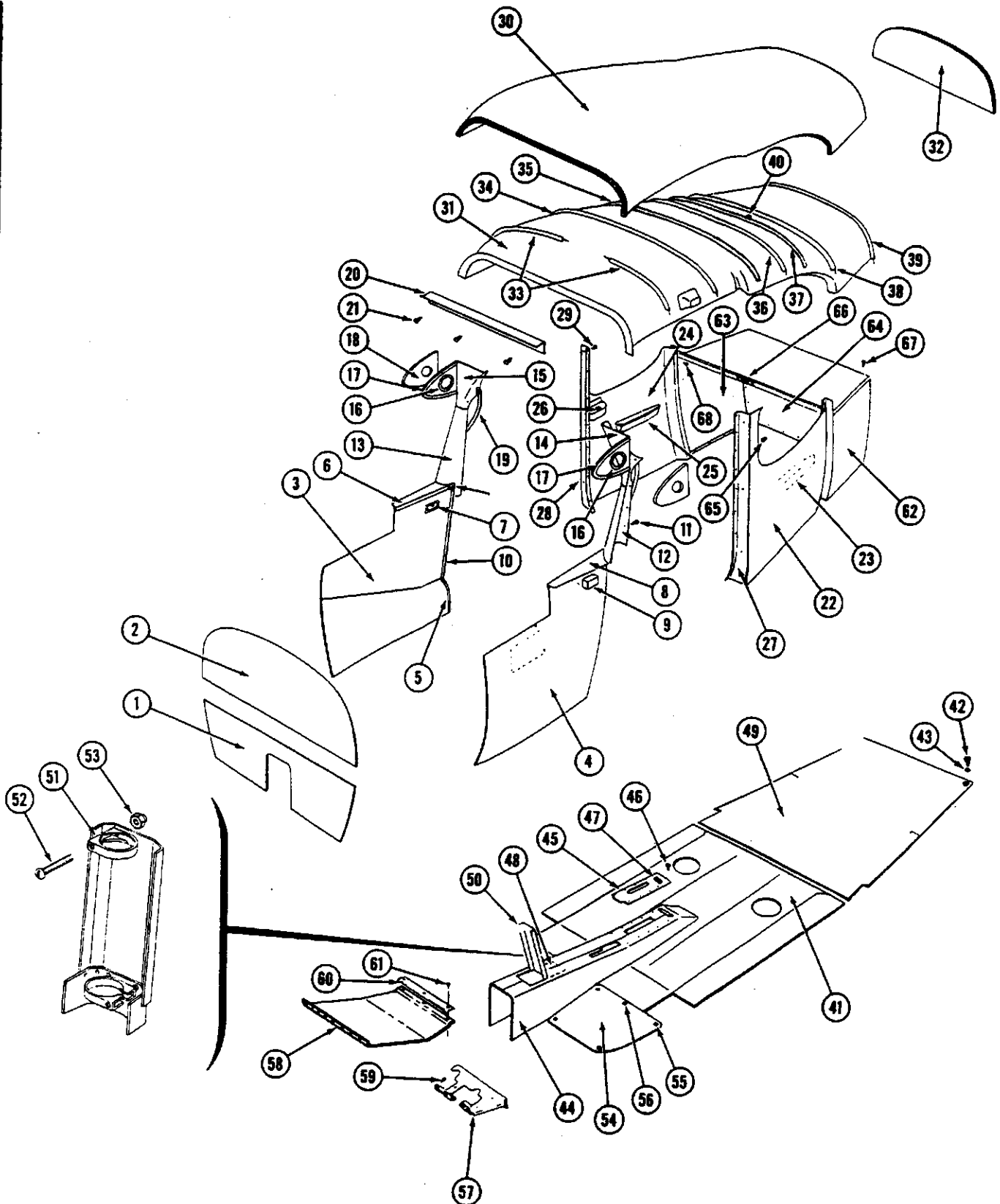


FIGURE 36A. UPHOLSTERY INSTALLATION (SERIAL 26996 AND ON)

ILLUSTRATED PARTS CATALOG

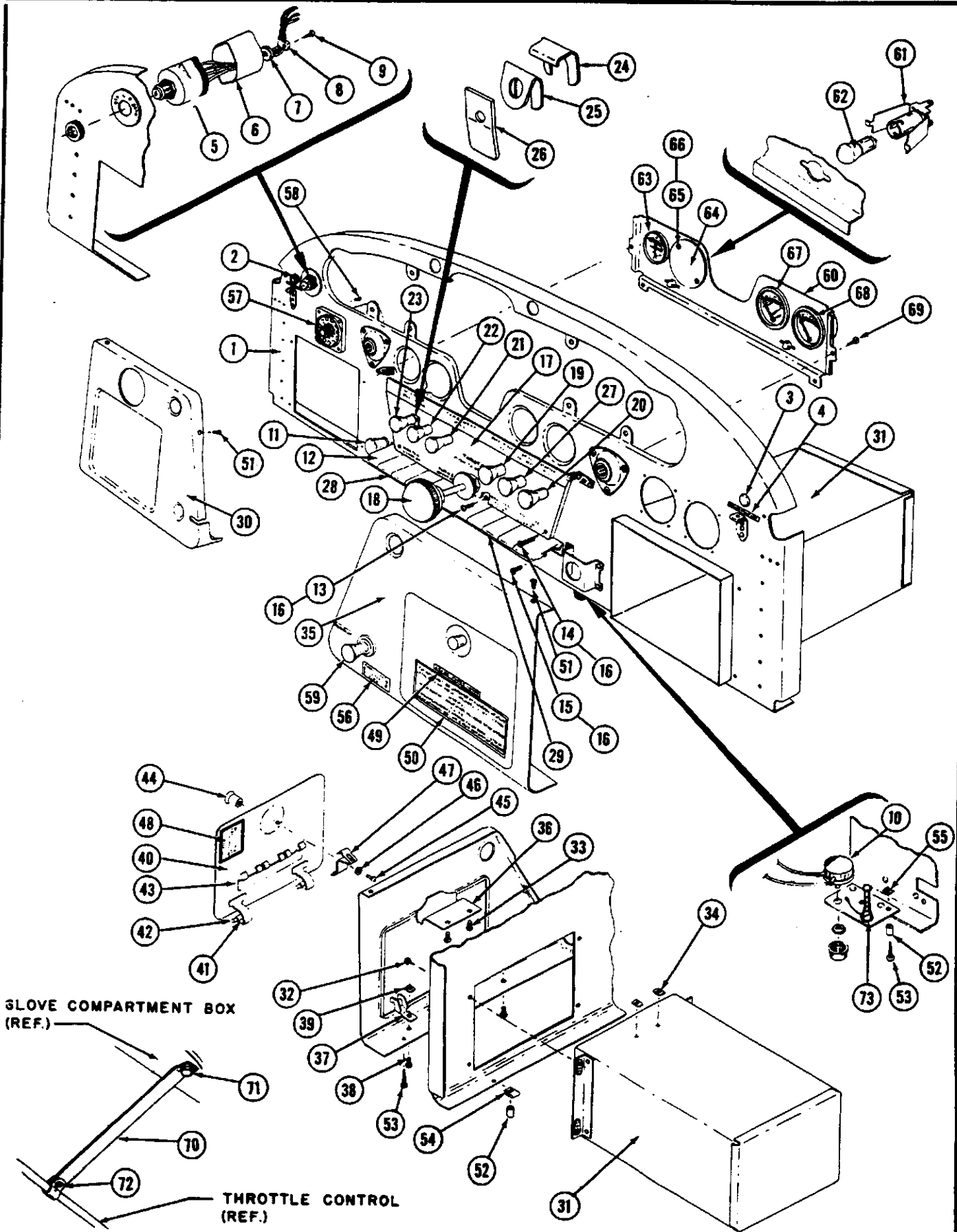
FIGURE AND INDEX NO.	PARTS NUMBER	DESCRIPTION	UNITS PER ASSY
36A-	No Number	Upholstery Installation - (Serial 26996 & on) (see figure 1 for NHA)	Ref
-1	0500103-2	Panel Assembly - Firewall lower	1
-2	0500103-1	Panel Assembly - Firewall upper	1
-3	0500103-8	Panel Assembly - Right sidewall	1
-4	0500103-9	Panel Assembly - Left sidewall	1
-5	0700103-193	Retainer - Upholstery	2
	PK89XA-4-4	Screw - (Attach retainer)	1
-6	0500103-14	Panel Assembly - Right side top	1
-7	0411030-4	Ash Receiver	2
	PK76XZ-4-8	Screw - (Attach ash receiver)	2
	NAS446-1	Nut - (Attach ash receiver) (Tinnerman 1776-4Z-3)	1
-8	0500103-15	Panel Assembly - Left side top	1
	0513028-1	Decal - Operational limitation	1
-9	0411030-4	Ash Receiver	2
	PK76XZ-4-8	Screw - (Attach ash receiver)	2
	NAS446-1	Nut - (Attach ash receiver) (Tinnerman 1776-4Z-3)	2
-10	0511297	Channel - Upholstery retainer	9
-11	PK88XA-4-6	Screw - Nickel plate	10
	#600	Washer - Finishing (attach retainer) (AU-VE-CO)	1
-12	0511137-13	Cover - Left door post	1
	0713210-4	Decal - Map light	1
-13	0511137-12	Cover - Right door post	1
-14	0511169-4	Shield Assembly - Left door post upper	1
-15	0511169-1	Shield Assembly - Right door post upper	1
-16	0413235	Grommet - Shield	1
-17	0411875-7	Moulding - Windshield	8
	PK76XA-4-6	Screw - (Attach shield)	2
-18	0511001-133	Soundproofing - Shield	2
-19	0511001-129	Strap - Assist	4
	T-5/8	Screw - (Attach assist strap) (AU-VE-CO)	1
-20	0511130	Shield - Front spar	3
-21	49265-F-938	Fastener - United Carr (attach front spar trim)	1
-22	0500103-17	Panel Assembly - Left aft	1
-23	0500103-108	Arm Rests Assembly - LH	1
-24	0500103-16	Panel Assembly - Right aft	1
-25	0500103-109	Arm Rests Assembly - RH	6
	PK76XZ-8-8	Screw - (Attach arm rests)	6
	A1786-8Z-3	Nut - (Attach arm rests)	1
-26	C-6881	Receiver - Ash (Grand Rapids Metal Craft Co)	4
	PK76XZ-8-8	Screw - (Attach ash receiver)	4
	A1786-8Z-3	Nut - (Attach ash receiver)	1
-27	0511177-3	Fairing - LH rear door post	1
-28	0511177-2	Fairing - RH rear door post	20
-29	PK76XZ-6-6	Screw - (Attach fairings)	1
-30	0511001-186	Panel Assembly - Cabin top soundproof	1
-31	0500103-107	Headliner Assembly	1
-32	0500103-5	Panel Assembly - Cabin rear upper soundproof	2
-33	0511001-22	Wire - Headliner	1
-34	0511001-20	Wire - Headliner	1
-35	0700100-191	Wire - Headliner	1
-36	0511001-147	Wire - Headliner	1
-37	0511001-148	Wire - Headliner	1
-38	0511001-149	Wire - Headliner	1
-39	0511001-21	Wire - Headliner	1
-40	0511186	Hook - Coat hanger	1
	0500010-4	Washer	1
-41	0500103-40	Carpet - Cabin floor	13
-42	PK88A-4-6	Screw - (Attach carpet)	13
-43	#600	Washer - Finishing (attach carpet) (AU-VE-CO)	1
-44	0500103-101	Carpet Assembly - Tunnel	1
-45	0510185	Cover Plate Assembly - Tunnel	9
-46	PK76XZ-8-10	Screw - (Attach cover plate)	1
-47	0511168	Placard - Fuel selector valve	1
-48	0510141	Cover Plate - Tunnel	4
	PK76XZ-8-6	Screw - (Attach cover plate)	1
-49	0500102-34	Carpet - Baggage compartment floor	1
-50	0411293	Shield - Control tee	1

ILLUSTRATED PARTS CATALOG

FIGURE AND INDEX NO.	PARTS NUMBER	DESCRIPTION	UNITS PER ASS'Y
36A-51	0411840	Clamp - Shield attachment	2
-52	AN526-632R36	Screw - (Attach clamp)	2
-53	AN365-632	Nut - (Attach clamp)	2
-54	0500100-173	Kick Plate - Floorboard LH	1
-55	PK76XZ-8-8	Screw - (Attach kick plate)	4
-56	PK86A-4-6	Screw - Nickel plate	1
-57	0513014-1	Shield - Rudder box LH	1
-58	0713049-3	Shield - Rudder bar RH	1
-59	PK76XZ-6-8	Screw - (Attach shields)	15
	NAS446-4-3	Nut - (Attach shields) (Tinnerman A1778-8Z-3)	3
-60	0713049-7	Retainer	1
-61	PK76XZ-8-14	Screw - (Attach retainer)	3
-62	0500103-37	Panel Assembly - Baggage compartment LH	1
-63	0500103-38	Panel Assembly - Baggage compartment RH	1
-64	0700100-2	Panel Assembly - Baggage compartment rear	1
-65	49265-F-938	Fastener - United Carr (attach rear baggage shelf)	18
-66	0513013-9	Shelf Assembly - Baggage	1
-67	PK76XZ-4-4	Screw - (Attach baggage shelf)	10
-68	AN3-4A	Bolt - (Attach baggage shelf)	4

BLANK PAGE

ILLUSTRATED PARTS CATALOG



GLOVE COMPARTMENT BOX
(REF.)

THROTTLE CONTROL
(REF.)

FIGURE 37. STATIONARY INSTRUMENT PANEL EQUIPMENT (SERIALS 20267 THRU 25372)

ILLUSTRATED PARTS CATALOG

FIGURE AND INDEX NO.	PARTS NUMBER	DESCRIPTION	UNITS PER ASS'Y
37-	No Number	Stationary Panel Equipment Installation (0413116 Ref.) (serial 20267 thru 25372) (see figure 1 for NHA)	Ref
-1	0513111	Panel Assembly - Stationary (see figure 38 for breakdown) (see fig. 19 for NHA)	1
-2	0411038-1	Jack - Headphone	1
-3	#41892	Plug Button - (United Carr)	1
-4	0413166-3	Decal - Headphone	2
-5	0311038-2	Switch - Ignition	1
-6	0311777	Shield Assembly - Ignition switch	1
-7	AN931-4-7	Grommet	1
-8	AN742-D3	Clamp - (Tinnerman #2980A-3)	1
-9	PK76XZ-6-6	Screw - (Attach clamp)	1
-10	0413126	Rheostat Assembly - Panel light (with knob)	1
-11	0413215	Primer Assembly - Engine	1
	0413017	Knob - Primer	1
	AN6227-7	"O" Ring - (Packing for primer)	1
-12	0412477-4	Panel Assembly - Switch and fuse (see figure 39 for breakdown)	1
-13	AN515-8R12	Screw - (Attach switch panel)	2
-14	AN507-832R8	Screw - (Attach switch panel)	4
-15	AN515-8R8	Screw - (Attach switch panel)	8
-16	AN365-832	Nut - (Attach switch panel)	1
-17	0413316-4	Plate - Instrument panel plexiglass decoration	1
-18	0411091-2	Control - Throttle	1
	AN960-A816L	Washer - (Front of panel throttle mounting)	1
-19	0411090-1	Control - Parking brake (serial 25000 thru 25372)	1
	0411090-15	Control - Parking brake (serial 25000 & on)	1
-20	0411090-3	Control - Starter	1
-21	0411090-4	Control - Carburetor heat	2
-22	0411089	Knob - Push-pull control (optional control provision)	1
	AN526-10R14	Screw - (Attach knob)	1
-23	0411090-2	Control - Fuel mixture	1
-24	0413336	Bracket - Control stop	1
-25	0413337	Clip - Control stop	1
-26	0413335	Arm - Control stop	1
-27	0411090-2	Control - Cabin heat	1
-28	0413226-4	Decal - Fuse (generator, radio, and navigation lights)	1
-29	0413226-7	Decal - Fuse (dome, panel, heater, landing light & lighter)	1
-30	0513130-2	Cover - Instrument panel left (without radio cutout)	1
-31	0412499	Box Assembly - Glove compartment	1
-32	PK76XZ-8-8	Screw - (Attach glove compartment box)	4
-33	PK76XZ-8-6	Screw - (Attach glove compartment box)	2
-34	NAS446-4	Nut - (Attach glove compartment box) (Tinnerman A1778-8Z-3)	2
-35	0513114-4	Cover Assembly - Instrument panel right	1
-36	0513115	Latch - Glove compartment door	1
-37	0413109	Hinge - Glove compartment door	2
-38	PK76XZ-8-6	Screw - (Attach lower hinge)	2
-39	NAS446-4	Nut - (Attach lower hinge) (Tinnerman #A1787-8Z-3)	2
-40	0413114	Door Assembly - Glove compartment	1
-41	0413208	Hinge Assembly - Glove compartment door	2
-42	0413209	Pin - Hinge	1
-43	0411099	Retainer - Spare fuse	1
-44	0411092	Knob - Pull	1
-45	AN526-632R5	Screw - (Attach door knob)	1
-46	AN936-A6	Washer - (Attach door knob)	1
-47	0413272	Catch - Glove compartment door	1
-48	0413114-1	Decal - Oil temperature	1
-49	0411749-5	Decal - Spare fuses	1
-50	0513028	Decal - Category	1
-51	PK76XZ-4-8	Screw - (Attach panel cover)	4
-52	0413117	Spacer - Instrument panel cover	4
-53	PK76XZ-8-10	Screw - (Attach bottom of panel cover)	4
-54	NAS395-18-3	Nut - (Attach bottom of panel cover) (Tinnerman #A1787-8Z-3)	3
-55	NAS446-4	Nut - (Attach bottom of panel cover) (Tinnerman A1778-8Z-3)	1
-56	0513021	Decal - Panel light switch	1
-57	0511062-2	Indicator - Stall warning	1
	0511060-1	Lamp - Stall warning indicator	1
-58	AN526-632R9	Screw - (Attach stall warning indicator)	4
-59	0411093-1	Lighter - Cigar	1
	0413118-3	Sub Panel Assembly	1
-60	0412491	Sub Panel - Stationary instrument	1
-61	0411035-1	Light Socket - Instrument panel	2

ILLUSTRATED PARTS CATALOG

FIGURE AND INDEX NO.	PARTS NUMBER	DESCRIPTION	UNITS PER ASSY
37-62	0511060	Bulb - Instrument light	2
-63	0411020-1	Ammeter	1
-64	0413206	Cover - Instrument opening	1
-65	AN515-6R8	Screw - (Attach cover)	2
-66	AN365-632	Nut - (Attach cover)	2
-67	0411016-2	Gage - Oil pressure	1
-68	0411017-3	Gage - Oil temperature	1
-69	PK76XZ-8-8	Screw - (Attach sub panel)	2
-70	0413116-5	Bracket - Throttle control support	1
-71	AN3-3A	Bolt - (Attach bracket)	1
	AN365-1032	Nut - (Attach bracket)	1
-72	NAS435-D4	Clamp - (Secure throttle control) (Tinnerman A3047A-4)	1
	PK76XZ-8-6	Screw - (Attach clamp)	1
-73	1HJ5	Resistor-5 ohm	1

ORDER BY PART NUMBER AND NAME

SERIAL NUMBER AND COLOR IF APPLICABLE

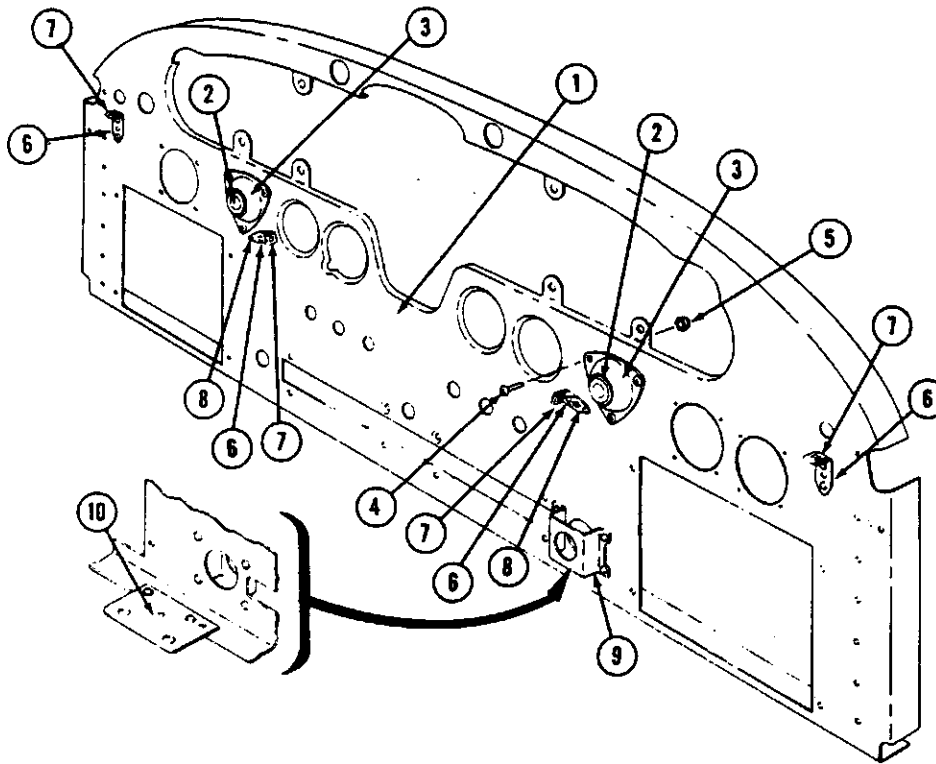


FIGURE 38. STATIONARY INSTRUMENT PANEL ASSEMBLY (SERIALS 20267 THRU 25372)

FIGURE AND INDEX NO.	PARTS NUMBER	DESCRIPTION	UNITS PER ASSY
38-	0513111	Panel Assembly - Stationary instrument (see figure 19 for NHA)	Ref.
-1	0513110	Panel - Stationary	1
-2	0411224	Ball - Control tube instrument panel guide	2
-3	0411225	Socket - Instrument panel center tube	4
-4	AN526-632R8	Screw - (Attach socket to panel)	6
-5	AN365-632	Nut - (Attach socket to panel)	6
-6	0413151	Bracket - Panel shield mounting	4
-7	NAS395-1-3	Nut - (Tinnerman #A6187-4Z-3)	4
-8	NAS444-4	Nut - (Tinnerman #A6191-8Z-3)	2
-9	0413128	Bracket - Cigar lighter	1
-10	0413131	Bracket - Panel light dimming switch	1

ORDER BY PART NUMBER AND NAME

SERIAL NUMBER AND COLOR IF APPLICABLE

ILLUSTRATED PARTS CATALOG

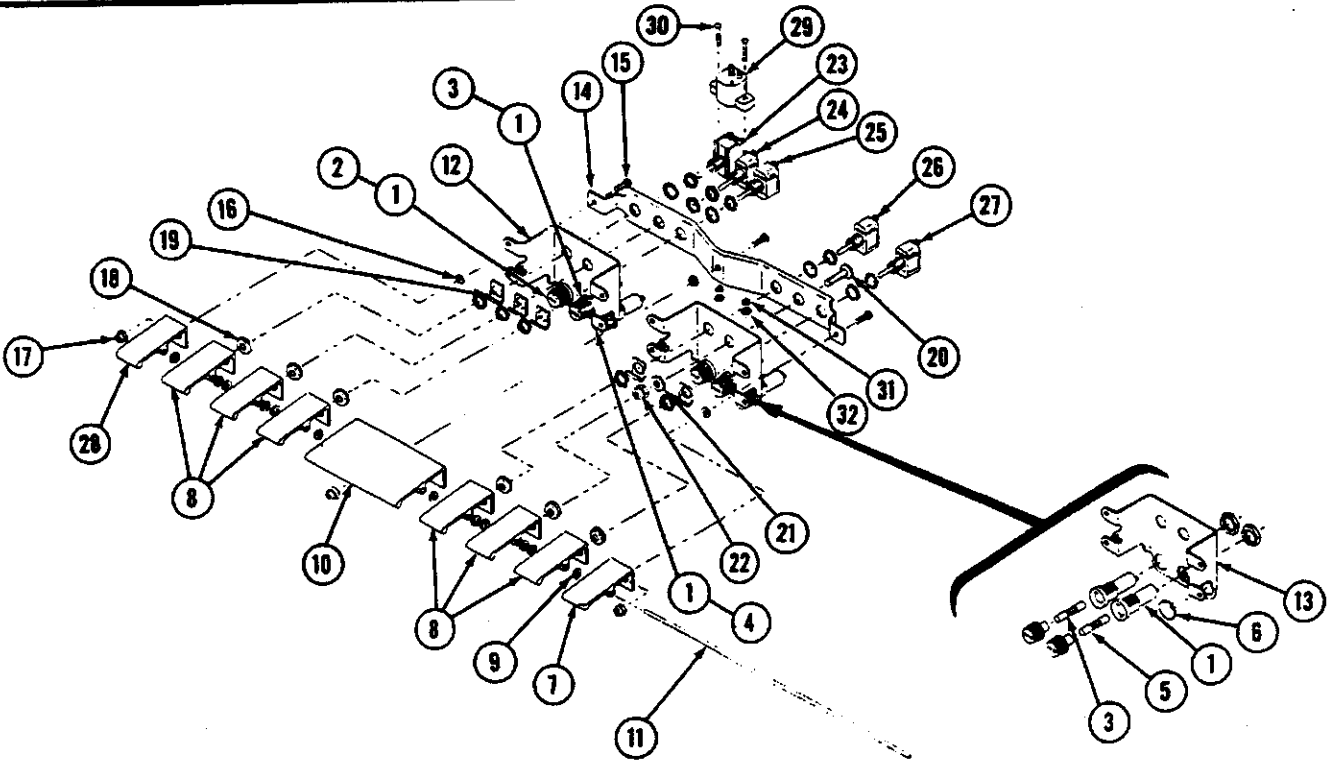


FIGURE 39. SWITCH AND FUSE PANEL ASSEMBLY (SERIALS 20267 THRU 25372)

FIGURE AND INDEX NO.	PARTS NUMBER	DESCRIPTION	UNITS PER ASS'Y
39-	0412477-4	Panel Assembly - Switch and fuse (see figure 37 for NHA)(serials 20267 thru 25372)	Ref
-1	0411023-1	Retainer - Fuse	5
-2	0411023-6	Fuse - (20 amp) (serial 20452 & on)	1
	0411023-3	Fuse - (15 amp) (serial 20267 thru 20452)	1
-3	0411023-3	Fuse - (15 amp)	2
-4	0411023-2	Fuse - (10 amp)	2
-5	0411023-4	Fuse - (25 amp)	1
-6	48172	Button - Plug (United Carr)	1
-7	0412474	Fairing - Switch panel left	1
-8	0412473	Handle - Switch	6
-9	AN960-6	Washer - (Switch handle spacer)	12
-10	0413143	Fairing - Switch panel center	1
-11	0412472	Pin - Hinge	1
-12	0412475	Bracket - Switch mounting left	1
-13	0412475-1	Bracket - Switch mounting right	1
-14	0413240	Bracket - Switch bar	1
-15	AN526-1032R8	Screw - (Attach end and center fairings)	3
-16	AN960-10	Washer - (Attach end and center fairings)	3
-17	AN365-1032	Nut - (Attach end and center fairings)	3
-18	AN931-4-7	Grommet	6
-19	0411889	Clip - Switch limit	5
-20	AN526-428R12	Screw - (Lock Handle)	1
-21	AN960-516L	Washer - (Lock handle)	1
-22	AN365-428	Nut - (Lock handle)	1
-23	AN3027-1	Switch - Master	1
-24	AN3021-1	Switch - Radio	1
-25	AN3021-1	Switch - Turn & bank	1
-26	AN3021-1	Switch - Navigation lights	1
-27	AN3021-1	Switch - Landing light	1
-28	0412474-1	Fairing - Switch panel right	1
-29	CA-2	Circuit Breaker - Klixon	1
-30	AN515-8R12	Screw - (Attach circuit breaker)	2
-31	AN936-A8	Washer - (Attach circuit breaker)	2
-32	AN340-8	Nut - (Attach circuit breaker)	2

ILLUSTRATED PARTS CATALOG

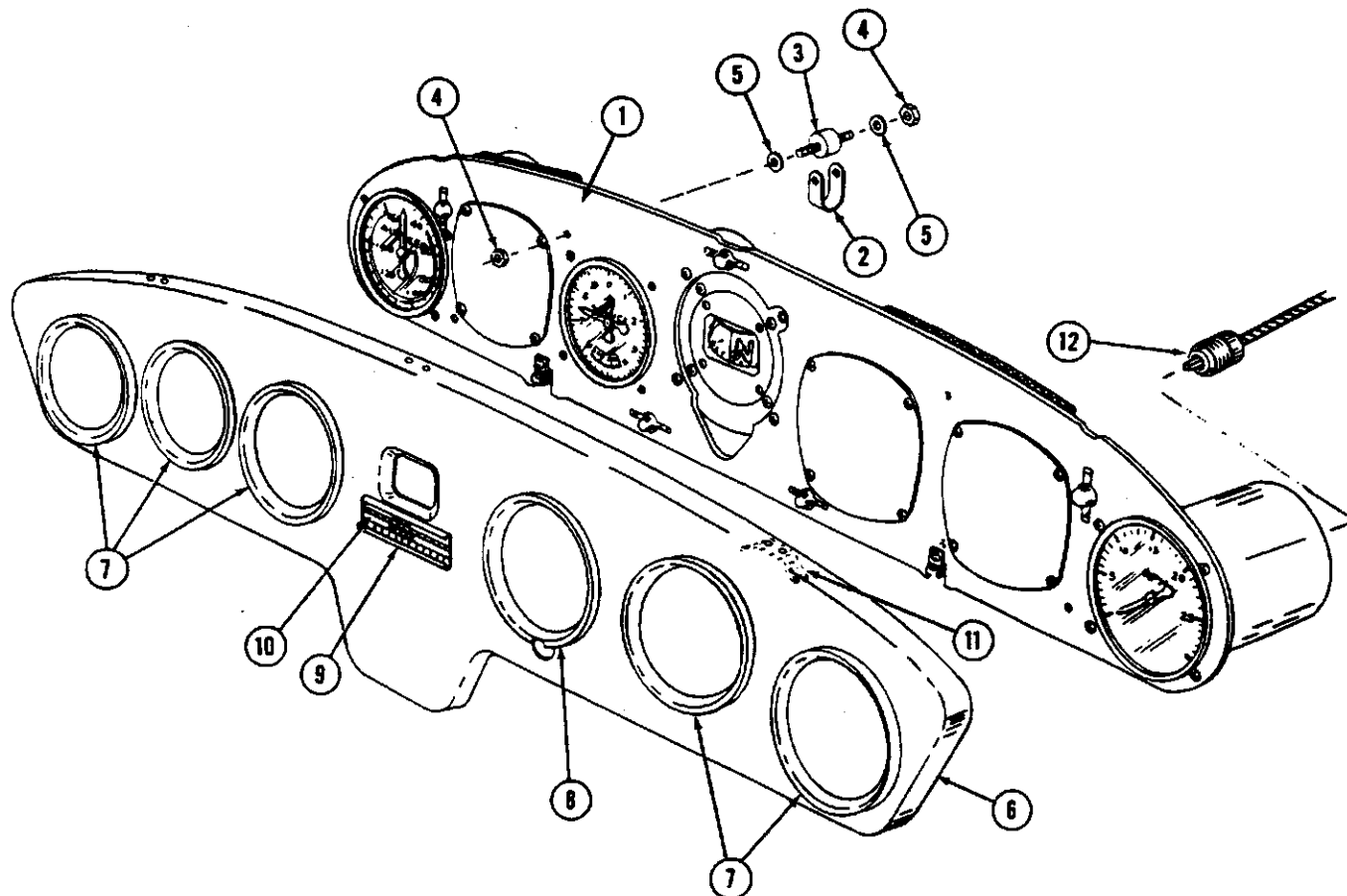


FIGURE 40. SHOCK MOUNTED INSTRUMENT PANEL INSTALLATION (SERIALS 20267 THRU 25372)

FIGURE AND INDEX NO.	PARTS NUMBER	DESCRIPTION	UNITS PER ASS'Y
40-	No Number	Shock Mounted Instrument Panel Installation - (Serial 20267 thru 25372) (0413116 Ref.) (see figure 1 for NHA)	Ref
-1	0412516-7	Panel Assembly - Shock (see figure 41 for breakdown)	1
-2	0413247	Strap - Shock panel ground	1
-3	0411059-1	Mount - Instrument panel shock	6
-4	AN340-B8	Nut - (Attach instrument panel mount)	12
-5	AN936A8	Washer - (Attach instrument panel mount)	12
-6	0412518	Cover Assembly - Shock panel	1
-7	0412487-3	Bezel	5
-8	0412487-4	Bezel	1
-9	0513020	Retainer - Compass card	1
-10	0513012	Card - Compass	1
-11	0412486	Clip - Shock panel cover	1
-12	0450017-7	Shaft-Tachometer	1

ORDER BY PART NUMBER AND NAME

SERIAL NUMBER AND COLOR IF APPLICABLE

ILLUSTRATED PARTS CATALOG

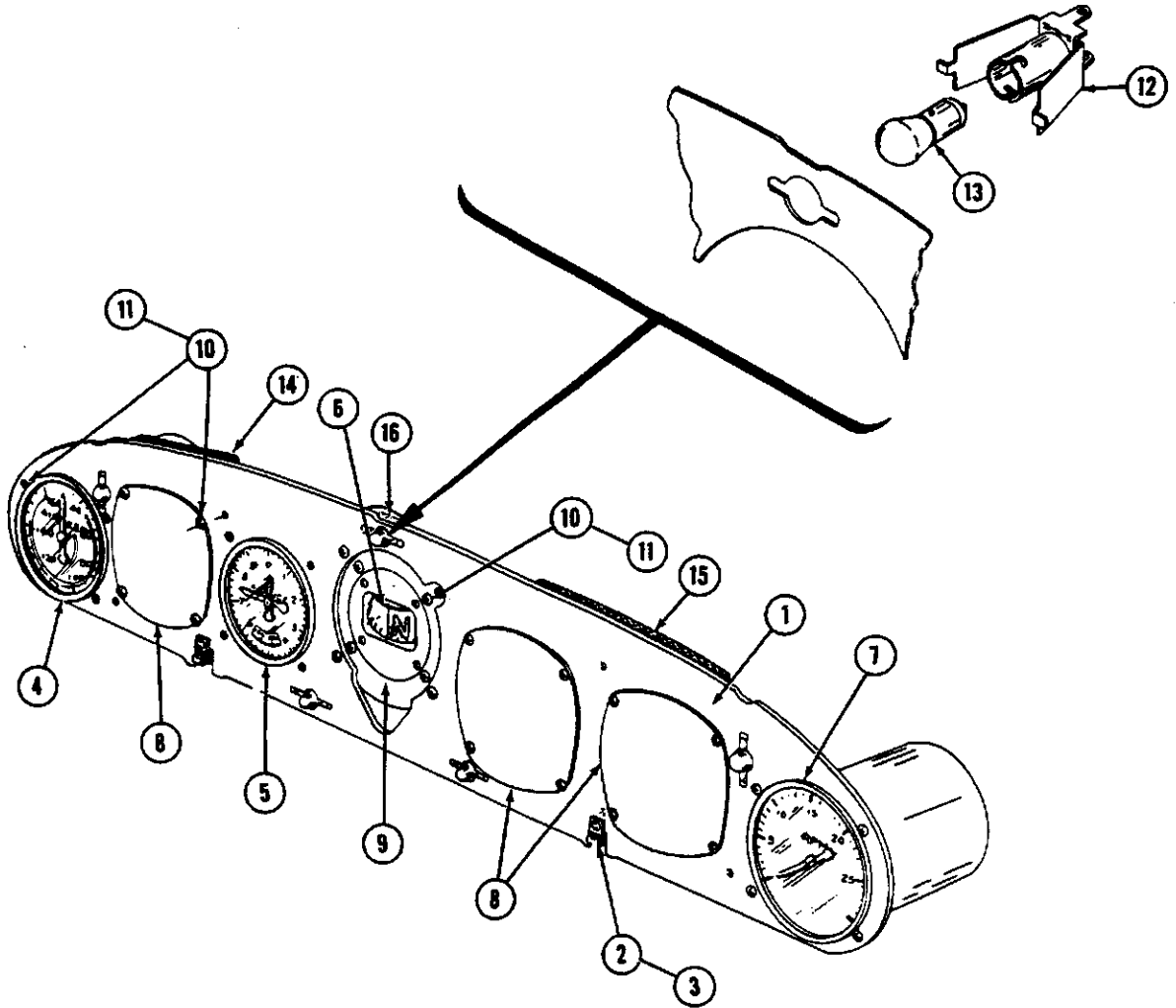


FIGURE 41. SHOCK MOUNTED INSTRUMENT PANEL ASSEMBLY (SERIALS 20267 THRU 25372)

FIGURE AND INDEX NO.	PARTS NUMBER	DESCRIPTION	UNITS PER ASS'Y
41-	0412516-7	Panel Assembly - Shock mounted instrument (see figure 40 for NHA)	Ref
-1	0513025	Sub Assembly - Shock panel	1
-2	0411896	Bracket - Shock panel cover	2
-3	NAS395-3-3	Nut - (Tinnerman #4052-6Z-3)	3
-4	0411086-10	Airspeed Indicator	1
-5	0411007-7	Altimeter	1
-6	0411008-2	Compass	1
-7	AN3136-323	Lamp	1
-8	0411087-23	Tachometer	1
-9	0411897	Cover - Instrument opening	1
-10	0411897-3	Plate - Adapter	1
-11	AN515B6R12	Screw - (Attach instruments & covers)	31
-12	AN365B632	Nut - (Attach instruments & covers)	31
-13	0411035	Socket - Instrument light	5
-14	0511060	Bulb - Instrument light	5
-15	0412516-10	Damper - Shock panel left felt	1
-16	0412516-11	Damper - Shock panel right felt	1
-17	0412516-12	Damper - Shock panel center felt	1

ORDER BY PART NUMBER AND NAME SERIAL NUMBER AND COLOR IF APPLICABLE

ILLUSTRATED PARTS CATALOG

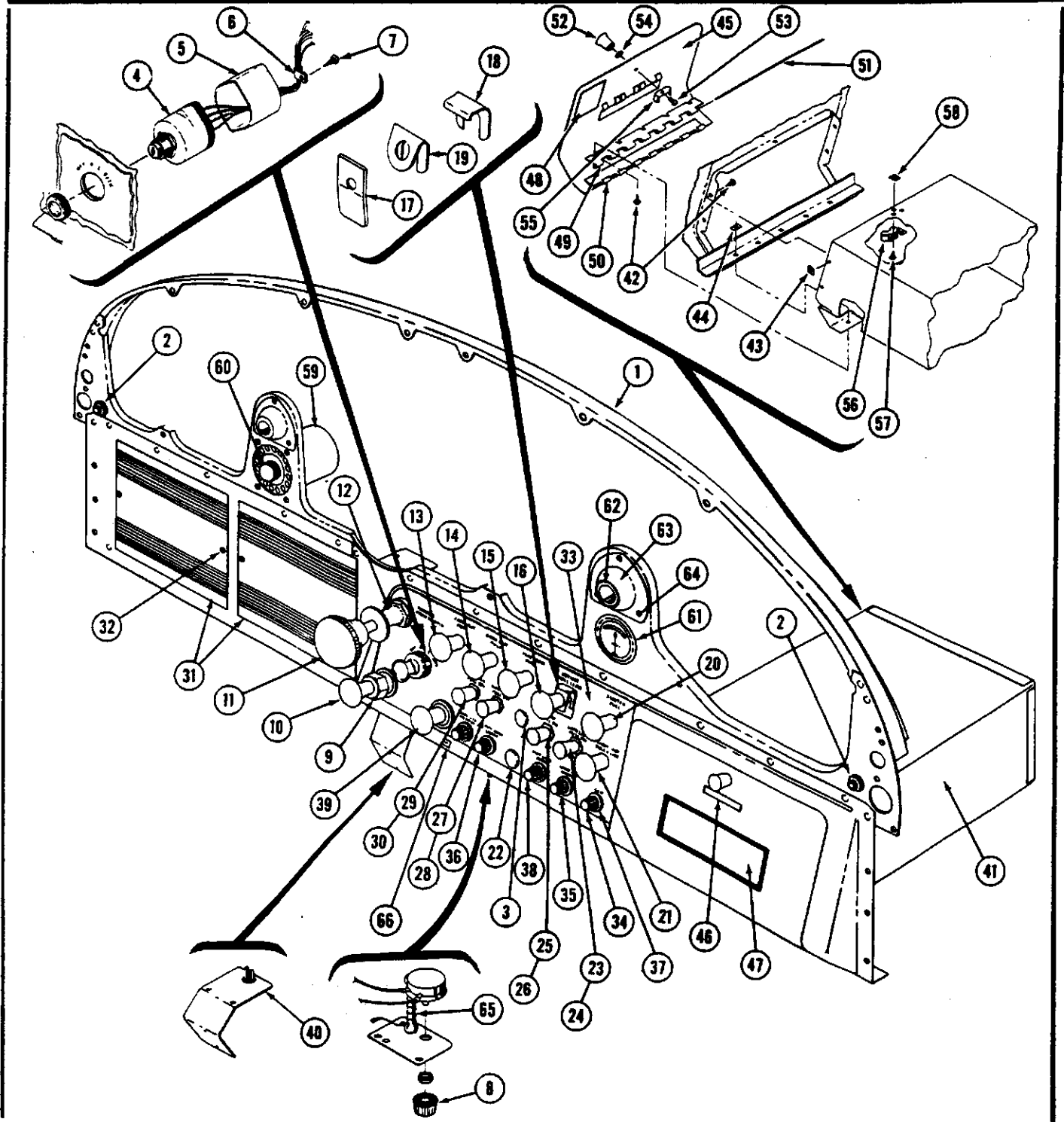


FIGURE 42. STATIONARY INSTRUMENT PANEL EQUIPMENT (SERIAL 25373 THRU 26038)

FIGURE AND INDEX NO.	PARTS NUMBER	DESCRIPTION	UNITS PER ASS'Y
42-	No Number	Stationary Panel Equipment Installation - (Serial 25373 thru 26038) (0513004 Ref.)(see figure 1 for NHA)	Ref
-1	0513004-1	Panel Assembly - Stationary (see fig. 20 for NHA)	Ref
-2	0411038	Jack - Headphone	2
-3	NAS451-45	Plug Button - United Carr	2

ORDER BY PART NUMBER AND NAME

SERIAL NUMBER AND COLOR IF APPLICABLE

ILLUSTRATED PARTS CATALOG

FIGURE AND INDEX NO.	PARTS NUMBER	DESCRIPTION	UNITS PER ASS'Y
42-4	0311038-2	Switch - Ignition	1
-5	0311777	Shield Assembly - Ignition Switch	1
	AN931-4-7	Grommet	1
-6	AN742-D3	Clamp - (Tinnerman #2980A-3)	1
-7	PK76XZ-6-6	Screw - (Attach clamp)	1
-8	0413126-4	Rheostat Assembly - Panel light (with knob)	1
-9	0413215-1	Primer Assembly - Engine	1
-10	0413017-1	Knob - Primer	1
-11	0411091-9	Control - Throttle	1
-12	0513004-16	Adapter - Throttle control	1
-13	0411090-12	Control - Carburetor heat	1
-14	0411090-11	Control - Cabin heat	1
-15	0411090-9	Control - Parking brake	1
-16	0411090-10	Control - Carburetor mixture	1
-17	0413335-11	Arm - Control lock	1
-18	0413336	Bracket - Control lock	1
-19	0413337	Clip - Control lock	1
-20	0411090-11	Control - Starter	1
-21	0411090-13	Control - Cabin air push-pull	1
-22	NAS451-10	Plug Button	1
-23	0713035	Switch Assembly - Landing light	1
-24	0411092-1	Knob - Landing light switch	1
-25	0713026-4	Switch - Radio	1
-26	0411092-1	Knob - Radio switch	1
-27	0713026-4	Switch - Navigation light	1
-28	0411092-1	Knob - Navigation light switch	1
-29	0713026-5	Switch - Master	1
-30	0411092-1	Knob - Master switch	2
-31	0513005	Cover - Plastic	4
-32	PK76XZ-4-6	Screw - (Attach cover)	4
	NAS446-1	Nut - (Attach cover)	1
-33	0513032	Plate - Instrument panel decorative plexiglas	5
-34	0411023-1	Retainer - Fuse	2
-35	0411023-3	Fuse - 15 amp	1
-36	0411023-2	Fuse - 10 amp	1
-37	0411023-6	Fuse - 20 amp	1
-38	0411023-4	Fuse - 25 amp	1
-39	0513052-1	Lighter Assembly - Cigar	1
-40	0713203-1	Bracket Assembly - Microphone (optional)	1
-41	0513031-4	Box Assembly - Glove	10
-42	PK76XZ-6-6	Screw - (Attach glove box)	5
-43	NAS488-1-3	Nut - (Attach glove box) (Tinnerman A6310-6Z-3)	5
-44	NAS446-2-3	Nut - (Attach glove box) (Tinnerman A1181-6Z-3)	1
	0513004-5	Door Assembly - Glove box	1
-45	0413005-17	Door - Glove box	1
-46	0411749-5	Decal - Spare fuse	1
-47	0513028	Decal - Operational limitation	1
-48	0413114-1	Decal - Service information	1
-49	0413005-8	Hinge Half - Glove box door	1
-50	AN257HP3	Hinge Half - Glove box door	1
-51	AN253-2-725	Pin - Hinge	1
-52	0411092-1	Knob - Glove box door	1
-53	AN526-832R5	Screw - (Attach glove box door knob)	1
-54	AN936-A8	Washer - (Attach glove box door knob)	1
-55	0713009-1	Clip - (Attach glove box door knob)	1
-56	0713009-2	Catch - Glove box door	2
-57	PK76XZ-6-6	Screw - (Attach glove box door catch)	2
-58	NAS446-2	Nut - (Attach glove box door catch)	1
-59	0511062-2	Indicator - Stall warning	1
-60	0511062-3	Lamp - Stall warning indicator	1
-61	0411020	Ammeter	2
-62	0411224	Ball - Control tube	4
-63	0411225	Socket - Control tube	6
-64	AN526-632R8	Screw - (Attach control tube socket)	6
	AN365-632	Nut - (Attach control tube socket)	1
-65	No Number	Resistor - (60 ohm 10 watt wire wound)(Ohmite Manufacturing Co.)	1
-66	0513021	Decal - Panel light	1

ILLUSTRATED PARTS CATALOG

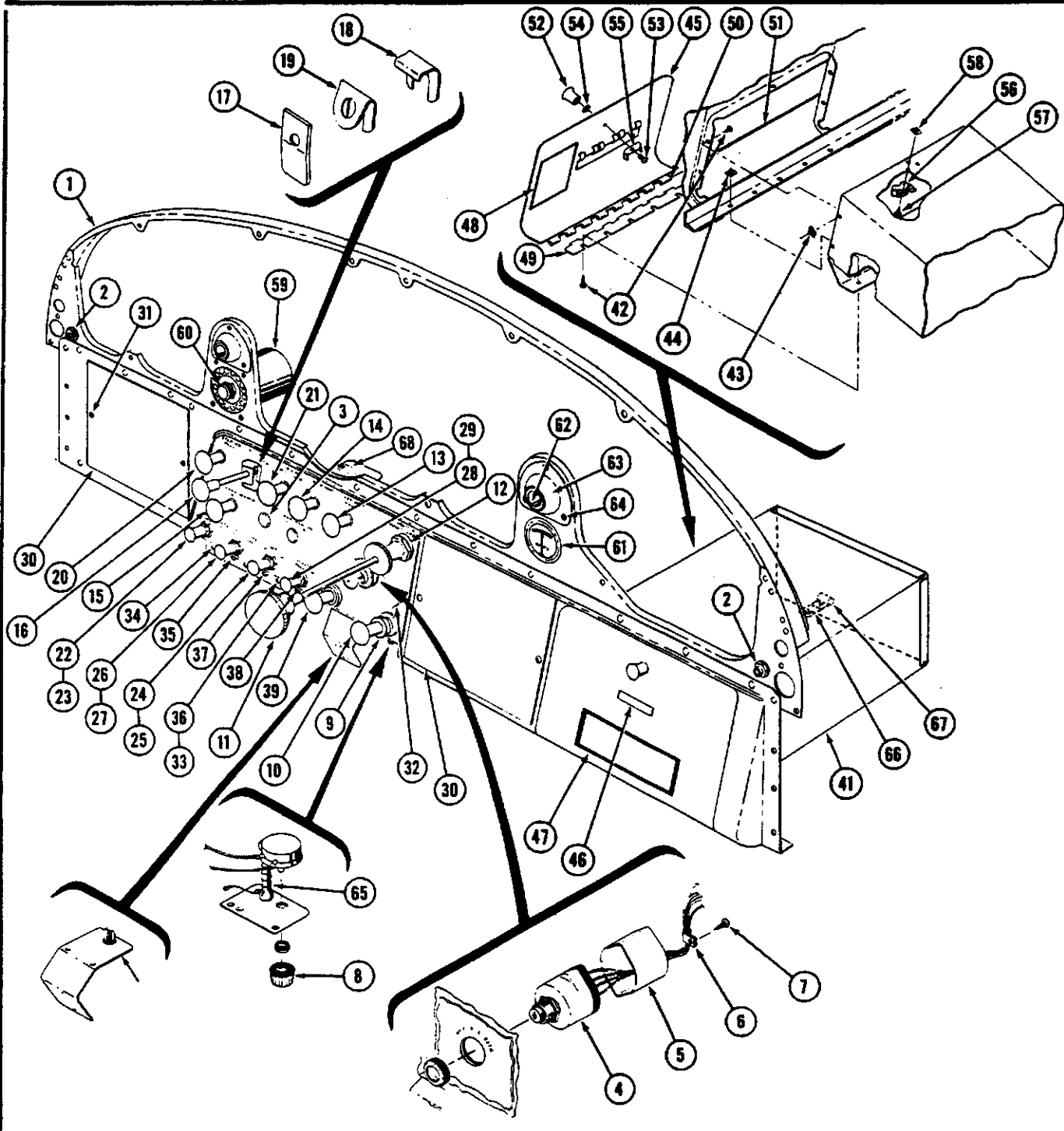


FIGURE 42A. STATIONARY INSTRUMENT PANEL EQUIPMENT (SERIAL 26039 THRU 26995)

FIGURE AND INDEX NO.	PARTS NUMBER	DESCRIPTION	UNITS PER ASS'Y
42A-	No Number	Stationary Panel Equipment Installation (Serial 26039 thru 26995)(0513040 Ref.) (see figure 1 for NHA)	Ref
-1	0513040-3	Panel Assembly - Stationary (see figure 20 for NHA)	Ref
-2	0411038	Jack - Headphone	2
-3	51143	Plug Button - United Carr	2
-4	0311038-2	Switch - Ignition	1
-5	0311777	Shield Assembly - Ignition Switch	1

ORDER BY PART NUMBER AND NAME

SERIAL NUMBER AND COLOR IF APPLICABLE

ILLUSTRATED PARTS CATALOG

FIGURE AND INDEX NO.	PARTS NUMBER	DESCRIPTION	UNITS PER ASSY
42A-	AN931-4-7	Grommet	1
-6	AN742-D3	Clamp - (Tinnerman A2980A-3)	1
-7	PK76XZ-6-6	Screw - (Attach clamp)	1
-8	0413126	Rheostat Assembly - Panel light (with knob)	1
-9	0311538-8	Primer Assembly - Engine	1
-10	0413017-1	Knob - Primer	1
-11	0411091-9	Control - Throttle	2
-12	0513004-16	Adapter - Throttle control	1
-13	0411090-8	Control - Carburetor heat	1
-14	0411090-5	Control - Cabin heat	1
-15	0411090-19	Control - Parking brake	1
-16	0411090-8	Control - Carburetor mixture	1
-17	0413335	Arm - Control lock	1
-18	0413336	Bracket - Control lock	1
-19	0413337	Clip - Control lock	1
-20	0411090-18	Control - Starter	1
-21	0411090-17	Control - Cabin air push-pull	1
-22	0713035	Switch Assembly - Landing light	1
-23	0411092-1	Knob - Landing light switch	1
-24	0713026-4	Switch - Radio	1
-25	0411092-1	Knob - Radio switch	1
-26	0713026-4	Switch - Navigation light	1
-27	0411092-1	Knob - Navigation light switch	1
-28	0713026-5	Switch - Master	1
-29	0411092-1	Knob - Master switch	2
-30	0513041	Cover - plastic	4
-31	PK76XZ-4-6	Screw - (Attach cover)	4
	NAS446-1-3	Nut - (Tinnerman A1776-4Z-3)(attach cover)	1
-32	0513043	Plate - Instrument panel decorative plexiglas	5
-33	0411023-1	Retainer - Fuse	2
-34	0411023-3	Fuse - 15 amp	1
-35	0411023-2	Fuse - 10 amp	1
-36	0411023-6	Fuse - 20 amp	1
-37	0411023-4	Fuse - 25 amp	1
-38	51142	Plug Button - United Carr	1
-39	0513052-1	Lighter Assembly - Cigar	1
-40	0713203-1	Bracket Assembly - Microphone (optional)	1
-41	0513036-3	Box Assembly - Glove	10
-42	PK76XZ-6-6	Screw - (Attach glove box)	5
-43	NAS488-1-3	Nut - (Tinnerman A6310-6Z-3)(attach glove box)	5
-44	NAS466-2-3	Nut - (Tinnerman A1181-6Z-3)(attach glove box)	1
	0513040-12	Door Assembly - Glove box	1
-45	0513040-11	Door - Glove box	1
-46	0411749-5	Decal - Spare fuse	1
-47	0513028	Decal - Operational limitations	1
-48	0413114-1	Decal - Service information	1
-49	0513004-8	Hinge Half - Glove box door	1
-50	AN257HP3	Hinge Half - Glove box door	1
-51	AN253-2-725	Pin - Hinge	1
-52	0411092-1	Knob - Glove box door	1
-53	AN526-832R5	Screw - (Attach glove box door knob)	1
-54	AN936-A8	Washer - (Attach glove box door knob)	1
-55	0713009-1	Clip - (Attach glove box door knob)	1
-56	0713009-2	Catch - Glove box door	2
-57	PK76XZ-6-6	Screw - (Attach glove box door catch)	2
-58	NAS446-2-3	Nut - (Tinnerman A1181-6Z-3)(attach glove box door catch)	1
-59	0511082-2	Indicator - Stall warning	1
-60	0511082-3	Lamp - Stall warning indicator	1
-61	0411020	Ammeter	2
-62	0411224	Ball - Control tube	4
-63	0411225	Socket - Control tube	6
-64	AN526-632R8	Screw - (Attach control tube socket)	6
	AN365-632	Nut - (Attach control tube socket)	1
-65	No Number	Resistor (60 ohm 10 watt wire wound)(Ohmite Manufacturing Co.)	1
-66	0413116-5	Strap	1
	AN3-3A	Bolt - (Attach strap to glove box)	1
	AN365-1032	Nut - (Attach strap to glove box)	1
-67	A3047A-4-92	Clamp - Tinnerman (attach throttle control to strap)	1
	PK76XZ-8-6	Screw - (Attach clamp)	1
-68	CA-2	Circuit Breaker - Klixon	1
	AN515B6R12	Screw - (Attach circuit breaker)	2

ILLUSTRATED PARTS CATALOG

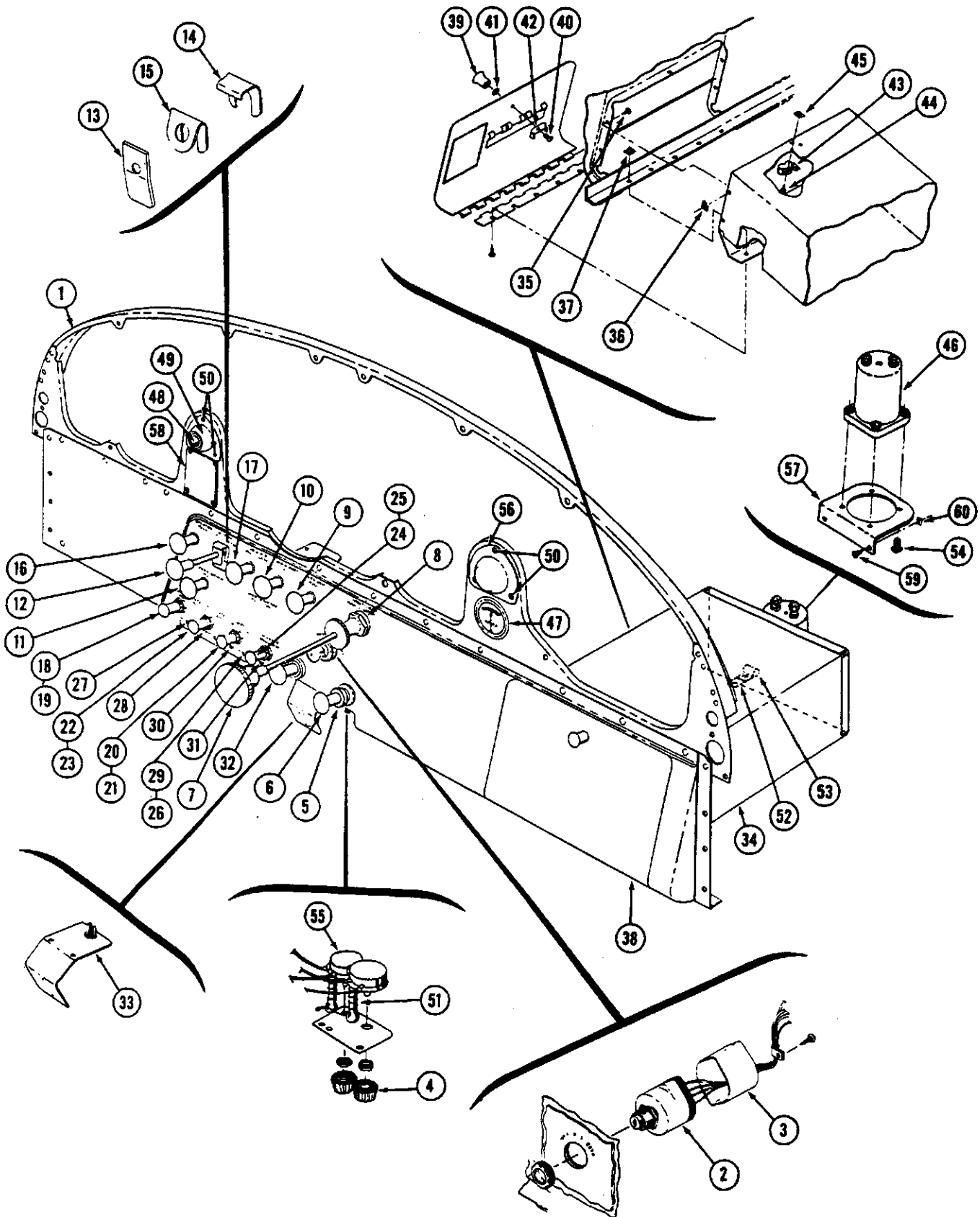


FIGURE 42B. STATIONARY INSTRUMENT PANEL EQUIPMENT (SERIAL 26996 AND ON)

ILLUSTRATED PARTS CATALOG

FIGURE AND INDEX NO.	PARTS NUMBER	DESCRIPTION	UNITS PER ASS'Y
42B-	No Number	Stationary Panel Equipment Installation - (Serial 26996 & on) (0513040 Ref) (see fig. 1 for NHA)	Ref
-1	0513040-23	Panel Assembly - Stationary (see figure 20 for NHA)	1
-2	0311038-2	Switch - Ignition	1
-3	0311777	Shield Assembly	1
-4	0413126-4	Rheostat Assembly - Panel light (with knob)	1
-5	0311538-8	Primer Assembly - Engine	1
-6	0413017-1	Knob - Primer	1
-7	0411091-9	Control - Throttle	2
-8	0513004-16	Adapter - Throttle control	1
-9	0411090-8	Control - Carburetor heat	1
-10	0411090-5	Control - Cabin heat	1
-11	0411090-19	Control - Parking brake	2
-12	0411090-8	Control - Carburetor mixture	1
-13	0413335	Arm - Control lock	1
-14	0413336	Bracket - Control lock	1
-15	0413337	Clip - Control lock	1
-16	0411090-18	Control - Starter	1
-17	0411090-17	Control - Cabin air push-pull	1
-18	0713035	Switch Assembly - Landing light	1
-19	0411092-1	Knob - Landing light switch	1
-20	0713026-4	Switch - Radio	1
-21	0411092-1	Knob - Radio switch	1
-22	0713026-4	Switch - Navigation light	1
-23	0411092-1	Knob - Navigation light switch	1
-24	0713026-5	Switch - Master	1
-25	0411092-1	Knob - Master switch	5
-26	0411023-1	Retainer - Fuse	2
-27	0411023-3	Fuse - 15 amp	1
-28	0411023-2	Fuse - 10 amp	1
-29	0411023-6	Fuse - 20 amp	1
-30	0411023-4	Fuse - 25 amp	1
-31	51142	Plug Button - United Carr	1
-32	0513052-1	Lighter Assembly - Cigar	1
-33	0713203-1	Bracket Assembly - Microphone (optional)	1
-34	0513036-3	Box Assembly - Glove	10
-35	PK76XZ-6-6	Screw - (Attach glove box)	5
-36	A6310-6Z-3	Nut - Tinnerman (attach glove box)	5
-37	A1181-6Z-3	Nut - Tinnerman (attach glove box)	1
-38	0513040-27	Door Assembly - Glove box	1
-38A	0411749-5	Decal - Spare fuse	1
-38B	0413114-1	Decal - Service information	1
-39	0411092-1	Knob - Glove box door	1
-40	AN526-832R5	Screw - (Attach glove box door knob)	1
-41	AN936-A8	Washer - (Attach glove box door knob)	1
-42	0713009-1	Clip - (Attach glove box door knob)	1
-43	0713009-2	Catch - Glove box door	2
-44	PK76XZ-6-6	Screw - (Attach glove box door catch)	2
-45	A1181-6Z-3	Nut - Tinnerman (attach glove box door catch)	1
-46	0511062-10	Indicator - Stall warning	1
-47	0411020-1	Ammeter	1
-48	0411224	Ball - Control tube	2
-49	0411225	Socket - Control tube	6
-50	AN526-632R8	Screw - (Attach control tube socket)	6
	AN365-632	Nut - (Attach control tube socket)	1
-51	60 OHM-10W	Ohmite Resistor	1
-52	0413116-5	Strap	1
	AN3-3A	Bolt - (Attach strap to glove box)	1
	AN365-1032	Nut - (Attach strap to glove box)	1
-53	A3074A-4-92	Clamp - Tinnerman (attach throttle control to strap)	1
	PK76XZ-8-6	Screw - (Attach clamp)	4
-54	AN515B6R12	Screw	1
-55	0413126	Rheostat Assembly	1
-56	0411225-1	Cover	1
-57	0313313-3	Bracket	1
-58	0713200-7	Cover	1
-59	PK76XZ-8-8	Screw	6
-60	A1778-8Z-3	Nut - Tinnerman	6

ILLUSTRATED PARTS CATALOG

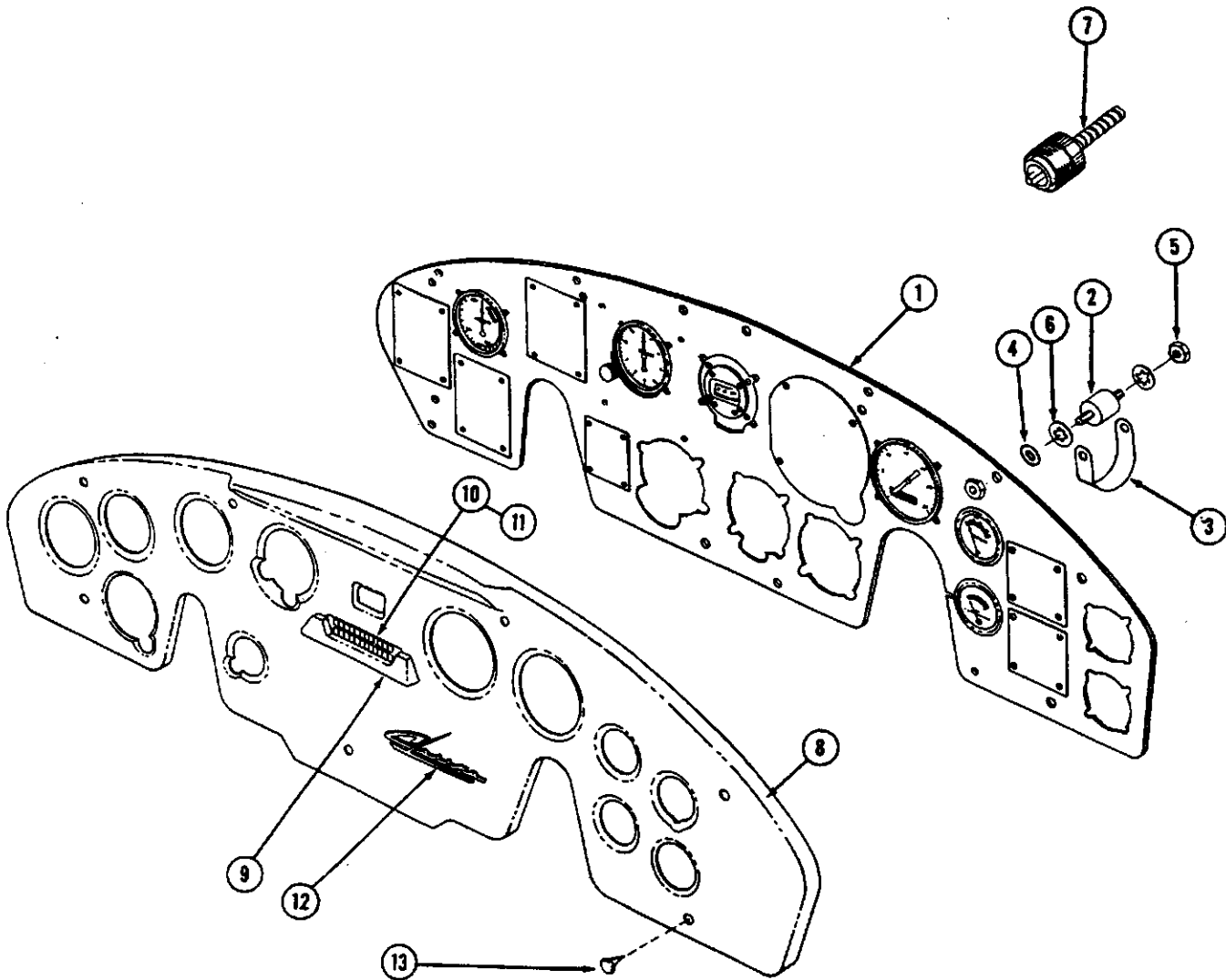


FIGURE 43. SHOCK MOUNTED INSTRUMENT PANEL INSTALLATION (SERIALS 25373 AND ON)

FIGURE AND INDEX NO.	PARTS NUMBER	DESCRIPTION	UNITS PER ASS'Y
43-	No Number	Panel Installation - Shock mounted (serial 25373 & on) (see figure 1 for NHA)	Ref
-1	No Number	Panel Assembly - Shock mounted (see figure 44 for breakdown)	1
-2	0411059-1	Mount - Shock	6
-3	0413247	Strap - Ground	4
-4	0311585	Spacer - (Attach panel)	6
-5	AN340-B8	Nut - (Attach panel)	12
-6	AN936-A8	Washer - (Attach panel)	12
-7	0450017-7	Shaft - Tachometer drive (serial 25373 thru 26027)	1
	0450017-10	Shaft - Tachometer drive (serial 26028 & on)	1
-8	0513004-27	Cover Assembly - Shock mounted panel	1
-9	0713028-1	Retainer - Compass card	1
	AN526-632R4	Screw - (Attach retainer)	2
-10	0713028-2	Card - Compass	1
-11	0713028-3	Cover - Compass card	1
-12	0713212	Insignia - Decorative emblem	1
	A1553-012-3	Nut - Push on (Tinnerman)	3
-13	#49265-F-938	Fastener - (Attach cover) (United Carr)	7

ORDER BY PART NUMBER AND NAME

SERIAL NUMBER AND COLOR IF APPLICABLE

ILLUSTRATED PARTS CATALOG

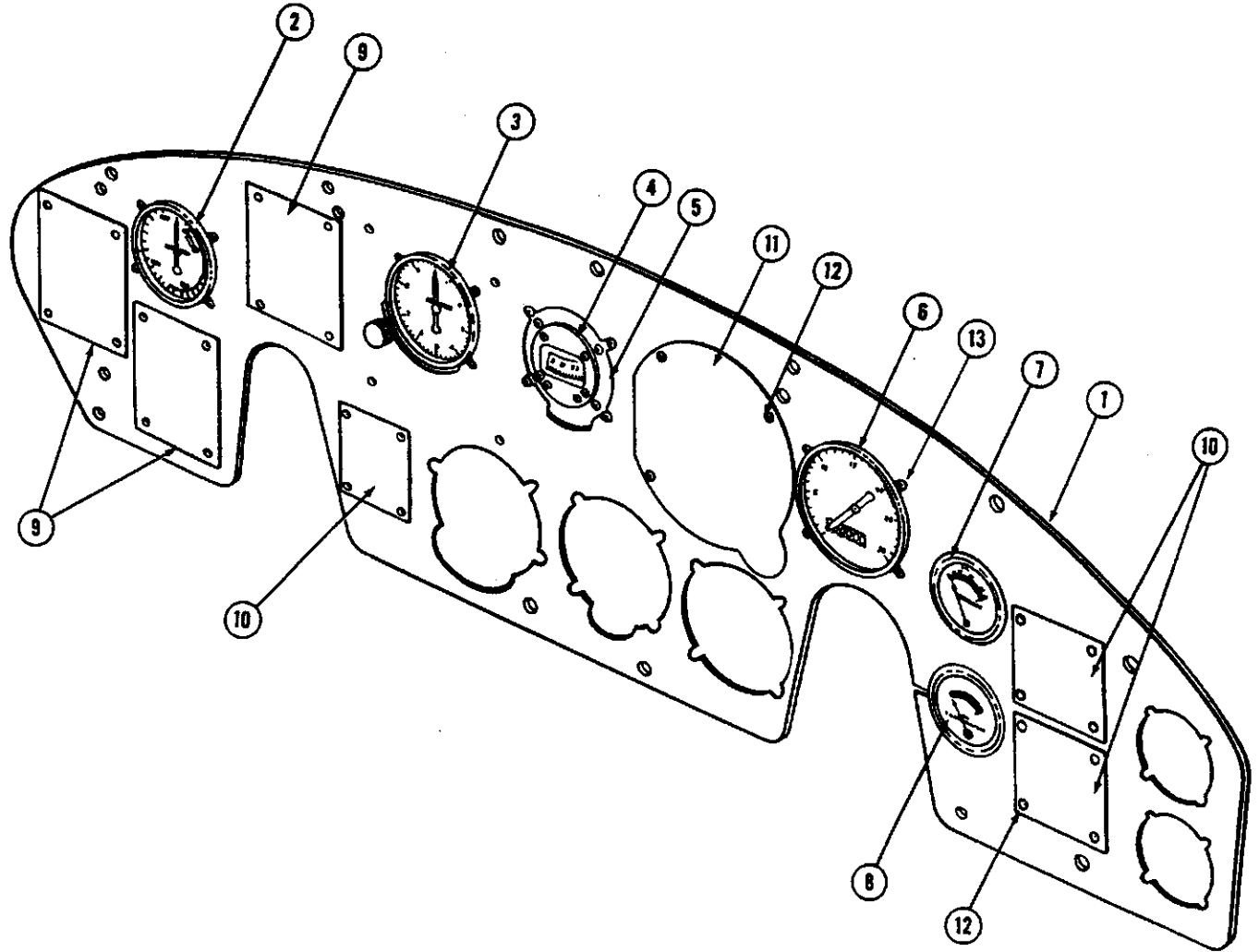


FIGURE 44. SHOCK MOUNTED INSTRUMENT PANEL ASSEMBLY (SERIALS 25373 AND ON)

FIGURE AND INDEX NO.	PARTS NUMBER	DESCRIPTION	UNITS PER ASSY
44-	No Number	Panel Assembly - Shock mounted instrument (0513004 Ref) (serial 25373 & on) (see figure 43 for NHA)	Ref
-1	0513004-11	Panel - Shock mounted instrument	1
-2	0411086-10	Indicator - Airspeed	1
-3	0411007-7	Altimeter	1
-4	0411008-2	Compass	1
-5	0411897-3	Adapter - Compass	1
-6	0411087-20	Tachometer - (Serial 25373 thru 26027)	1
	0411087-22	Tachometer - (Serial 26028 & on)	1
-7	0411016-2	Oil Pressure Gage	1
-8	0411017-3	Oil Temperature Gage	1
-9	0713200-4	Cover	3
-10	0713200-7	Cover	3
-11	0713200-5	Cover	1
-12	99608	Fastener - (Attach cover) (United Carr)	2
-13	AN515B6R	Screw - (Attach instruments)	19
	AN365-632	Nut - (Attach covers & instruments)	42

ORDER BY PART NUMBER AND NAME SERIAL NUMBER AND COLOR IF APPLICABLE

ILLUSTRATED PARTS CATALOG

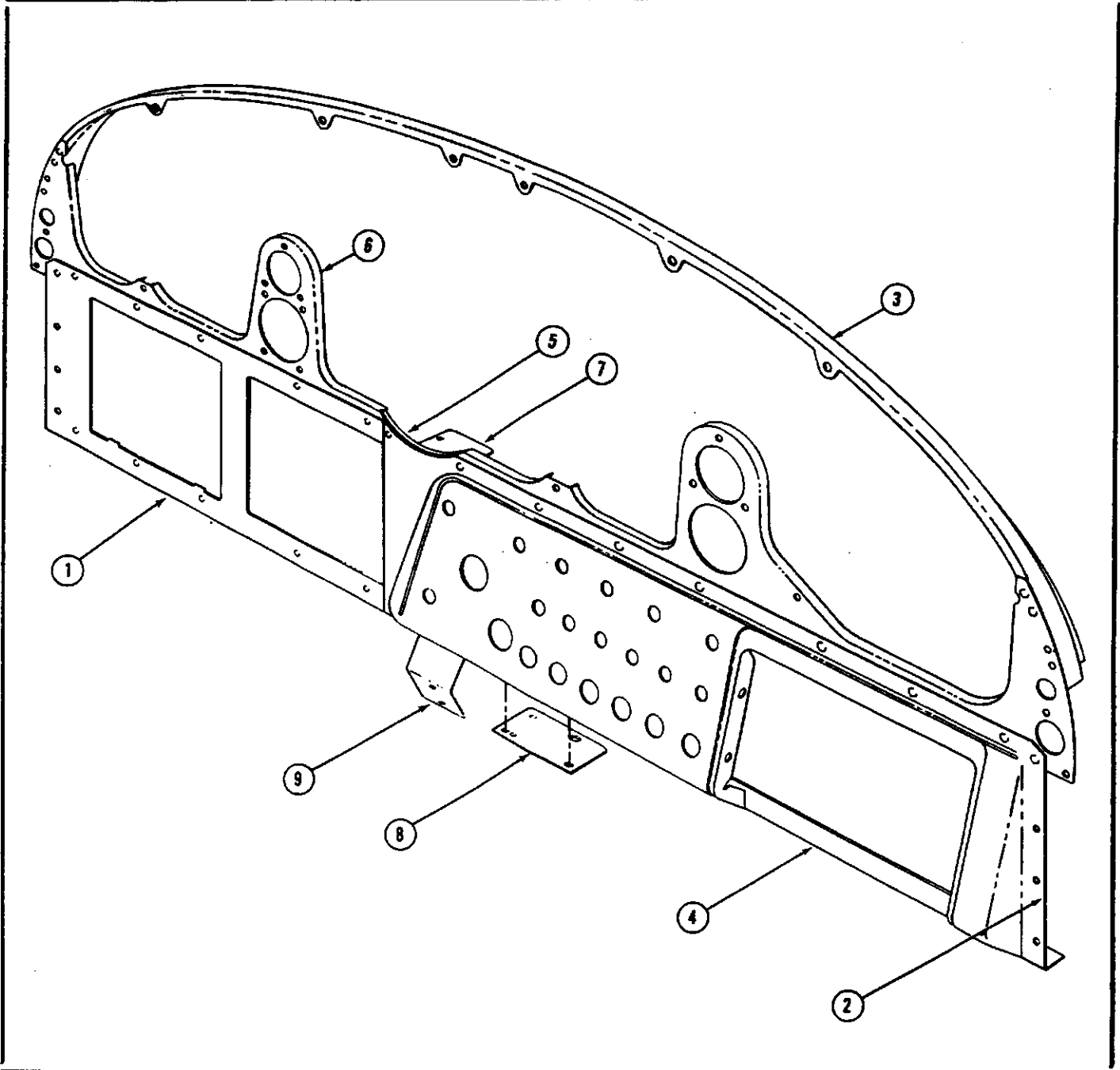


FIGURE 45. STATIONARY INSTRUMENT PANEL ASSEMBLY (SERIAL 25373 THRU 26038)

FIGURE AND INDEX NO.	PARTS NUMBER	DESCRIPTION	UNITS PER ASS'Y
45-	0513004-1	Panel Assembly - Stationary (serial 25373 thru 26038) (see figur. 20 for NHA)	Ref
-1	0513004-2	Panel - Left lower	1
-2	0513004-3	Panel - Right lower	1
-3	0513004-4	Channel - (Top of upper panel)	1
-4	0513004-6	Angle - Right lower stiffener	1
-5	0513004-7	Angle - Right upper stiffener	1
-6	0513004-14	Panel - Upper	1
-7	0513004-21	Bracket - Circuit breaker mounting	1
-8	0413131-3	Bracket - Rheostat mounting	1
-9	0713203-1	Bracket Assembly - Microphone (optional)	1

ILLUSTRATED PARTS CATALOG

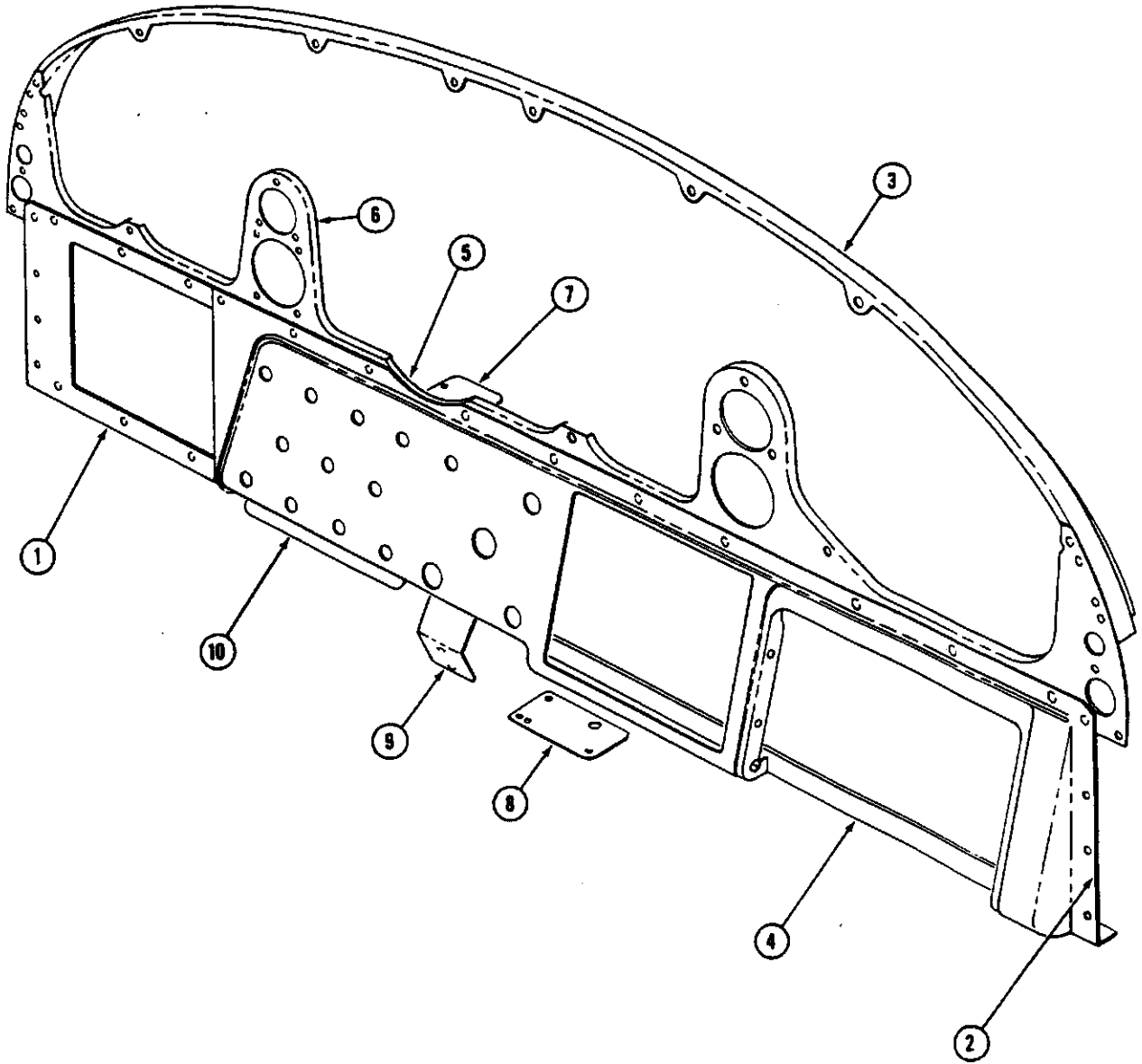


FIGURE 45A. STATIONARY INSTRUMENT PANEL ASSEMBLY (SERIAL 26039 THRU 26995)

FIGURE AND INDEX NO.	PARTS NUMBER	DESCRIPTION	UNITS PER ASS'Y
45A-	0513040-3	Panel Assembly - Stationary (serial 26039 thru 26995) (see figure 20 for NHA)	Ref
-1	0513040-5	Panel - Left lower	1
-2	0513040-4	Panel - Right lower	1
-3	0513004-4	Channel -(Top of upper panel)	1
-4	0513040-6	Angle - Lower stiffener	1
-5	0513040-7	Angle - Upper stiffener	1
-6	0513004-14	Panel - Upper	1
-7	0513004-21	Bracket - Circuit breaker mounting	1
-8	0413131-3	Bracket - Rheostat mounting	1
-9	0713203-1	Bracket Assembly - Microphone (optional)	1
-10	0513042	Panel - Fuse	1
	AN515-8R8	Screw - (Attach fuse panel)	3
	AN365-832	Nut - (Attach fuse panel)	3

ORDER BY PART NUMBER AND NAME SERIAL NUMBER AND COLOR IF APPLICABLE

ILLUSTRATED PARTS CATALOG

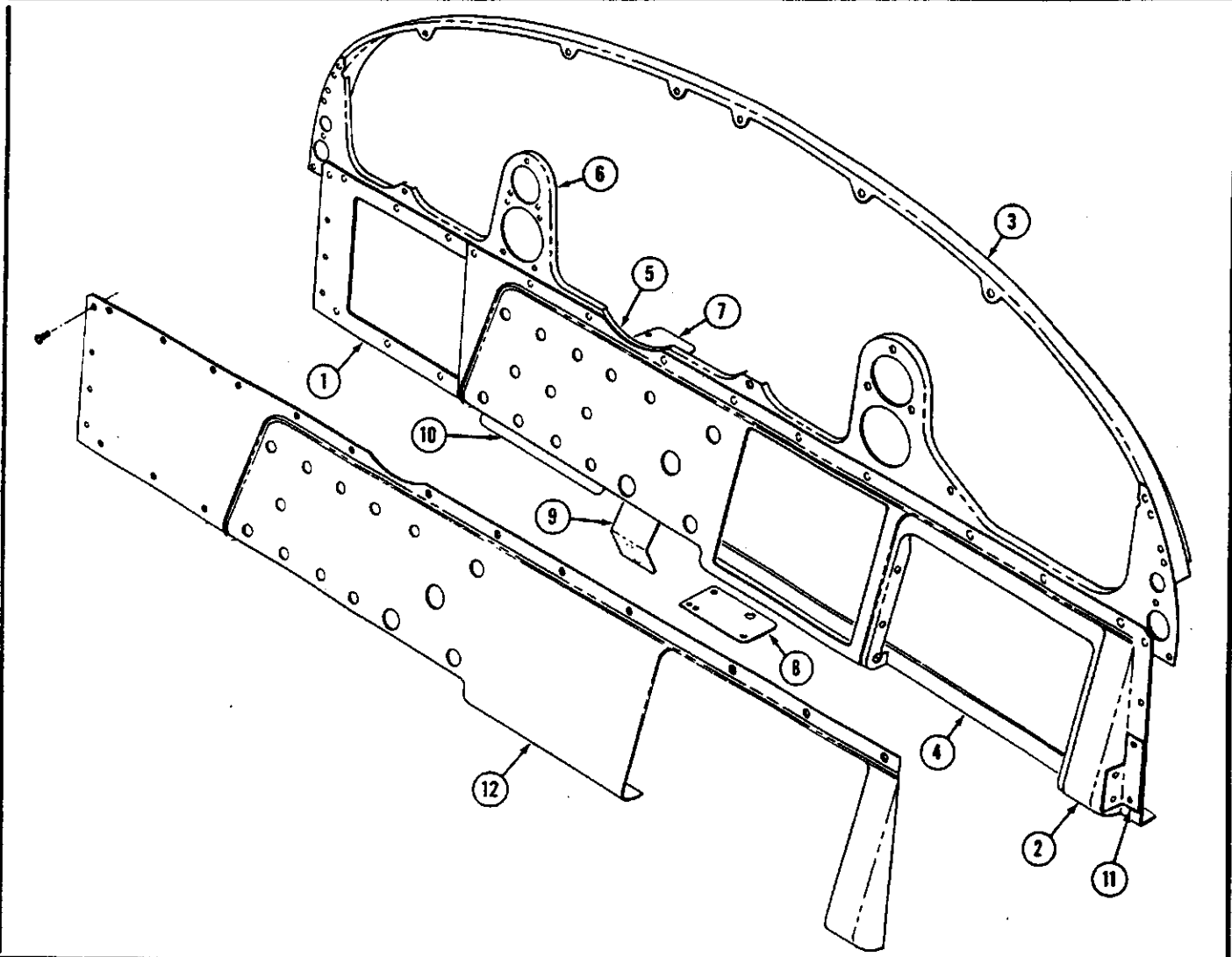


FIGURE 45B. STATIONARY INSTRUMENT PANEL ASSEMBLY (SERIAL 26996 AND ON)

FIGURE AND INDEX NO.	PARTS NUMBER	DESCRIPTION	UNITS PER ASS'Y
45B-	0513040-23	Panel Assembly - Stationary (serial 26996 & on) (see figure 20 for NHA)	Ref
-1	0513040-5	Panel - Left lower	1
-2	0513040-4	Panel - Right lower	1
-3	0513004-4	Channel - (Top of upper panel)	1
-4	0513040-6	Angle - Lower stiffener	1
-5	0513040-7	Angle - Upper stiffener	1
-6	0513004-14	Panel - Upper	1
-7	0513004-21	Bracket - Circuit breaker mounting	1
-8	0413131-3	Bracket - Rheostat mounting	1
-9	0713203-1	Bracket Assembly - Microphone (optional)	1
-10	0513042	Panel - Fuse	1
	AN515-8R8	Screw - (Attach fuse panel)	3
	AN365-832	Nut - (Attach fuse panel)	3
-11	0513040-10	Clip - Panel mounting	1
-12	0513044-3	Panel Cover - Stationary	1

ILLUSTRATED PARTS CATALOG

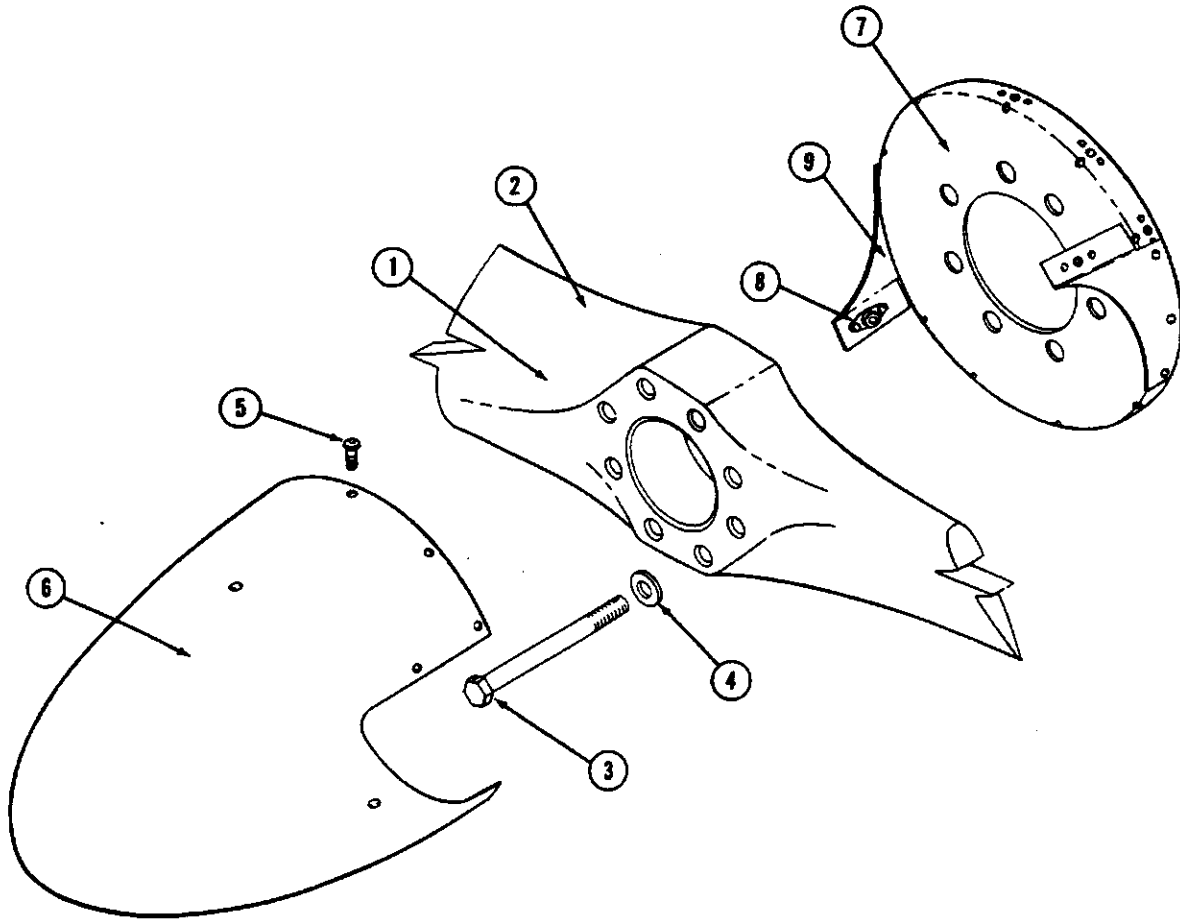


FIGURE 46. PROPELLER INSTALLATION

FIGURE AND INDEX NO.	PARTS NUMBER	DESCRIPTION	UNITS PER ASS'Y
46-	No Number	Propeller Installation (0550102 & 0550104-2 Ref.) (see figure 1 for NHA)	Ref
-1	0450014-6	Propeller - Wood (serial 20267 thru 25372)	1
-2	0411098-6	Propeller - Metal	1
-3	AN6-H-45	Bolt - (Attach propeller)	8
-4	AN960-616	Washer - (Attach propeller)	8
-5	AN526-832R8	Screw - (Attach spinner)	10
-6	AK7053-3	Spinner Kit - Propeller	1
	0550162-7	Spinner Assembly - Forward	1
-7	0550162-3	Plate Assembly - Mounting	1
-8	AN373F832	Nutplate	10
-9	0550162-6	Fillet - (Attach spinner)	2

ORDER BY PART NUMBER AND NAME SERIAL NUMBER AND COLOR IF APPLICABLE

ILLUSTRATED PARTS CATALOG

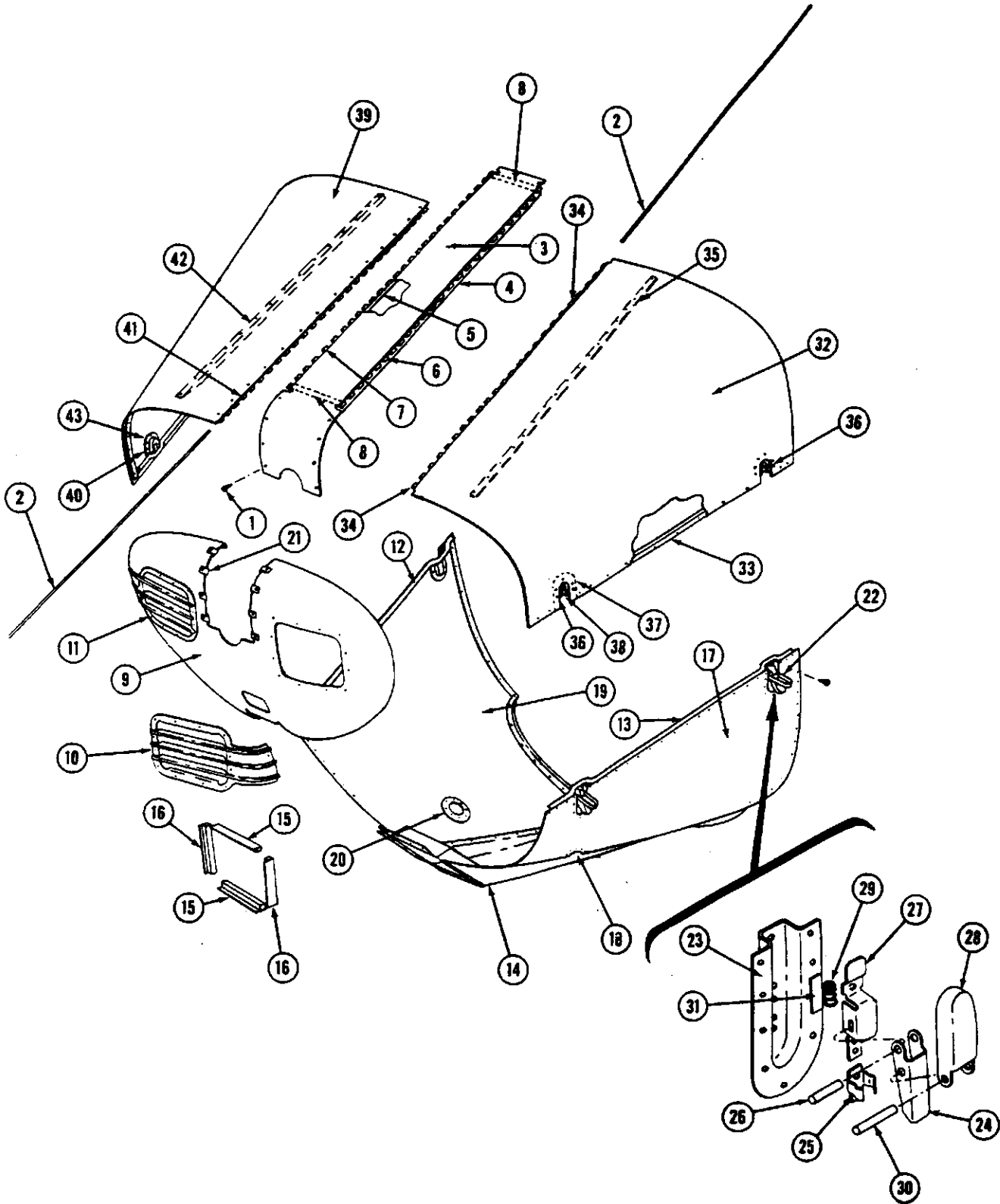


FIGURE 47. ENGINE COWL INSTALLATION (SERIALS 20267 THRU 25372)

ILLUSTRATED PARTS CATALOG

FIGURE AND INDEX NO.	PARTS NUMBER	DESCRIPTION	UNITS PER ASS'Y
47-	No Number	Engine Cowl Installation - (Serial 20267 thru 25372) (0552001 Ref.)(See figure 1 for NHA)	Ref
	PK76XZ-8-8	Screw - (Attach cowl)	20
	0552001	Cowl Assembly	1
-1	PK76XZ-8-8	Screw - (Attach center cowl support)	8
-2	AN253-2-3178	Pin - Cowl hinge	2
	0552001-6	Support Assembly - Center	1
-3	0552001-22	Support - Upper cowl	1
-4	0552001-30	Angle - Support left	1
-5	0552001-31	Angle - Support right	1
-6	0552001-8	Hinge Half - Upper cowl left	1
-7	0552001-7	Hinge Half - Upper cowl right	1
-8	0552001-46	Doubler - Support	2
	0552001-3	Cowl Assembly - Lower	1
	0552001-50	Cowl Assembly - Nose	1
-9	0552001-13	Cowl - Nose	1
-10	0452207	Grill - Nose cowl left	1
-11	0452207-1	Grill - Nose cowl right	1
	0552001-52	Cowl Assembly - Engine lower	1
-12	0552001-11	Angle - R.H. parting	1
-13	0552001-12	Angle - L.H. parting	1
-14	0552001-16	Scoop Assembly - Air	1
-15	0450234-13	Rub Strip	2
-16	0450234-14	Rub Strip	2
-17	0552001-55	Skin Assembly - Lower cowl left	1
-18	0552001-65	Doubler - Cowl skin	1
-19	0552001-56	Skin Assembly - Lower cowl right	1
-20	0552001-65	Doubler - Cowl skin	1
-21	NAS395-14-3	Nut - Tinnerman	8
-22	0452119	Latch Assembly - Cowl fastener	4
-23	0452109	Recess - Cowl latch	1
-24	0452110	Lever - Cowl latch	1
-25	0452111	Clip - Latch lever	1
-26	0452112	Pin - Latch lever	1
-27	0452113	Housing - Latch spring	1
-28	0452114	Hook - Cowl latch	1
-29	0452115	Spring - Cowl latch	1
-30	0452120	Pin - Latch hook	1
-31	0452121	Shim - Cowl latch	1
-32	0552001-4	Hood Assembly - Left	1
-33	0552001-12	Angle - Parting	1
-34	0552001-7	Hinge Half - Hood	1
-35	0552001-49	Stiffener - Cowl hood	1
-36	0452108	Catch Assembly - Cowl fastener	2
-37	0452122	Plate - Fastener	1
-38	0452123	Hook - Fastener	1
-39	0552001-5	Hood Assembly - Right	1
-40	0552001-12	Angle - Parting	1
-41	0552001-8	Hinge Half - Hood	1
-42	0552001-49	Stiffener - Cowl hood	1
-43	0452108	Catch Assembly - Cowl fastener	1

ILLUSTRATED PARTS CATALOG

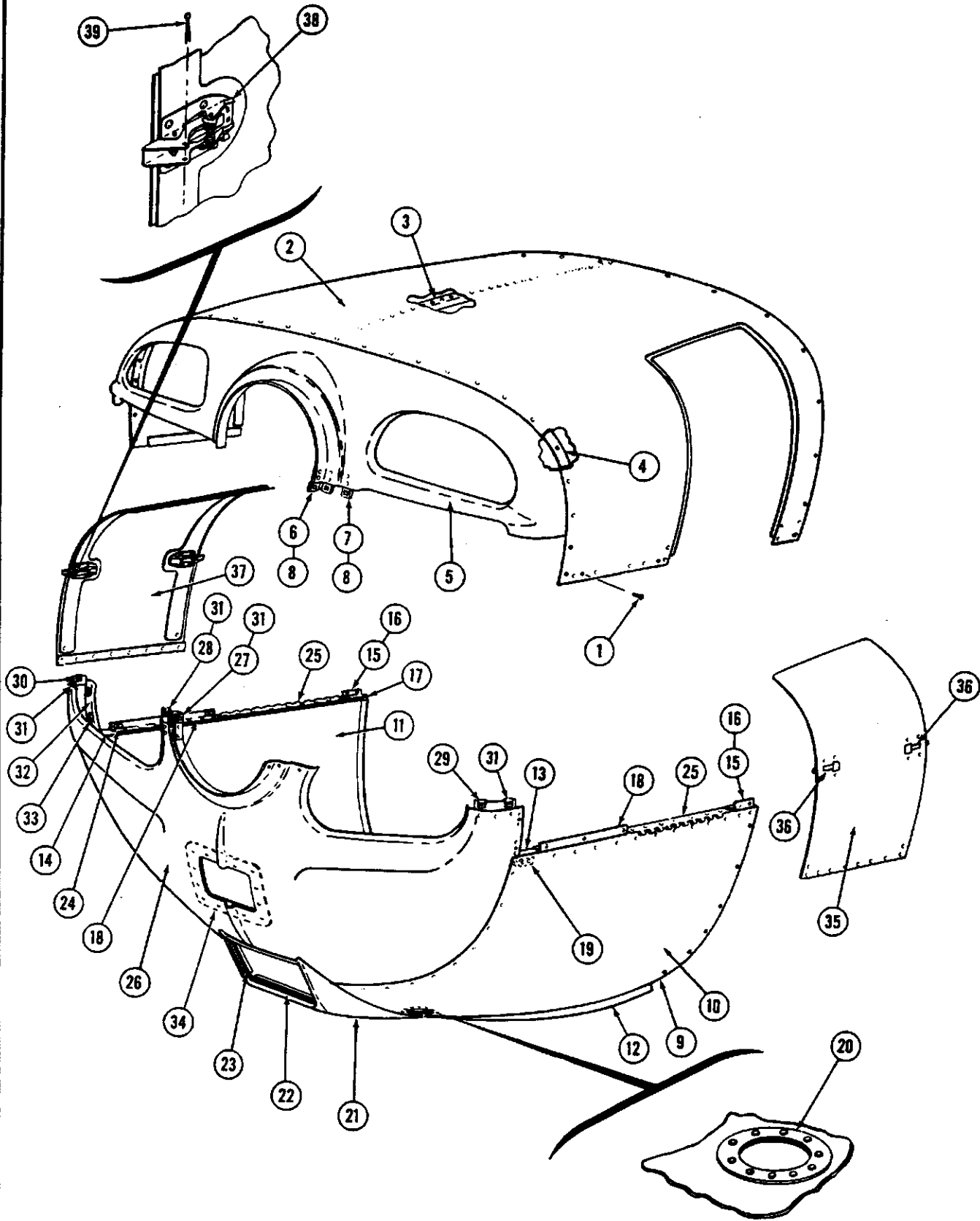


FIGURE 48. ENGINE COWL INSTALLATION (SERIAL 25373 THRU 26995)