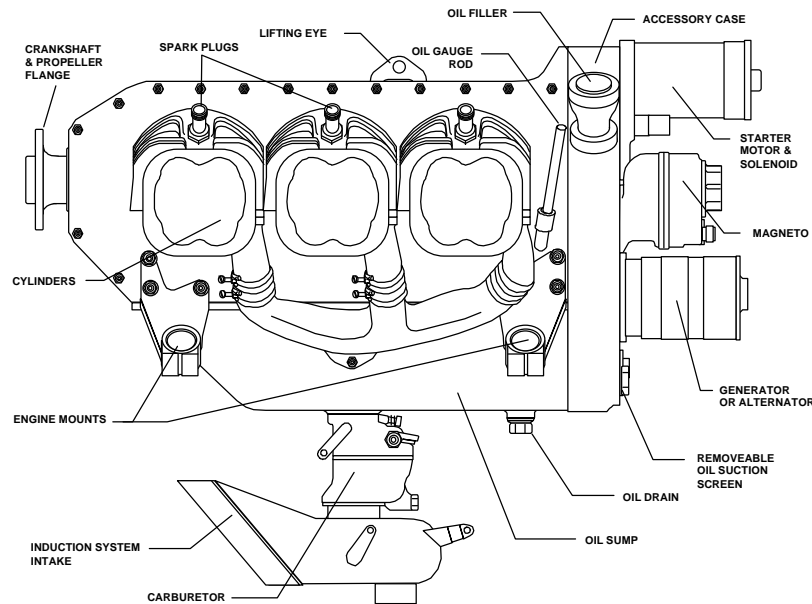


O-300-A, C & D

Type Certificate E-253



The O-300-A, C & D models are six cylinder, carbureted engines producing 145 brake horsepower and have a crankshaft speed of 2700 RPM. The engine has horizontally opposed air cooled cylinders. The engine cylinders have an overhead valve design. The cylinders have updraft intake inlets and downdraft exhaust outlets mounted on the bottom of the cylinder head.

The O-300-A, C & D engines have a 301 cubic inch displacement achieved by using a cylinder design with a 4.06 inch diameter bore and a 3.88 inch stroke. The dry weight of the engine is 248.70 lbs. without accessories. The weight of the engine with installed accessories is approximately 300 lbs.

The O-300-C is identical to the O-300-A except for propeller flange provisions. O-300-D is similar to O-300-C except for Continental right angle automatic engagement starter drive which incorporates a vacuum pump drive.

OVERALL ENGINE DIMENSIONS INCHES	
HEIGHT	27.41
WIDTH	31.50
LENGTH	35.97

ENGINE SPECIFICATIONS O-300-A, C & D

Cylinders

Arrangement Horizontally Opposed
 Number of Cylinders 6
 Compression Ratio 7.0:1
 Firing Order 1-6-3-2-5-4
 Bore (Inches) 4.06
 Stroke (Inches) 3.88
 Piston Displacement (cu. in.) 301

Brake Horsepower

Rated Maximum Continuous Operation 145 BHP @ 2700 RPM

OPERATING LIMITS

Crankshaft Speed - RPM

Rated Maximum Continuous Operation 2700
 Idle Not Available

Manifold Pressure Limit (In. Hg.) Absolute Full Throttle

Fuel Control System Carburetor MS 3SPA

Fuel 80/87 Min.

Oil

TEMPERATURE	AVIATION GRADE	SAE GRADE	MULTI-VISCOSITY
BELOW 40	65	30	10W-30 / 15W-50 / 20W-50
ABOVE 40	80	50	15W-50 / 20W-50 / 20W-60

Oil Pressure

Idle, Minimum, psi 5
 Normal Operation, psi 30-60

Oil Sump Capacity (U.S. Quarts) 8

Max. Oil Consumption (Lb./BHP/Hr. Max.)006 X % Power
 100

Oil Temperature Limits

Minimum for Take-Off 75° F
 Maximum Allowable 225° F

Cylinder Head Temperature

Recommended Max. at Cruise 420° F
 Limit 525° F

Ignition Timing (Compression Stroke, Breaker Opens)

Right Magneto, Degrees BTC 26
 Left Magneto, Degrees BTC 28

Spark Plug

TCM 627643
 Champion REM40E



CONTINENTAL MOTORS